

Connect Gemi 15° Linear Grazer

AC LINEAR LIGHT SYSTEM High-performance DMX Exterior LED grazer

General Information

Mains 100 to 277VAC Input Plug and Play linear system
Module lengths 305mm, 1219mm
Single Colour White 2200k, 2700k, 3000k, 3500k, 4000k
Dynamic White
RGB W(3000k)
RGBA
CRI>80
15° Linear Grazer
Interior/Exterior IP66
Tiltable



Available with the following technology options:

- 'Coda' - Intuitive RDM Protocol
- 'Forte' - Power Balance ZCL
- 'Tone' - RGB+W White Balance
- 'Sense' - SIP Settable White (Patented)
- 'Shift' - SIP/Bluetooth Settable Colour (Patent Pending)
- 'Token' - DMX PT-Auto Addressing (Patented)

'Shift' = SIP/Bluetooth Settable Color (Patent Pending)

Make your lighting the same colour hue as your corporate colour? With Shift, it is now as easy as point and click.

Take your smart phone and snap a shot, tap the phone on the Arco Illumination Shift enabled fixture and see the result in real time. No complicated and frustrating back and forth communication with your designer or integrator. Just your smart phone and an Arco fixture is all you need.

'Coda' = Intuitive RDM Protocol

Remote Device Manage (RDM), has gradually become a great tool in Architectural LED control projects. With theatrical application as its origin, RDM is strict in protocol definition and it is very challenging to comply fully to all standards.

Coda firmware passes more than 16,000 items tested via Plugfest and is proven to be 100% RDM compatible. Coda provides multiple personalities and great architectural lighting features like Hue, Saturation, and Value control.

'Forte' = Power Balance ZCL

RGBW LED fixtures can create dynamic and dramatic colour changing lighting effect while possessing the capability of also offering white illumination. However, typical RGBW fixtures have limited power in individual R,G,B,W colour allocation as it has to divide the power by 4. Though functional and eventful to create dynamic colour changing light effects, it often lacks the "punch" and brightness in individual static colour/white light presentations. With Forta technology there is no longer such a compromise. Forta RGBW fixtures deliver individual colour at a balanced maximum power that the fixture supports thus offering abundant light in all colour lighting applications.

'Tone' = RGB+W White Balance

White light can be created by the mixing of Red, Green and Blue. To create a high CRI pure white of various colour temperature (CCT), not only does the control formula need to be mathematically correct but it also takes ingenious programming and optical design combined with a well-controlled production process.

Tone delivers true, white-balanced illumination tuned along the black body curve offering you the most pure of whites.

'Sense' = SIP Settable White (Patented)

To match the colour temperature with the decoration and/or scenes is crucial in the design process, but to have complicated and expensive CCT tuneable white system/luminaries installed for often one-time setup is a waste of resources and is tedious. Sense fixtures don't need a data wire nor control system. With a swipe and tap of your phone in the installation stage, you can tune the CCT to your desired setup.

'Token' = DMX PT-Auto Addressing (Patented)

A unique approach to fixture auto addressing.

Specifications

Due to continuous improvements and innovations, specifications may change without notice.

| Output | Condition |
|--|---|
| Beam Angle (frosted) | 15° |
| Beam Angle (optional) | See additional Gemi specification |
| Lumens* DW 2700K CCT (80CRI) | 2,150lm |
| Lumens* DW 3000K CCT (80CRI) | 2,800lm |
| Lumens* DW 3500K CCT (80CRI) | 3,250lm |
| Lumens* DW 4000K CCT (80CRI) | 3,290lm |
| Lumens* Native (full on) | 2080lm |
| Lumens* Red (624-634nm) | 615lm |
| Lumens* Green (520-540nm) | 4600lm |
| Lumens* Royal Blue (440-460nm) | 720m |
| Lumens* White (RGBW Model, 3000K CCT, 80CRI) | 3,900lm |
| Lumens* PC Amber (RGBA Model) | N/A |
| Efficacy* (native, full-on, lm/W) | 40lm/W |
| LED Channels (4) | Red, Green, Royal Blue, White (3000K) or PC Amber |

| Electrical | Condition |
|-------------------|---|
| Input Voltage | 100 to 277VAC, auto-ranging, 50/60Hz |
| Power Consumption | 49.2w/m Typ |
| Power Factor | 0.99 @ 120VAC, 0.90 @ 277VAC |
| Surge | 4kV maximum common (Gnd to L, Gnd to N) |

| Control | Condition |
|--------------------------------|---------------------|
| Luminaire | DMX (RDM compliant) |
| Control System | Provided by Others |
| Interface | Provided by Others |
| Remote Monitoring & Management | Provided by Others |

*Calculated Values: 1219mm / 48 inch

The luminous flux, radiant power, chromaticity, forward voltage and CRI measurements in this document are calculated specifications only. Actual results will vary within tolerance of +/- 5%

Specifications

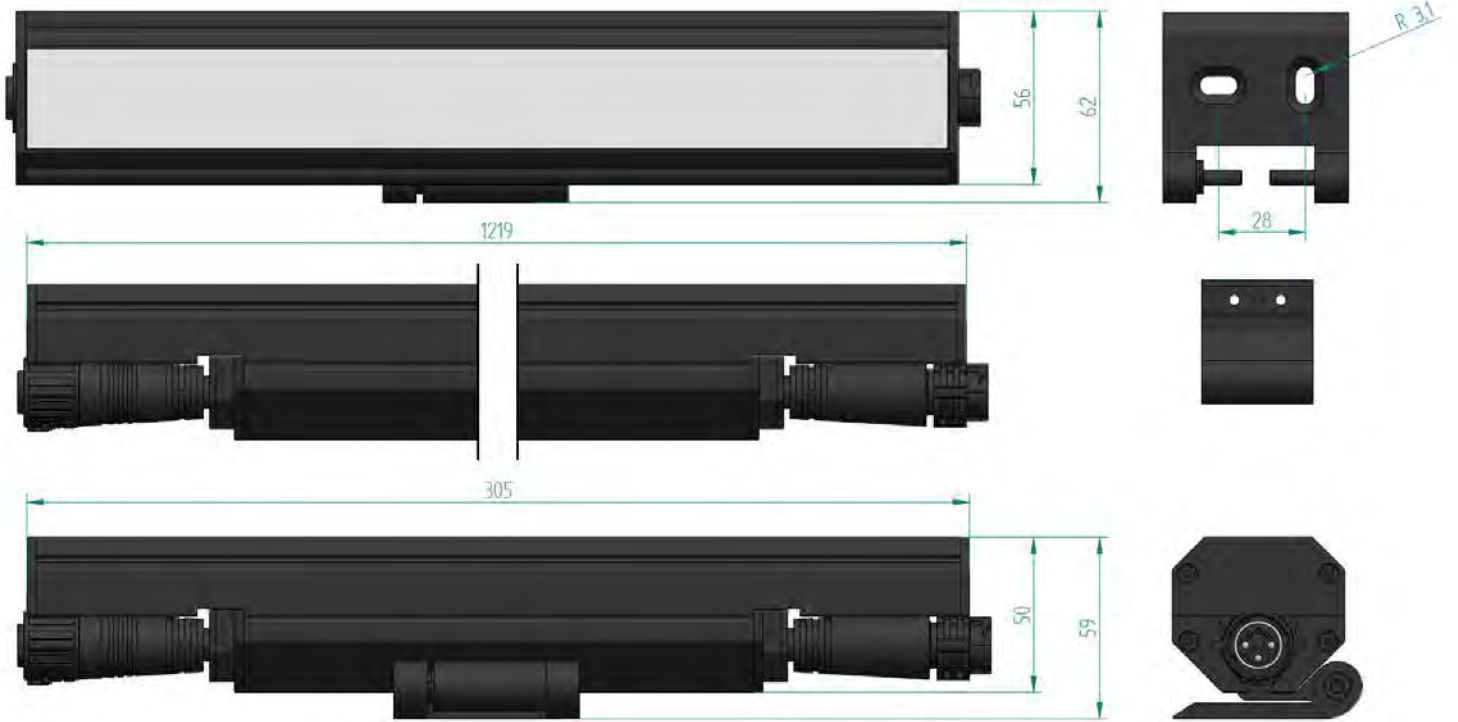
Due to continuous improvements and innovations, specifications may change without notice.

| Physical | Condition |
|--------------------------------------|---|
| Dimensions (Height x Width x Length) | 59 x 62 x 305/1219mm (2.3 x 2.4 x 12/48inch) |
| Weight | 1.0 kg (2.2 lb) 305mm, 3.2 kg (7.0 lb) 1219mm |
| Housing Material | Extruded aluminum, black powder-coated finish |
| Lens | Clear tempered glass |
| Connections | Integral male/female quick connectors |

| Environment | Condition |
|----------------------|--|
| Temperature Ranges | -40 to 50° C (-40 to 122° F) Operating |
| | -20 to 50° C (-4 to 122° F) Startup |
| | -40 to 80° C (-40 to 176° F) Storage |
| Vibration Resistance | Complies with ANSI C136.31, 3G |
| Impact (Mechanical) | IK08 (IK10 with Wire Rock Guard accessory) |
| Corrosion Resistance | Complies with ASTM B117 standard for > 1,500 hours |
| Humidity | 0 to 95%, non-condensing |

| Certification & Safety | Condition |
|------------------------|-----------------------------|
| Approbation | ETL, CE |
| Environment | Dry/Damp/Wet Location, IP66 |

Dimensions



Photometrics

15° Clear, 1219mm

| Photometric Data | | Condition |
|-------------------|--------------|-----------|
| Beam Angle | 17.2° | |
| LED | RGBW (3000K) | |
| Lumens (lm) | 2,064lm | |
| Input Power (W) | 52W | |
| Efficacy (lm/W) | 39.7lm/W | |
| Peak Candela (Cd) | 13,880Cd | |

| Zone | Lumens | % Luminaire |
|--------|---------|-------------|
| 0-30 | 1,679.3 | 82.1 |
| 0-40 | 1,827.0 | 89.4 |
| 0-60 | 1,994.8 | 97.6 |
| 60-90 | 47.3 | 2.3 |
| 70-100 | 13.9 | 0.7 |
| 90-120 | 2.1 | 0.1 |
| 0-90 | 2,042.1 | 99.9 |
| 90-180 | 2.1 | 0.1 |
| 0-180 | 2,044.2 | 100 |

| | Center Beam (fc/lx) | Beam Width (cm) |
|------|---------------------|-----------------|
| 1.5m | 571.35 / 6149.96 | 45.37 |
| 2.0m | 321.38 / 3459.35 | 60.49 |
| 4.0m | 80.35 / 864.84 | 120.99 |
| 4.5m | 63.48 / 683.33 | 136.11 |
| 6.0m | 35.71 / 384.37 | 181.48 |

Luminaire and Accessories

| Luminaire | Item Code |
|--|-----------------------|
| 305mm Outdoor RGBW 15° Linear Graze (DMX-RDM) | M11-00000764-0001-002 |
| 1219mm Outdoor RGBW 15° Linear Graze (DMX-RDM) | M11-00000765-0001-002 |
| 305mm Outdoor RGBA 15° Linear Graze (DMX-RDM) | M11-00000764-0001-001 |
| 1219mm Outdoor RGBA 15° Linear Graze (DMX-RDM) | M11-00000765-0001-001 |

| Accessories | Item Code |
|-------------------------|-------------------|
| 10' Starter Cable + Cap | T16-00000328-0001 |
| 2' Jumper Cable | T16-00000329-0001 |
| Data Terminator Plug | T16-00000326-0001 |

Architectural FX Ltd
Unit 10 Longshot Lane Bracknell RG12 1RL
T +44 (0) 1344 291536
E info@afx.lighting
W www.afx.lighting

All rights reserved. Specifications are subject to change without notice. No representation or warranty as to the accuracy or completeness of the information included herein is given and any liability for any action in reliance thereon is disclaimed.

Connect Gemi

17x35° Linear Grazer

AC LINEAR LIGHT SYSTEM

High-performance DMX Exterior LED grazer

General Information

Mains 100 to 277VAC Input Plug and Play linear system
Module lengths 305mm, 1219mm
Single Colour White 2200k, 2700k, 3000k, 3500k, 4000k
Dynamic White
RGB W(3000k)
RGBA
CRI>80
17x35° Linear Grazer
Interior/Exterior IP66
Tiltable



Available with the following technology options:

- 'Coda' - Intuitive RDM Protocol
- 'Forte' - Power Balance ZCL
- 'Tone' - RGB+W White Balance
- 'Sense' - SIP Settable White (Patented)
- 'Shift' - SIP/Bluetooth Settable Colour (Patent Pending)
- 'Token' - DMX PT-Auto Addressing (Patented)

'Shift' = SIP/Bluetooth Settable Color (Patent Pending)

Make your lighting the same colour hue as your corporate colour? With Shift, it is now as easy as point and click.

Take your smart phone and snap a shot, tap the phone on the Arco Illumination Shift enabled fixture and see the result in real time. No complicated and frustrating back and forth communication with your designer or integrator. Just your smart phone and an Arco fixture is all you need.

'Coda' = Intuitive RDM Protocol

Remote Device Manage (RDM), has gradually become a great tool in Architectural LED control projects. With theatrical application as its origin, RDM is strict in protocol definition and it is very challenging to comply fully to all standards.

Coda firmware passes more than 16,000 items tested via Plugfest and is proven to be 100% RDM compatible. Coda provides multiple personalities and great architectural lighting features like Hue, Saturation, and Value control.

'Forte' = Power Balance ZCL

RGBW LED fixtures can create dynamic and dramatic colour changing lighting effect while possessing the capability of also offering white illumination. However, typical RGBW fixtures have limited power in individual R,G,B,W colour allocation as it has to divide the power by 4. Though functional and eventful to create dynamic colour changing light effects, it often lacks the "punch" and brightness in individual static colour/white light presentations. With Forta technology there is no longer such a compromise. Forta RGBW fixtures deliver individual colour at a balanced maximum power that the fixture supports thus offering abundant light in all colour lighting applications.

'Tone' = RGB+W White Balance

White light can be created by the mixing of Red, Green and Blue. To create a high CRI pure white of various colour temperature (CCT), not only does the control formula need to be mathematically correct but it also takes ingenious programming and optical design combined with a well-controlled production process.

Tone delivers true, white-balanced illumination tuned along the black body curve offering you the most pure of whites.

'Sense' = SIP Settable White (Patented)

To match the colour temperature with the decoration and/or scenes is crucial in the design process, but to have complicated and expensive CCT tuneable white system/luminaries installed for often one-time setup is a waste of resources and is tedious. Sense fixtures don't need a data wire nor control system. With a swipe and tap of your phone in the installation stage, you can tune the CCT to your desired setup.

'Token' = DMX PT-Auto Addressing (Patented)

A unique approach to fixture auto addressing.

Specifications

Due to continuous improvements and innovations, specifications may change without notice.

| Output | Condition |
|--|---|
| Beam Angle (frosted) | 17 x 35° |
| Beam Angle (optional) | See additional Gemi specification |
| Lumens* DW 2700K CCT (80CRI) | 1,960lm |
| Lumens* DW 3000K CCT (80CRI) | 2,600lm |
| Lumens* DW 3500K CCT (80CRI) | 3,175lm |
| Lumens* DW 4000K CCT (80CRI) | 3,200lm |
| Lumens* Native (full on) | 1,980lm |
| Lumens* Red (624-634nm) | 560lm |
| Lumens* Green (520-540nm) | 4,365lm |
| Lumens* Royal Blue (440-460nm) | 640lm |
| Lumens* White (RGBW Model, 3000K CCT, 80CRI) | 3,680lm |
| Lumens* PC Amber (RGBA Model) | N/A |
| Efficacy* (native, full-on, lm/W) | 38lm/W |
| LED Channels (4) | Red, Green, Royal Blue, White (3000K) or PC Amber |

| Electrical | Condition |
|-------------------|---|
| Input Voltage | 100 to 277VAC, auto-ranging, 50/60Hz |
| Power Consumption | 49.2w/m Typ |
| Power Factor | 0.99 @ 120VAC, 0.90 @ 277VAC |
| Surge | 4kV maximum common (Gnd to L, Gnd to N) |

| Control | Condition |
|--------------------------------|---------------------|
| Luminaire | DMX (RDM compliant) |
| Control System | Provided by Others |
| Interface | Provided by Others |
| Remote Monitoring & Management | Provided by Others |

*Calculated Values: 1219mm / 48 inch

The luminous flux, radiant power, chromaticity, forward voltage and CRI measurements in this document are calculated specifications only. Actual results will vary within tolerance of +/- 5%

Specifications

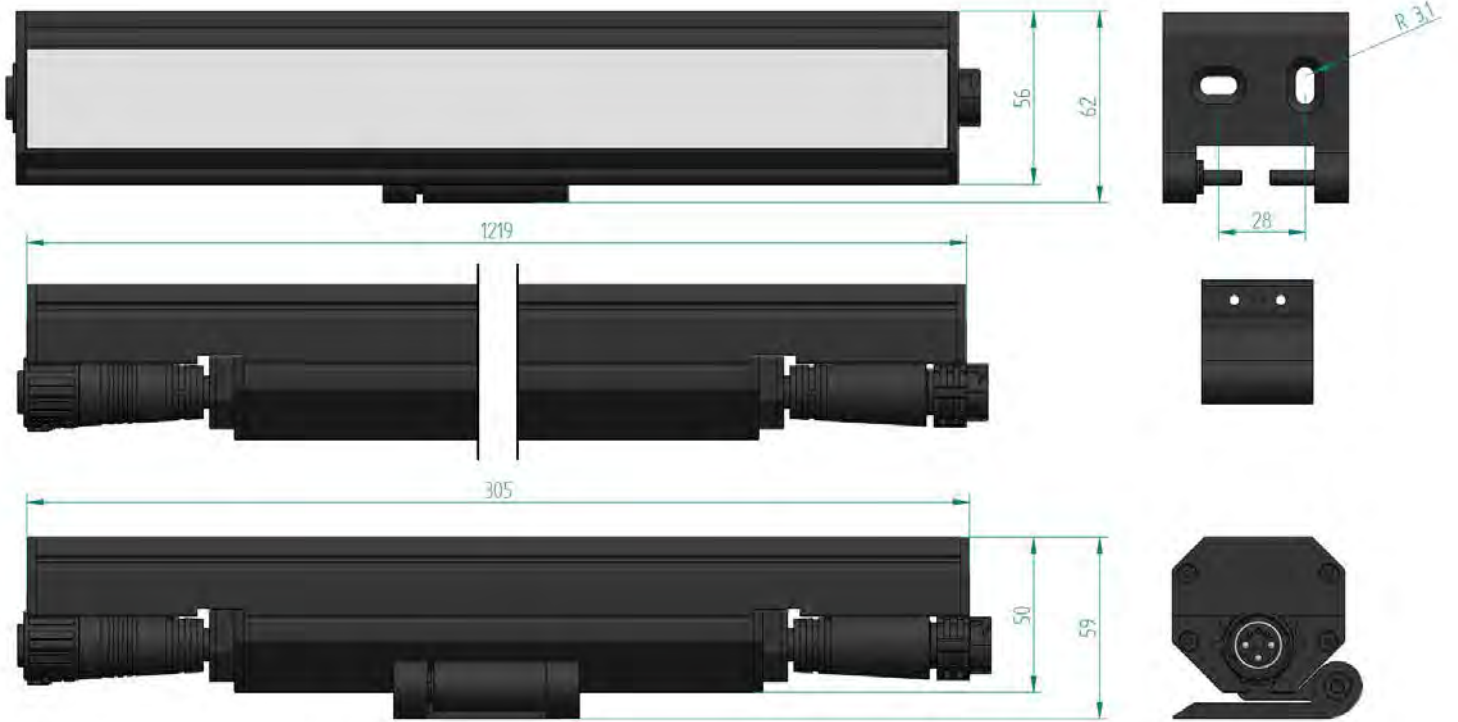
Due to continuous improvements and innovations, specifications may change without notice.

| Physical | Condition |
|--------------------------------------|---|
| Dimensions (Height x Width x Length) | 59 x 62 x 305/1219mm (2.3 x 2.4 x 12/48inch) |
| Weight | 1.0 kg (2.2 lb) 305mm, 3.2 kg (7.0 lb) 1219mm |
| Housing Material | Extruded aluminum, black powder-coated finish |
| Lens | Clear tempered glass |
| Connections | Integral male/female quick connectors |

| Environment | Condition |
|----------------------|--|
| Temperature Ranges | -40 to 50° C (-40 to 122° F) Operating |
| | -20 to 50° C (-4 to 122° F) Startup |
| | -40 to 80° C (-40 to 176° F) Storage |
| Vibration Resistance | Complies with ANSI C136.31, 3G |
| Impact (Mechanical) | IK08 (IK10 with Wire Rock Guard accessory) |
| Corrosion Resistance | Complies with ASTM B117 standard for > 1,500 hours |
| Humidity | 0 to 95%, non-condensing |

| Certification & Safety | Condition |
|------------------------|-----------------------------|
| Approbation | ETL, CE |
| Environment | Dry/Damp/Wet Location, IP66 |

Dimensions



Photometrics

17x35° Clear, 1219mm

| Photometric Data | | Condition |
|-------------------|--------------|-----------|
| Beam Angle | 16.9 x 35.9° | |
| LED | RGBW (3000K) | |
| Lumens (lm) | 1,970 | |
| Input Power (W) | 52W | |
| Efficacy (lm/W) | 37.9lm/W | |
| Peak Candela (Cd) | 6,705Cd | |

| Zone | Lumens | % Luminaire |
|--------|---------|-------------|
| 0-30 | 1,607.9 | 82.0 |
| 0-40 | 1,806.8 | 92.1 |
| 0-60 | 1,929.4 | 98.4 |
| 60-90 | 29.3 | 1.5 |
| 70-100 | 11.5 | 0.6 |
| 90-120 | 1.9 | 0.1 |
| 0-90 | 1,958.8 | 99.9 |
| 90-180 | 1.9 | 0.1 |
| 0-180 | 1,960.7 | 100 |

| | Center Beam (fc/lx) | Beam Width (cm) |
|------|---------------------|-----------------|
| 1.5m | 276.83 / 2,979.82 | 70.36 |
| 2.0m | 155.72 / 1,676.15 | 93.82 |
| 4.0m | 38.93 / 419.04 | 187.64 |
| 4.5m | 30.76 / 331.09 | 211.09 |
| 6.0m | 17.30 / 186.24 | 281.46 |

Luminaire and Accessories

| Luminaire | Item Code |
|---|-----------------------|
| 305mm Outdoor RGBW 17x35° Linear Graze (DMX-RDM) | M11-00000535-0001-002 |
| 1219mm Outdoor RGBW 17x35° Linear Graze (DMX-RDM) | M11-00000536-0001-002 |
| 305mm Outdoor RGBA 17x35° Linear Graze (DMX-RDM) | M11-00000535-0001-001 |
| 1219mm Outdoor RGBA 17x35° Linear Graze (DMX-RDM) | M11-00000536-0001-001 |

| Accessories | Item Code |
|-------------------------|-------------------|
| 10' Starter Cable + Cap | T16-00000328-0001 |
| 2' Jumper Cable | T16-00000329-0001 |
| Data Terminator Plug | T16-00000326-0001 |

Connect Rosi 15° Linear Grazer

AC LINEAR LIGHT SYSTEM High-performance DMX Interior LED grazer

General Information

Mains 100 to 277VAC Input Plug and Play linear system
Module lengths 305mm, 1219mm
Single Colour White 2200k, 2700k, 3000k, 3500k, 4000k
Dynamic White
RGB W(3000k)
RGBA
CRI>80
15° Linear Grazer
Interior IP40
Tiltable



Available with the following technology options:

- 'Coda' - Intuitive RDM Protocol
- 'Forte' - Power Balance ZCL
- 'Tone' - RGB+W White Balance
- 'Sense' - SIP Settable White (Patented)
- 'Shift' - SIP/Bluetooth Settable Colour (Patent Pending)
- 'Token' - DMX PT-Auto Addressing (Patented)

'Shift' = SIP/Bluetooth Settable Color (Patent Pending)

Make your lighting the same colour hue as your corporate colour? With Shift, it is now as easy as point and click.

Take your smart phone and snap a shot, tap the phone on the Arco Illumination Shift enabled fixture and see the result in real time. No complicated and frustrating back and forth communication with your designer or integrator. Just your smart phone and an Arco fixture is all you need.

'Coda' = Intuitive RDM Protocol

Remote Device Manage (RDM), has gradually become a great tool in Architectural LED control projects. With theatrical application as its origin, RDM is strict in protocol definition and it is very challenging to comply fully to all standards.

Coda firmware passes more than 16,000 items tested via Plugfest and is proven to be 100% RDM compatible. Coda provides multiple personalities and great architectural lighting features like Hue, Saturation, and Value control.

'Forte' = Power Balance ZCL

RGBW LED fixtures can create dynamic and dramatic colour changing lighting effect while possessing the capability of also offering white illumination. However, typical RGBW fixtures have limited power in individual R,G,B,W colour allocation as it has to divide the power by 4. Though functional and eventful to create dynamic colour changing light effects, it often lacks the "punch" and brightness in individual static colour/white light presentations. With Forta technology there is no longer such a compromise. Forta RGBW fixtures deliver individual colour at a balanced maximum power that the fixture supports thus offering abundant light in all colour lighting applications.

'Tone' = RGB+W White Balance

White light can be created by the mixing of Red, Green and Blue. To create a high CRI pure white of various colour temperature (CCT), not only does the control formula need to be mathematically correct but it also takes ingenious programming and optical design combined with a well-controlled production process.

Tone delivers true, white-balanced illumination tuned along the black body curve offering you the most pure of whites.

'Sense' = SIP Settable White (Patented)

To match the colour temperature with the decoration and/or scenes is crucial in the design process, but to have complicated and expensive CCT tuneable white system/luminaries installed for often one-time setup is a waste of resources and is tedious. Sense fixtures don't need a data wire nor control system. With a swipe and tap of your phone in the installation stage, you can tune the CCT to your desired setup.

'Token' = DMX PT-Auto Addressing (Patented)

A unique approach to fixture auto addressing.

Specifications

Due to continuous improvements and innovations, specifications may change without notice.

| Output | Condition |
|--|---|
| Beam Angle | 15° |
| Beam Angle (optional) | See additional Rosi specification |
| Lumens* DW 2700K CCT (80CRI) | 720 lm/m |
| Lumens* DW 3000K CCT (80CRI) | 1150 lm/m |
| Lumens* DW 3500K CCT (80CRI) | 1100 lm/m |
| Lumens* DW 4000K CCT (80CRI) | 833 lm/m |
| Lumens* 100% | 1340 lm/m |
| Lumens* Red (624-634nm) | 606 lm/m |
| Lumens* Green (520-540nm) | 1340 lm/m |
| Lumens* Royal Blue (440-460nm) | 440 lm/m |
| Lumens* White (RGBW Model, 3000K CCT, 80CRI) | 1150 lm/m |
| Lumens* PC Amber (RGBA Model) | xxx lm/m |
| Efficacy* (native, full-on, lm/W) | 32lm/W |
| LED Channels (4) | Red, Green, Royal Blue, White (3000K) or PC Amber |

| Electrical | Condition |
|-------------------|---|
| Input Voltage | 100 to 277VAC, auto-ranging, 50/60Hz |
| Power Consumption | 10W Typ (per linear foot, steady state) |
| Power Factor | 0.99 @ 120VAC, 0.90 @ 277VAC |
| Surge | 4kV maximum common (Gnd to L, Gnd to N) |

| Control | Condition |
|--------------------------------|---------------------|
| Luminaire | DMX (RDM compliant) |
| Control System | Provided by Others |
| Interface | Provided by Others |
| Remote Monitoring & Management | Provided by Others |

*Calculated Values:

The luminous flux, radiant power, chromaticity, forward voltage and CRI measurements in this document are calculated specifications only. Actual results will vary within tolerance of +/- 5%

Specifications

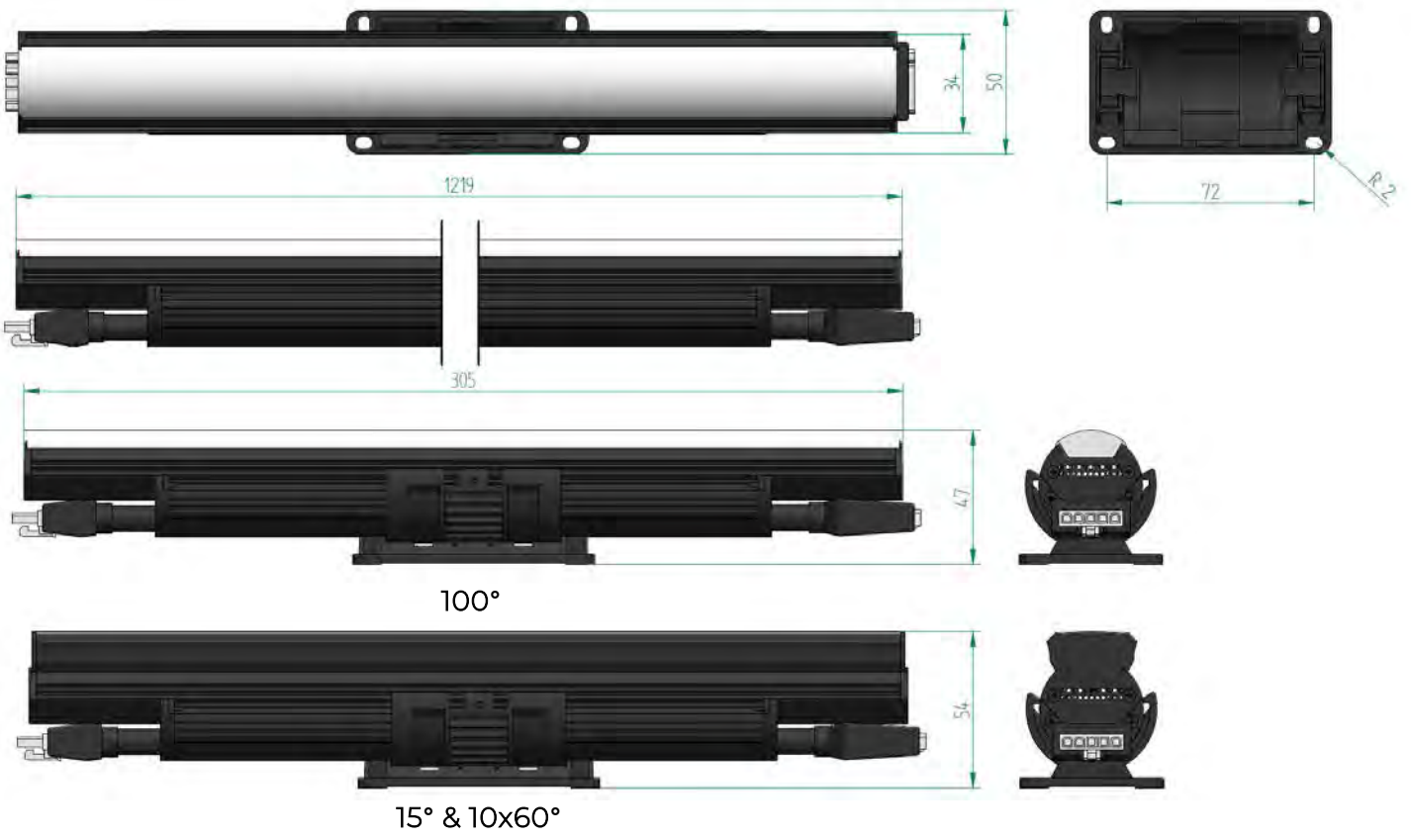
Due to continuous improvements and innovations, specifications may change without notice.

| Physical | Condition |
|--------------------------------------|--|
| Dimensions (Height x Width x Length) | 54 x 50 x 305/1219mm (2.1 x 2.0 x 12/48inch) |
| Weight | 0.6 kg (1.32 lb) 305mm, 1.8 kg (3.96 lb) 1219mm, |
| Housing Material | Extruded aluminum, black powder-coated finish |
| Lens | Clear polycarbonate |
| Connections | Integral male/female quick connectors |

| Environment | Condition |
|----------------------|--|
| Temperature Ranges | -40 to 50° C (-40 to 122° F) Operating |
| | -20 to 50° C (-4 to 122° F) Startup |
| | -40 to 80° C (-40 to 176° F) Storage |
| Vibration Resistance | N/A |
| Impact (Mechanical) | N/A |
| Corrosion Resistance | N/A |
| Humidity | 0 to 95%, non-condensing |

| Certification & Safety | Condition |
|------------------------|-------------------------|
| Approbation | ETL, CE |
| Environment | Dry/Damp Location, IP40 |

Dimensions



Photometrics

15° Clear, 1219mm

| Photometric Data | | Condition |
|-------------------|--|--------------|
| Beam Angle | | 17.1° |
| LED | | RGBW (3000K) |
| Lumens (lm) | | 1344.3lm |
| Input Power (W) | | 44.36W |
| Efficacy (lm/W) | | 30.3lm/W |
| Peak Candela (Cd) | | 4025Cd |

| Zone | Lumens | % Luminaire |
|-------|---------|-------------|
| 0-30 | 1,119.1 | 83.4 |
| 0-40 | 1,206.0 | 89.9 |
| 0-60 | 1,308.0 | 97.4 |
| 60-90 | 34.3 | 2.6 |
| 0-90 | 1,342.3 | 100 |

| | Center Beam (fc/lx) | Beam Width (cm) |
|------|---------------------|-----------------|
| 1.5m | 372.53 / 4009.93 | 45.10 |
| 2.0m | 209.55 / 2255.59 | 60.14 |
| 4.0m | 52.38 / 563.90 | 120.27 |
| 4.5m | 41.39 / 445.55 | 135.31 |
| 6.0m | 23.28 / 250.62 | 180.41 |

Luminaire and Accessories

| Luminaire | Item Code |
|--|-----------------------|
| 305mm Indoor RGBW 15° Linear Cove (DMX-RDM) | M11-00000679-0001-001 |
| 1219mm Indoor RGBW 15° Linear Cove (DMX-RDM) | M11-00000656-0001-001 |
| 305mm Indoor RGBA 15° Linear Cove (DMX-RDM) | M11-00000679-0001-002 |
| 1219mm Indoor RGBA 15° Linear Cove (DMX-RDM) | M11-00000656-0001-002 |

| Accessories | Item Code |
|-------------------------|-------------------|
| 10' Starter Cable + Cap | T16-00000054-0006 |
| 2' Jumper Cable | T16-00000352-0001 |
| Data Terminator Plug | T16-00000054-0010 |

Connect Rosi

17 x 35° Linear Grazer

AC LINEAR LIGHT SYSTEM

High-performance DMX Interior LED grazer

General Information

Mains 100 to 277VAC Input Plug and Play linear system
Module lengths 305mm, 1219mm
Single Colour White 2200k, 2700k, 3000k, 3500k, 4000k
Dynamic White
RGB W(3000k)
RGBA
CRI>80
17 x 35° Linear Grazer
Interior IP40
Tiltable



Available with the following technology options:

- 'Coda' - Intuitive RDM Protocol
- 'Forte' - Power Balance ZCL
- 'Tone' - RGB+W White Balance
- 'Sense' - SIP Settable White (Patented)
- 'Shift' - SIP/Bluetooth Settable Colour (Patent Pending)
- 'Token' - DMX PT-Auto Addressing (Patented)

'Shift' = SIP/Bluetooth Settable Color (Patent Pending)

Make your lighting the same colour hue as your corporate colour? With Shift, it is now as easy as point and click.

Take your smart phone and snap a shot, tap the phone on the Arco Illumination Shift enabled fixture and see the result in real time. No complicated and frustrating back and forth communication with your designer or integrator. Just your smart phone and an Arco fixture is all you need.

'Coda' = Intuitive RDM Protocol

Remote Device Manage (RDM), has gradually become a great tool in Architectural LED control projects. With theatrical application as its origin, RDM is strict in protocol definition and it is very challenging to comply fully to all standards.

Coda firmware passes more than 16,000 items tested via Plugfest and is proven to be 100% RDM compatible. Coda provides multiple personalities and great architectural lighting features like Hue, Saturation, and Value control.

'Forte' = Power Balance ZCL

RGBW LED fixtures can create dynamic and dramatic colour changing lighting effect while possessing the capability of also offering white illumination. However, typical RGBW fixtures have limited power in individual R,G,B,W colour allocation as it has to divide the power by 4. Though functional and eventful to create dynamic colour changing light effects, it often lacks the "punch" and brightness in individual static colour/white light presentations. With Forta technology there is no longer such a compromise. Forta RGBW fixtures deliver individual colour at a balanced maximum power that the fixture supports thus offering abundant light in all colour lighting applications.

'Tone' = RGB+W White Balance

White light can be created by the mixing of Red, Green and Blue. To create a high CRI pure white of various colour temperature (CCT), not only does the control formula need to be mathematically correct but it also takes ingenious programming and optical design combined with a well-controlled production process.

Tone delivers true, white-balanced illumination tuned along the black body curve offering you the most pure of whites.

'Sense' = SIP Settable White (Patented)

To match the colour temperature with the decoration and/or scenes is crucial in the design process, but to have complicated and expensive CCT tuneable white system/luminaries installed for often one-time setup is a waste of resources and is tedious. Sense fixtures don't need a data wire nor control system. With a swipe and tap of your phone in the installation stage, you can tune the CCT to your desired setup.

'Token' = DMX PT-Auto Addressing (Patented)

A unique approach to fixture auto addressing.

Specifications

Due to continuous improvements and innovations, specifications may change without notice.

| Output | Condition |
|--|---|
| Beam Angle (frosted) | 17x35° |
| Beam Angle (optional) | See additional Rosi specification |
| Lumens* DW 2700K CCT (80CRI) | 575 lm/m |
| Lumens* DW 3000K CCT (80CRI) | 525 lm/m |
| Lumens* DW 3500K CCT (80CRI) | 575 lm/m |
| Lumens* DW 4000K CCT (80CRI) | 620 lm/m |
| Lumens* 100% | 1215 lm/m |
| Lumens* Red (624-634nm) | 490 lm/m |
| Lumens* Green (520-540nm) | 1215 lm/m |
| Lumens* Royal Blue (440-460nm) | 425 lm/m |
| Lumens* White (RGBW Model, 3000K CCT, 80CRI) | 985 lm/m |
| Lumens* PC Amber (RGBA Model) | TBD lm/m |
| Efficacy* (native, full-on, lm/W) | 32lm/W |
| LED Channels (4) | Red, Green, Royal Blue, White (3000K) or PC Amber |

| Electrical | Condition |
|-------------------|---|
| Input Voltage | 100 to 277VAC, auto-ranging, 50/60Hz |
| Power Consumption | 32.8w/m Typ |
| Power Factor | 0.99 @ 120VAC, 0.90 @ 277VAC |
| Surge | 4kV maximum common (Gnd to L, Gnd to N) |

| Control | Condition |
|--------------------------------|---------------------|
| Luminaire | DMX (RDM compliant) |
| Control System | Provided by Others |
| Interface | Provided by Others |
| Remote Monitoring & Management | Provided by Others |

*Calculated Values:

The luminous flux, radiant power, chromaticity, forward voltage and CRI measurements in this document are calculated specifications only. Actual results will vary within tolerance of +/- 5%

Specifications

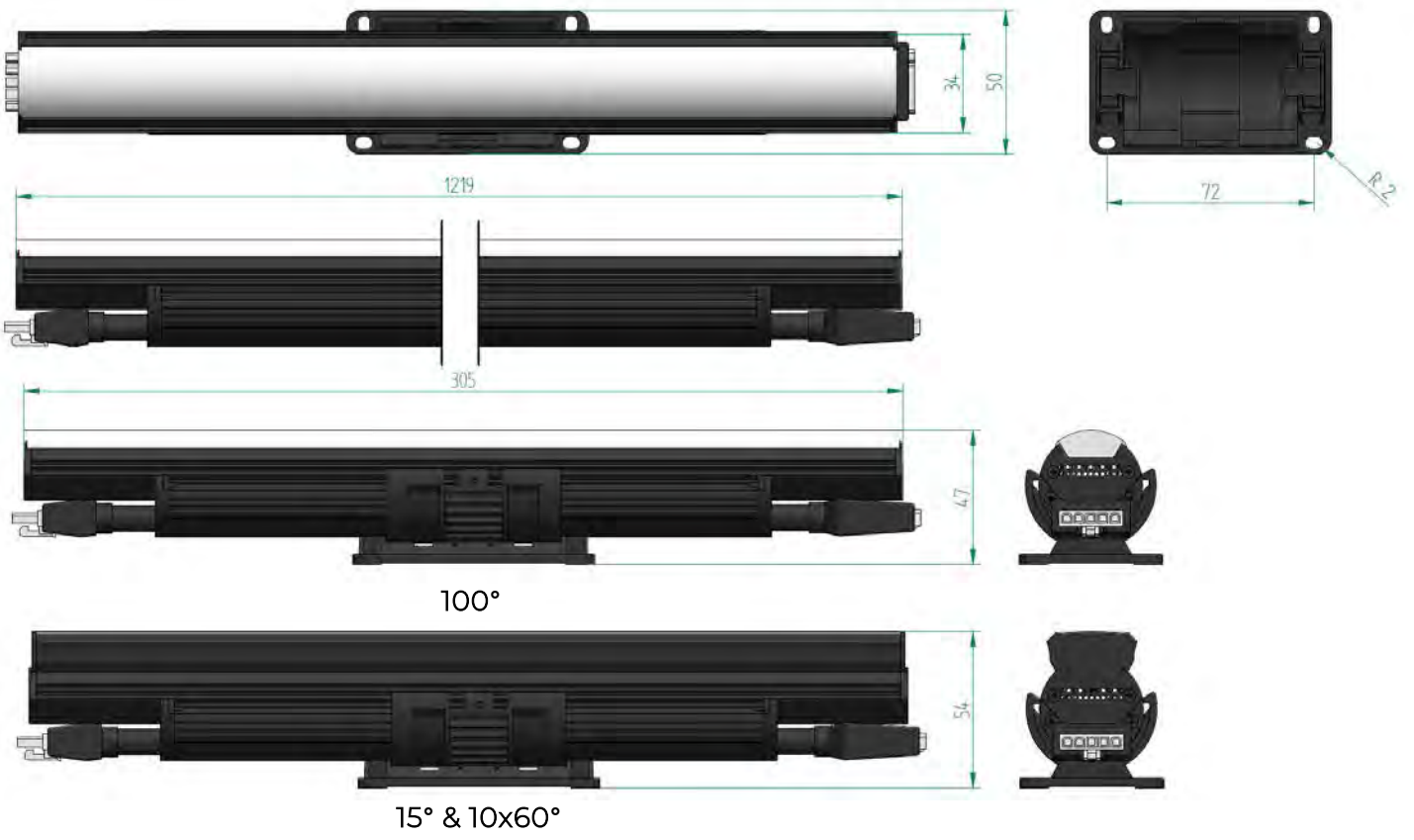
Due to continuous improvements and innovations, specifications may change without notice.

| Physical | Condition |
|--------------------------------------|---|
| Dimensions (Height x Width x Length) | 54 x 50 x 305/1219mm (2.1 x 2.0 x 12/48inch) |
| Weight | 0.6 kg (1.32 lb) 305mm, 1.8 kg (3.96 lb) 1219mm |
| Housing Material | Extruded aluminum, black powder-coated finish |
| Lens | Clear polycarbonate |
| Connections | Integral male/female quick connectors |

| Environment | Condition |
|----------------------|--|
| Temperature Ranges | -40 to 50° C (-40 to 122° F) Operating |
| | -20 to 50° C (-4 to 122° F) Startup |
| | -40 to 80° C (-40 to 176° F) Storage |
| Vibration Resistance | N/A |
| Impact (Mechanical) | N/A |
| Corrosion Resistance | N/A |
| Humidity | 0 to 95%, non-condensing |

| Certification & Safety | Condition |
|------------------------|-------------------------|
| Approbation | ETL, CE |
| Environment | Dry/Damp Location, IP40 |

Dimensions



Photometrics

17x35° Clear, 1219mm

| Photometric Data | | Condition |
|-------------------|--------------|-----------|
| Beam Angle | 19.1 x 35.2° | |
| LED | RGBW (3000K) | |
| Lumens (lm) | 1474lm | |
| Input Power (W) | 46.66W | |
| Efficacy (lm/W) | 32m/W | |
| Peak Candela (Cd) | 4776Cd | |

| Zone | Lumens | % Luminaire |
|--------|---------|-------------|
| 0-30 | 1,147.9 | 78.2 |
| 0-40 | 1,271.5 | 86.7 |
| 0-60 | 1,397.8 | 95.3 |
| 60-90 | 43.8 | 3.0 |
| 70-100 | 18.2 | 1.2 |
| 90-120 | 5.5 | 0.4 |
| 0-90 | 1,441.6 | 97.8 |
| 90-180 | 25.6 | 1.7 |
| 0-180 | 1,467.2 | 99.5 |

| | Center Beam (fc/lx) | Beam Width (cm) |
|------|---------------------|-----------------|
| 1.5m | 192.89 / 2076.32 | 73.41 |
| 2.0m | 108.50 / 1167.93 | 97.88 |
| 4.0m | 27.13 / 291.98 | 195.76 |
| 4.5m | 21.43 / 230.70 | 220.23 |
| 6.0m | 12.05 / 129.77 | 293.64 |

Luminaire and Accessories

| Luminaire | Item Code |
|---|-----------------------|
| 1' Indoor RGBW 17x35° Linear Cove (DMX-RDM) | M11-00000679-0003-001 |
| 4' Indoor RGBW 17x35° Linear Cove (DMX-RDM) | M11-00000656-0003-001 |
| 1' Indoor RGBA 17x35° Linear Cove (DMX-RDM) | M11-00000679-0003-002 |
| 4' Indoor RGBA 17x35° Linear Cove (DMX-RDM) | M11-00000656-0003-002 |

| Accessories | Item Code |
|-------------------------|-------------------|
| 10' Starter Cable + Cap | T16-00000054-0006 |
| 2' Jumper Cable | T16-00000352-0001 |
| Data Terminator Plug | T16-00000054-0010 |

Connect Rosi 100° Linear Cove

AC LINEAR LIGHT SYSTEM High-performance DMX Interior Cove fixture

General Information

Mains 100 to 277VAC Input Plug and Play linear system
Module lengths 305mm, 1219mm
Single Colour White 2200k, 2700k, 3000k, 3500k, 4000k
Dynamic White
RGB W(3000k)
RGBA
CRI>80
100° Linear Cove
Interior IP40
Tiltable



Available with the following technology options:

- 'Coda' - Intuitive RDM Protocol
- 'Forte' - Power Balance ZCL
- 'Tone' - RGB+W White Balance
- 'Sense' - SIP Settable White (Patented)
- 'Shift' - SIP/Bluetooth Settable Colour (Patent Pending)
- 'Token' - DMX PT-Auto Addressing (Patented)

'Shift' = SIP/Bluetooth Settable Color (Patent Pending)

Make your lighting the same colour hue as your corporate colour? With Shift, it is now as easy as point and click.

Take your smart phone and snap a shot, tap the phone on the Arco Illumination Shift enabled fixture and see the result in real time. No complicated and frustrating back and forth communication with your designer or integrator. Just your smart phone and an Arco fixture is all you need.

'Coda' = Intuitive RDM Protocol

Remote Device Manage (RDM), has gradually become a great tool in Architectural LED control projects. With theatrical application as its origin, RDM is strict in protocol definition and it is very challenging to comply fully to all standards.

Coda firmware passes more than 16,000 items tested via Plugfest and is proven to be 100% RDM compatible. Coda provides multiple personalities and great architectural lighting features like Hue, Saturation, and Value control.

'Forte' = Power Balance ZCL

RGBW LED fixtures can create dynamic and dramatic colour changing lighting effect while possessing the capability of also offering white illumination. However, typical RGBW fixtures have limited power in individual R,G,B,W colour allocation as it has to divide the power by 4. Though functional and eventful to create dynamic colour changing light effects, it often lacks the "punch" and brightness in individual static colour/white light presentations. With Forta technology there is no longer such a compromise. Forta RGBW fixtures deliver individual colour at a balanced maximum power that the fixture supports thus offering abundant light in all colour lighting applications.

'Tone' = RGB+W White Balance

White light can be created by the mixing of Red, Green and Blue. To create a high CRI pure white of various colour temperature (CCT), not only does the control formula need to be mathematically correct but it also takes ingenious programming and optical design combined with a well-controlled production process.

Tone delivers true, white-balanced illumination tuned along the black body curve offering you the most pure of whites.

'Sense' = SIP Settable White (Patented)

To match the colour temperature with the decoration and/or scenes is crucial in the design process, but to have complicated and expensive CCT tuneable white system/luminaries installed for often one-time setup is a waste of resources and is tedious. Sense fixtures don't need a data wire nor control system. With a swipe and tap of your phone in the installation stage, you can tune the CCT to your desired setup.

'Token' = DMX PT-Auto Addressing (Patented)

A unique approach to fixture auto addressing.

Specifications

Due to continuous improvements and innovations, specifications may change without notice.

| Output | Condition |
|--|---|
| Beam Angle (frosted) | 100° |
| Beam Angle (optional) | See additional Rosi specification |
| Lumens* DW 2700K CCT (80CRI) | 705 lm/m |
| Lumens* DW 3000K CCT (80CRI) | 605 lm/m |
| Lumens* DW 3500K CCT (80CRI) | 656 lm/m |
| Lumens* DW 4000K CCT (80CRI) | 720 lm/m |
| Lumens* 100% | 1345 lm/m |
| Lumens* Red (624-634nm) | 540 lm/m |
| Lumens* Green (520-540nm) | 1345 lm/m |
| Lumens* Royal Blue (440-460nm) | 425 lm/m |
| Lumens* White (RGBW Model, 3000K CCT, 80CRI) | 1050 lm/m |
| Lumens* PC Amber (RGBA Model) | TBD lm (per linear foot) |
| Efficacy* (native, full-on, lm/W) | 38lm/W |
| LED Channels (4) | Red, Green, Royal Blue, White (3000K) or PC Amber |

| Electrical | Condition |
|-------------------|---|
| Input Voltage | 100 to 277VAC, auto-ranging, 50/60Hz |
| Power Consumption | 32.8w/m Typ |
| Power Factor | 0.99 @ 120VAC, 0.90 @ 277VAC |
| Surge | 4kV maximum common (Gnd to L, Gnd to N) |

| Control | Condition |
|--------------------------------|---------------------|
| Luminaire | DMX (RDM compliant) |
| Control System | Provided by Others |
| Interface | Provided by Others |
| Remote Monitoring & Management | Provided by Others |

*Calculated Values:

The luminous flux, radiant power, chromaticity, forward voltage and CRI measurements in this document are calculated specifications only. Actual results will vary within tolerance of +/- 5%

Specifications

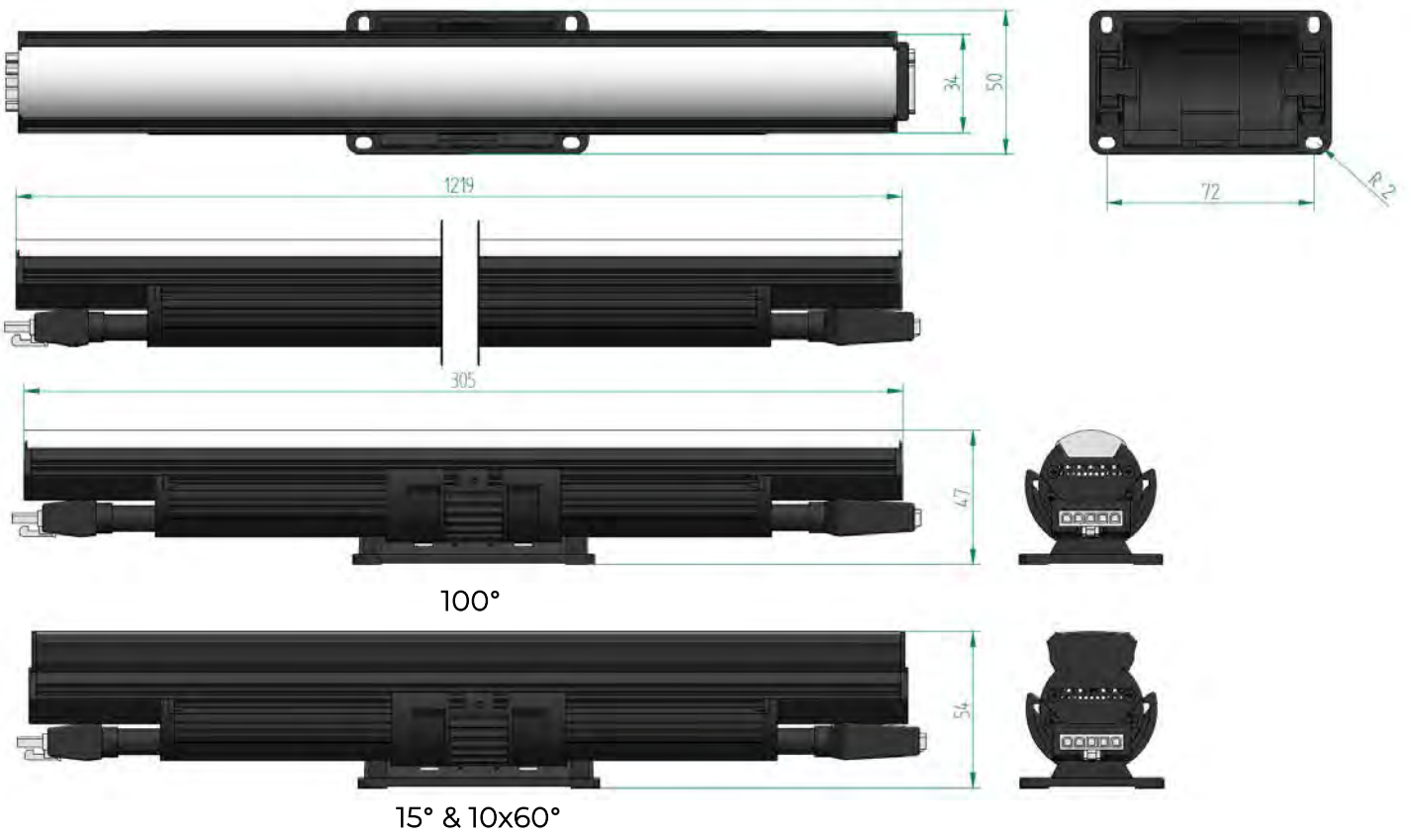
Due to continuous improvements and innovations, specifications may change without notice.

| Physical | Condition |
|--------------------------------------|---|
| Dimensions (Height x Width x Length) | 47 x 50 x 305/1219mm (1.8 x 2.0 x 12/48inch) |
| Weight | 0.6 kg (1.32 lb) 305mm, 1.8 kg (3.96 lb) 1219mm |
| Housing Material | Extruded aluminum, black powder-coated finish |
| Lens | Frosted polycarbonate |
| Connections | Integral male/female quick connectors |

| Environment | Condition |
|----------------------|--|
| Temperature Ranges | -40 to 50° C (-40 to 122° F) Operating |
| | -20 to 50° C (-4 to 122° F) Startup |
| | -40 to 80° C (-40 to 176° F) Storage |
| Vibration Resistance | N/A |
| Impact (Mechanical) | N/A |
| Corrosion Resistance | N/A |
| Humidity | 0 to 95%, non-condensing |

| Certification & Safety | Condition |
|------------------------|-------------------------|
| Approbation | ETL, CE |
| Environment | Dry/Damp Location, IP40 |

Dimensions



Photometrics

100° Frosted, 1219mm

| Photometric Data | | Condition |
|-------------------|--------------|-----------|
| Beam Angle | 105.5° | |
| LED | RGBW (3000K) | |
| Lumens (lm) | 1641.3lm | |
| Input Power (W) | 44.81W | |
| Efficacy (lm/W) | 36.6lm/W | |
| Peak Candela (Cd) | 564.2Cd | |

| Zone | Lumens | % Luminaire |
|--------|---------|-------------|
| 0-30 | 427.2 | 26.0 |
| 0-40 | 689.3 | 42.0 |
| 0-60 | 1,186.0 | 72.3 |
| 60-90 | 368.0 | 22.4 |
| 70-100 | 217.7 | 13.3 |
| 90-120 | 61.0 | 3.7 |
| 0-90 | 1,554.1 | 94.7 |
| 90-180 | 86.8 | 5.3 |
| 0-180 | 1,640.9 | 100 |

| | Center Beam (fc/lx) | Beam Width (cm) |
|------|---------------------|-----------------|
| 1.5m | 23.28 / 250.66 | 394.52 |
| 2.0m | 13.10 / 141.00 | 526.03 |
| 4.0m | 3.27 / 35.25 | 1052.05 |
| 4.5m | 2.59 / 27.85 | 1183.56 |
| 6.0m | 1.46 / 15.67 | 1578.08 |

Luminaire and Accessories

| Luminaire | Item Code |
|---|-----------------------|
| 1' Indoor RGBW 100° Linear Cove (DMX-RDM) | M11-00000679-0002-001 |
| 4' Indoor RGBW 100° Linear Cove (DMX-RDM) | M11-00000656-0002-001 |
| 1' Indoor RGBA 100° Linear Cove (DMX-RDM) | M11-00000679-0002-002 |
| 4' Indoor RGBA 100° Linear Cove (DMX-RDM) | M11-00000656-0002-002 |

| Accessories | Item Code |
|-------------------------|-------------------|
| 10' Starter Cable + Cap | T16-00000054-0006 |
| 2' Jumper Cable | T16-00000352-0001 |
| Data Terminator Plug | T16-00000054-0010 |

Connect Tiaa

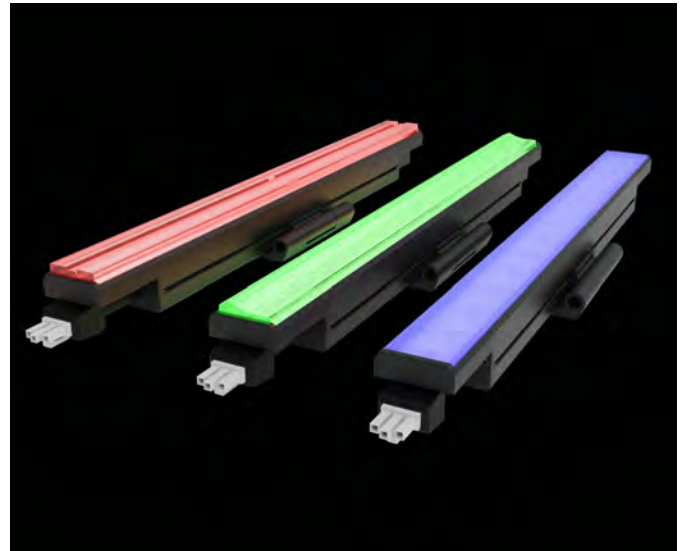
15 x 90° Linear Cove

AC LINEAR LIGHT SYSTEM

High-performance ELV Interior LED cove

General Information

Mains 100 to 220VAC Input Plug and Play linear system
Module lengths 305mm, 1219mm
Single Colour White 2200k, 2700k, 3000k, 3500k, 4000k
Dynamic White
RGBW(3000k)
RGBA
CRI>80
15 x 90° +25° Tilt Beam angle
Interior IP40
Tiltable



Available with the following technology options:

0-10v, Dali, Dali 2, Dali DT8, DMX

Specifications

Due to continuous improvements and innovations, specifications may change without notice.

| Output | Condition |
|----------------------------------|-----------------------------------|
| Beam Angle (frosted) | 15 x 90° |
| Beam Angle (optional) | See additional Tiaa specification |
| Lumens* 2700K CCT (80CRI) | 1,380lm |
| Lumens* 3000K CCT (80CRI) | 1,425lm |
| Lumens* 3500K CCT (80CRI) | 1,450lm |
| Lumens* 4000K CCT (80CRI) | 1,500lm |
| Lumens* Red (624-634nm) | 380lm |
| Lumens* Green (520-540nm) | 1,450lm |
| Lumens* Royal Blue (440-460nm) | 585lm |
| Lumens* PC Amber | 1,300lm |
| Efficacy Mono Typ (native, lm/W) | 120lm/W Typ (Avg) |

| Electrical | Condition |
|-------------------|---|
| Input Voltage | 100 to 220VAC, auto-ranging, 50/60Hz |
| Power Consumption | 12w Typ, 13.12w/m |
| Power Factor | 0.99 @ 120VAC, 0.90 @ 277VAC |
| Surge | 4kV maximum common (Gnd to L, Gnd to N) |

| Control | Condition |
|--------------------------------|--------------------|
| Luminaire | ELV (100-1%) |
| Control System | Provided by Others |
| Interface | Provided by Others |
| Remote Monitoring & Management | Provided by Others |

*Calculated Values: 1219mm / 48 inch

The luminous flux, radiant power, chromaticity, forward voltage and CRI measurements in this document are calculated specifications only. Actual results will vary within tolerance of +/- 5%

Specifications

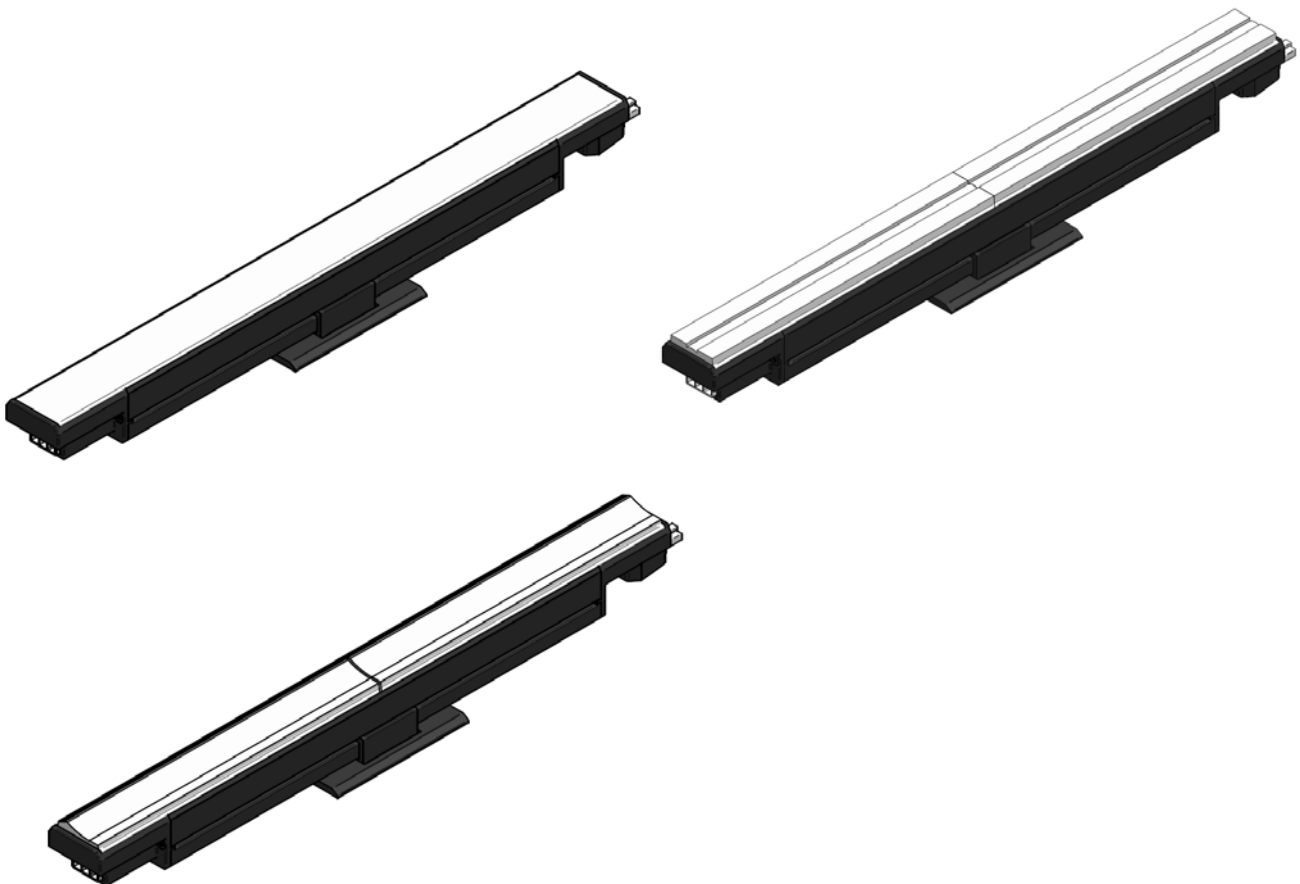
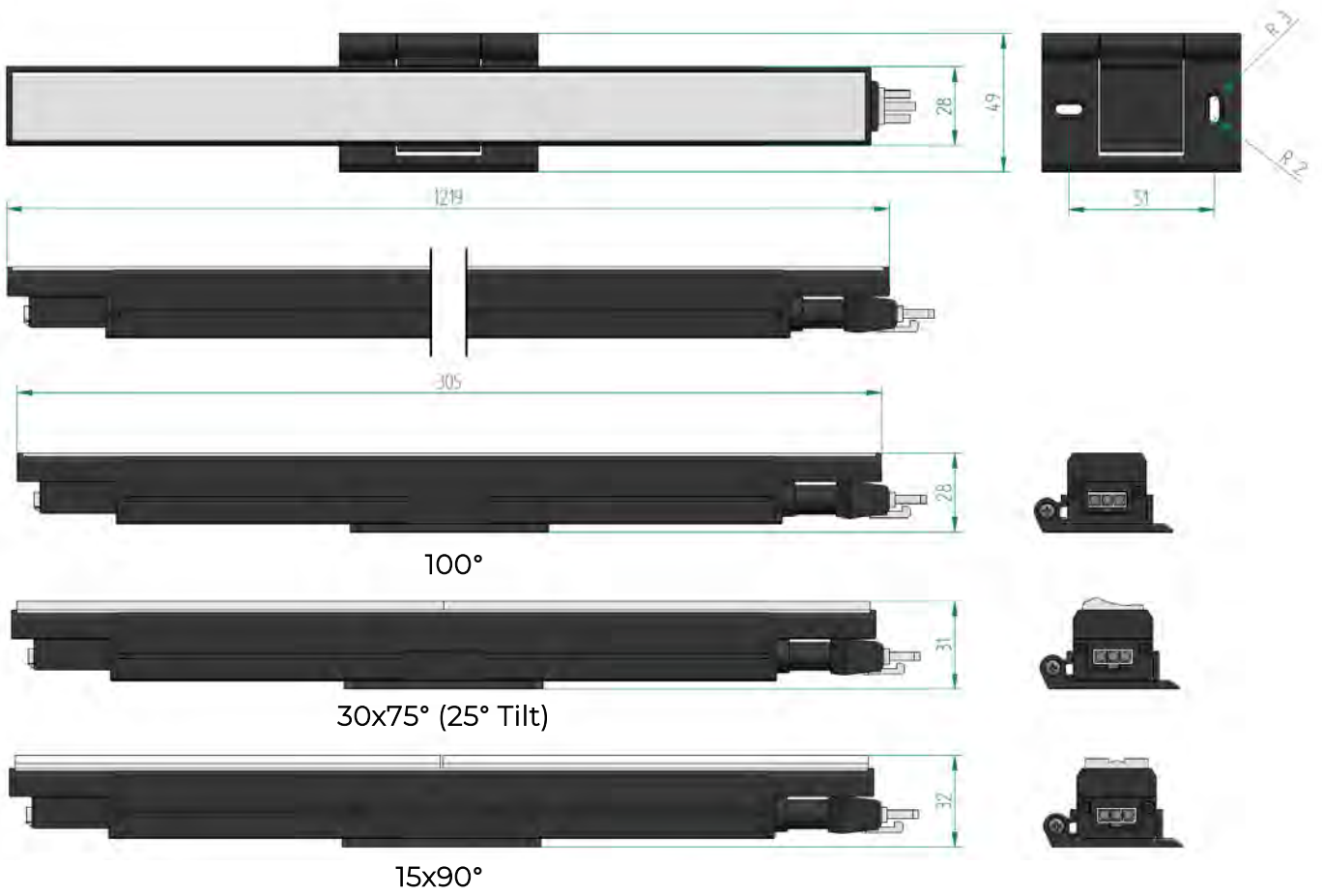
Due to continuous improvements and innovations, specifications may change without notice.

| Physical | Condition |
|--------------------------------------|---|
| Dimensions (Height x Width x Length) | 32 x 49 x 305/1219mm (1.2 x 1.9 x 12/48 inch) |
| Weight | 0.25 kg (0.55 lb) 305mm, 0.85 kg (1.88 lb) 1219mm |
| Housing Material | Extruded aluminum, black powder-coated finish |
| Lens | Optically clear polycarbonate |
| Connections | Integral male/female quick connectors |

| Environment | Condition |
|----------------------|--|
| Temperature Ranges | -40 to 50° C (-40 to 122° F) Operating |
| | -20 to 50° C (-4 to 122° F) Startup |
| | -40 to 80° C (-40 to 176° F) Storage |
| Vibration Resistance | N/A |
| Impact (Mechanical) | N/A |
| Corrosion Resistance | N/A |
| Humidity | 0 to 95%, non-condensing |

| Certification & Safety | Condition |
|------------------------|-------------------------|
| Approbation | ETL, CE |
| Environment | Dry/Damp Location, IP40 |

Dimensions



Photometrics

15x90° TIR, 1219mm

| Photometric Data | | Condition |
|-------------------|--------------|-----------|
| Beam Angle | 16.7 x 90.3° | |
| LED | 4000K | |
| Lumens (lm) | 1504lm | |
| Input Power (W) | 12W | |
| Efficacy (lm/W) | 125lm/W | |
| Peak Candela (Cd) | 2123Cd | |

| Zone | Lumens | % Luminaire |
|--------|---------|-------------|
| 0-30 | 940.2 | 43.6 |
| 0-40 | 1,343.0 | 62.3 |
| 0-60 | 1,913.9 | 88.7 |
| 60-90 | 183.4 | 8.5 |
| 70-100 | 78.5 | 3.6 |
| 90-120 | 24.8 | 1.1 |
| 0-90 | 2,097.2 | 97.2 |
| 90-180 | 60.1 | 2.8 |
| 0-180 | 2,157.3 | 100 |

| | Center Beam (fc/lx) | Beam Width (cm) |
|----|---------------------|-----------------|
| 1m | 197.25 / 2123.19 | 100.8 |
| 2m | 49.31 / 530.80 | 201.6 |
| 3m | 21.92 / 235.91 | 302.4 |
| 4m | 12.33 / 132.70 | 403.2 |
| 5m | 7.89 / 84.93 | 504.0 |

Luminaire and Accessories

| Luminaire | Item Code |
|--|-----------------------|
| 305mm Indoor 2700K 15x90° Linear Cove (ELV) | M11-00000682-0001-002 |
| 1219mm Indoor 2700K 15x90° Linear Cove (ELV) | M11-00000681-0001-002 |
| 305mm Indoor 3000K 15x90° Linear Cove (ELV) | M11-00000682-0001-001 |
| 1219mm Indoor 3000K 15x90° Linear Cove (ELV) | M11-00000681-0001-001 |
| 305mm Indoor 3500K 15x90° Linear Cove (ELV) | M11-00000682-0001-003 |
| 1219mm Indoor 3500K 15x90° Linear Cove (ELV) | M11-00000681-0001-003 |
| 305mm Indoor 4000K 15x90° Linear Cove (ELV) | M11-00000682-0001-004 |
| 1219mm Indoor 4000K 15x90° Linear Cove (ELV) | M11-00000681-0001-004 |

| Luminaire | Item Code |
|---|-----------------------|
| 305mm Indoor Red 15x90° Linear Cove (ELV) | M11-00000682-0001-005 |
| 1219mm Indoor Red 15x90° Linear Cove (ELV) | M11-00000681-0001-005 |
| 305mm Indoor Green 15x90° Linear Cove (ELV) | M11-00000682-0001-006 |
| 1219mm Indoor Green 15x90° Linear Cove (ELV) | M11-00000681-0001-006 |
| 305mm Indoor Royal Blue 15x90° Linear Cove (ELV) | M11-00000682-0001-007 |
| 1219mm Indoor Royal Blue 15x90° Linear Cove (ELV) | M11-00000681-0001-007 |
| 305mm Indoor PC Amber 15x90° Linear Cove (ELV) | M11-00000682-0001-008 |
| 1219mm Indoor PC Amber 15x90° Linear Cove (ELV) | M11-00000681-0001-008 |

| Accessories | Item Code |
|-------------------------|-------------------|
| 10' Starter Cable + Cap | T16-00000025-0001 |
| 2' Jumper Cable | T16-00000327-0001 |

Architectural FX
 Unit 10 Longshot Lane Bracknell RG12 1RL
 T +44 (0) 1344 291536
 E info@afx.lighting
 W www.afx.lighting

All rights reserved. Specifications are subject to change without notice. No representation or warranty as to the accuracy or completeness of the information included herein is given and any liability for any action in reliance thereon is disclaimed.

Connect Tiaa

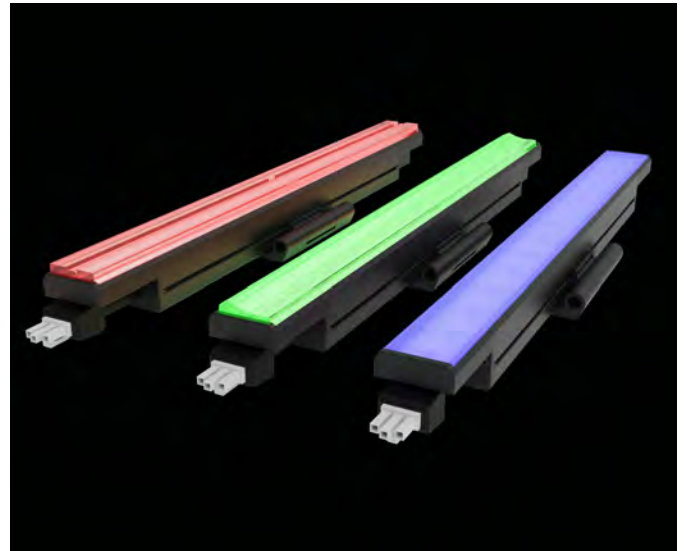
30 x 75° +25° Tilt Linear Cove

AC LINEAR LIGHT SYSTEM

High-performance ELV Interior LED cove

General Information

Mains 100 to 220VAC Input Plug and Play linear system
Module lengths 305mm, 1219mm
Single Colour White 2200k, 2700k, 3000k, 3500k, 4000k
Dynamic White
RGBW(3000k)
RGBA
CRI>80
30 x 75° +25° Tilt Beam angle
Interior IP40
Tiltable



Available with the following technology options:

0-10v, Dali, Dali 2, Dali DT8, DMX

Specifications

Due to continuous improvements and innovations, specifications may change without notice.

| Output | Condition |
|----------------------------------|------------------------------------|
| Beam Angle | 30 x 75° +25° Tilt |
| Beam Angle (optional) | See additional Tiaa specifications |
| Lumens* 2700K CCT (80CRI) | 1,240lm |
| Lumens* 3000K CCT (80CRI) | 1,275lm |
| Lumens* 3500K CCT (80CRI) | 1,300lm |
| Lumens* 4000K CCT (80CRI) | 1,350lm |
| Lumens* Red (624-634nm) | 380lm |
| Lumens* Green (520-540nm) | 1,280lm |
| Lumens* Royal Blue (440-460nm) | 515lm |
| Lumens* PC Amber | 1,250lm |
| Efficacy Mono Typ (native, lm/W) | 105lm/W Typ |

| Electrical | Condition |
|-------------------|---|
| Input Voltage | 100 to 220VAC, auto-ranging, 50/60Hz |
| Power Consumption | 12w/m Typ, 13.12w/m |
| Power Factor | 0.99 @ 120VAC, 0.90 @ 277VAC |
| Surge | 4kV maximum common (Gnd to L, Gnd to N) |

| Control | Condition |
|--------------------------------|--------------------|
| Luminaire | ELV (100-1%) |
| Control System | Provided by Others |
| Interface | Provided by Others |
| Remote Monitoring & Management | Provided by Others |

*Calculated Values: 1219mm / 48 inch

The luminous flux, radiant power, chromaticity, forward voltage and CRI measurements in this document are calculated specifications only. Actual results will vary within tolerance of +/- 5%

Specifications

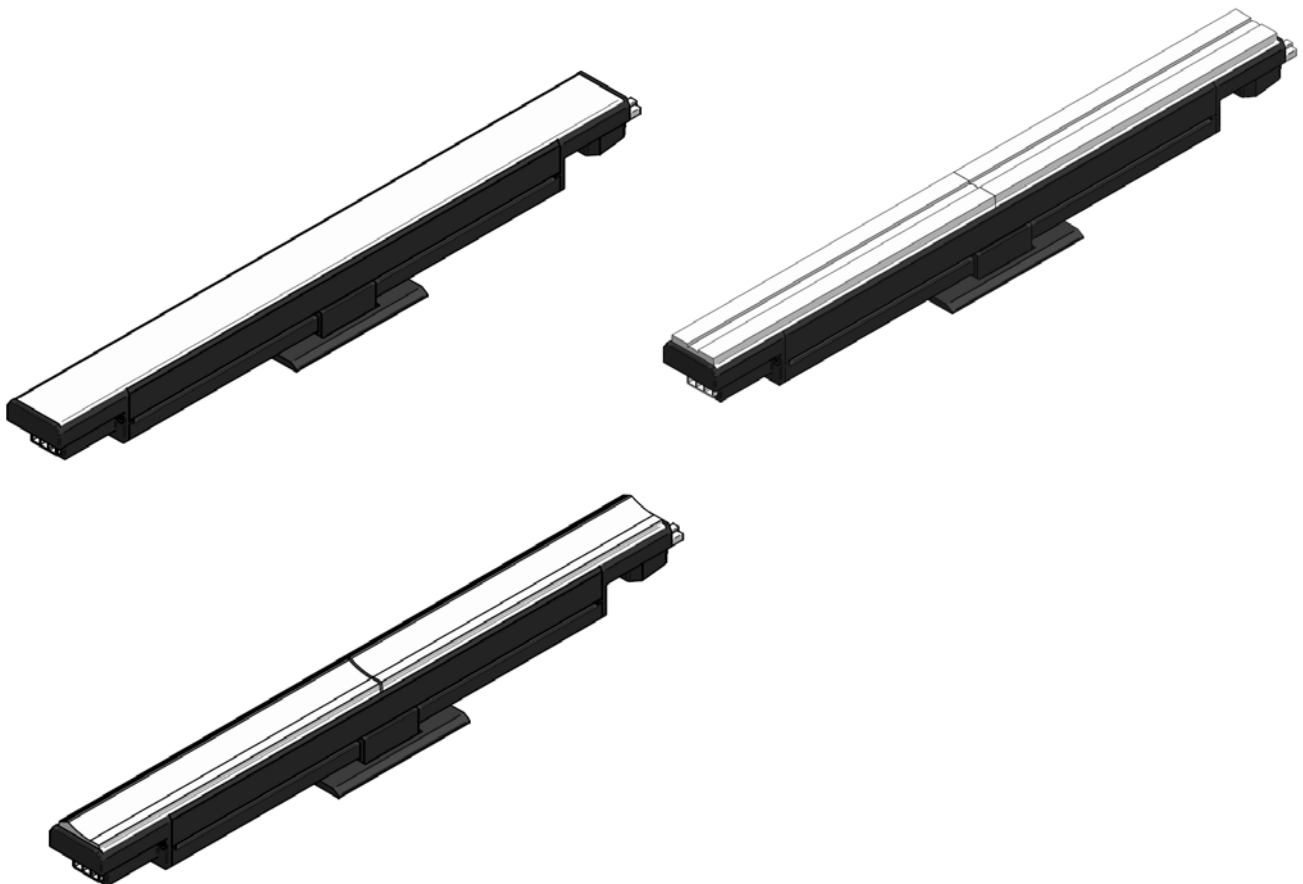
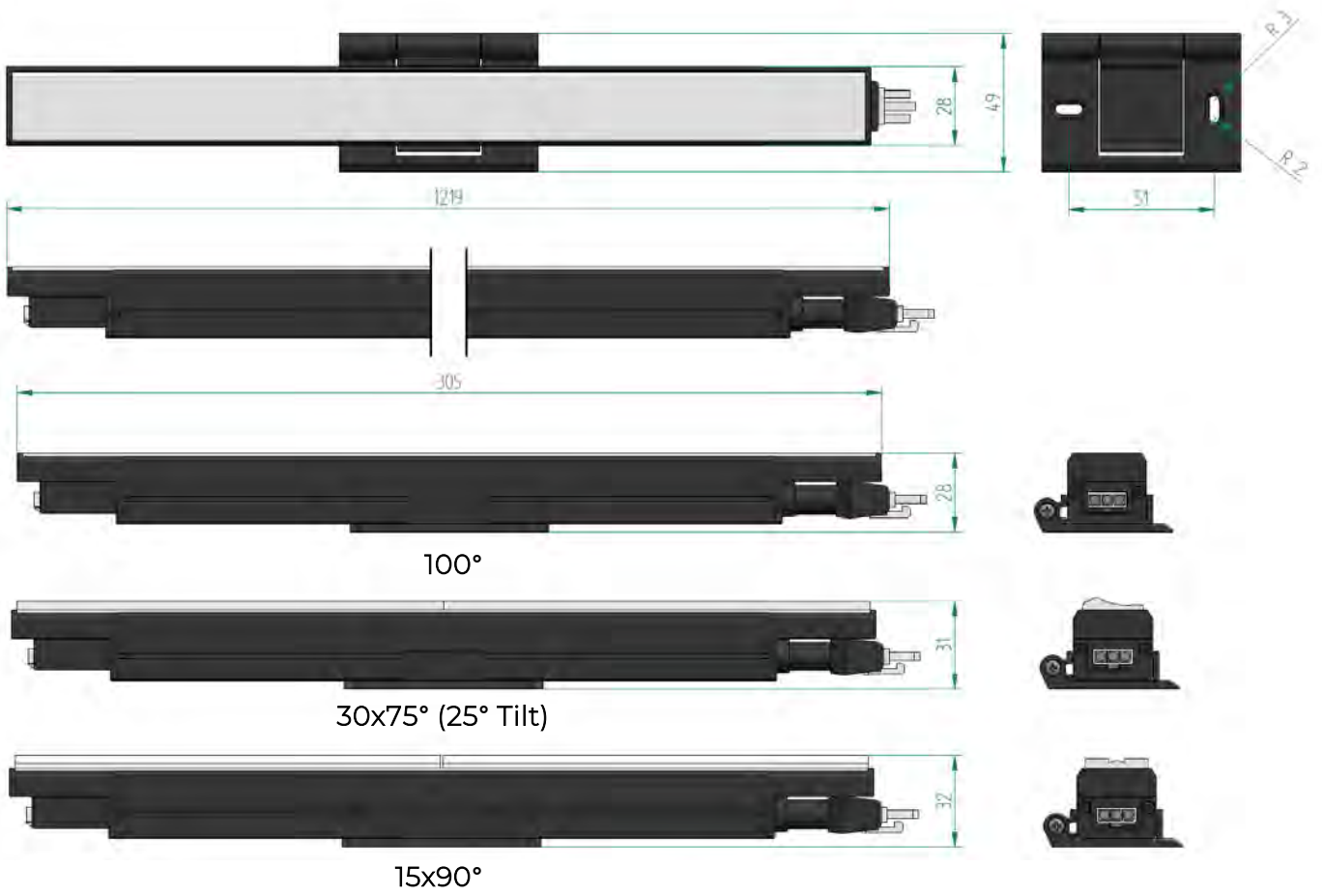
Due to continuous improvements and innovations, specifications may change without notice.

| Physical | Condition |
|--------------------------------------|---|
| Dimensions (Height x Width x Length) | 31 x 49 x 305/1219mm (1.2 x 1.9 x 12/48 inch) |
| Weight | 0.25 kg (0.55 lb) 305mm, 0.85 kg (1.88 lb) 1219mm |
| Housing Material | Extruded aluminum, black powder-coated finish |
| Lens | Frosted polycarbonate, clear polycarbonate |
| Connections | Integral male/female quick connectors |

| Environment | Condition |
|----------------------|--|
| Temperature Ranges | -40 to 50° C (-40 to 122° F) Operating |
| | -20 to 50° C (-4 to 122° F) Startup |
| | -40 to 80° C (-40 to 176° F) Storage |
| Vibration Resistance | N/A |
| Impact (Mechanical) | N/A |
| Corrosion Resistance | N/A |
| Humidity | 0 to 95%, non-condensing |

| Certification & Safety | Condition |
|------------------------|-------------------------|
| Approbation | ETL, CE |
| Environment | Dry/Damp Location, IP40 |

Dimensions



Photometrics

30x75° / 25° Tilt TIR, 1219mm

| Photometric Data | Condition |
|-------------------|-------------------------|
| Beam Angle | 31.4 x 77.8° (22° Tilt) |
| LED | 4000K |
| Lumens (lm) | 1328lm |
| Input Power (W) | 12W |
| Efficacy (lm/W) | 110lm/W |
| Peak Candela (Cd) | 1284Cd |

| Zone | Lumens | % Luminaire |
|--------|--------|-------------|
| 0-30 | 214.2 | 31.2 |
| 0-40 | 322.5 | 47.0 |
| 0-60 | 514.0 | 74.9 |
| 60-90 | 132.6 | 19.3 |
| 70-100 | 69.9 | 10.2 |
| 90-120 | 16.9 | 2.5 |
| 0-90 | 646.6 | 94.2 |
| 90-180 | 39.5 | 5.8 |
| 0-180 | 686.1 | 100 |

| | Center Beam (fc/lx) | Beam Width (cm) |
|----|---------------------|-----------------|
| 1m | 42.45 / 456.89 | 107.0 |
| 2m | 10.61 / 114.22 | 214.0 |
| 3m | 4.72 / 50.77 | 321.0 |
| 4m | 2.65 / 28.56 | 428.1 |
| 5m | 1.70 / 18.28 | 535.1 |

Luminaire and Accessories

| Luminaire | Item Code |
|--|-----------------------|
| 305mm Indoor 2700K 30x75° +25° Tilt Linear Cove | M11-00000781-0001-002 |
| 1219mm Indoor 2700K 30x75° +25° Tilt Linear Cove | M11-00000782-0001-002 |
| 305mm Indoor 3000K 30x75° +25° Tilt Linear Cove | M11-00000781-0001-001 |
| 1219mm Indoor 3000K 30x75° +25° Tilt Linear Cove | M11-00000782-0001-001 |
| 305mm Indoor 3500K 30x75° +25° Tilt Linear Cove | M11-00000781-0001-003 |
| 1219mm Indoor 3500K 30x75° +25° Tilt Linear Cove | M11-00000782-0001-003 |
| 305mm Indoor 4000K 30x75° +25° Tilt Linear Cove | M11-00000781-0001-004 |
| 1219mm Indoor 4000K 30x75° +25° Tilt Linear Cove | M11-00000782-0001-004 |

| Luminaire | Item Code |
|---|-----------------------|
| 305mm Indoor Red 30x75° +25° Tilt Linear Cove | M11-00000781-0001-005 |
| 1219mm Indoor Red 30x75° +25° Tilt Linear Cove | M11-00000782-0001-005 |
| 305mm Indoor Green 30x75° +25° Tilt Linear Cove | M11-00000781-0001-006 |
| 1219mm Indoor Green 30x75° +25° Tilt Linear Cove | M11-00000782-0001-006 |
| 305mm Indoor Royal Blue 30x75° +25° Tilt Linear Cove | M11-00000781-0001-007 |
| 1219mm Indoor Royal Blue 30x75° +25° Tilt Linear Cove | M11-00000782-0001-007 |
| 305mm Indoor PC Amber 30x75° +25° Tilt Linear Cove | M11-00000781-0001-008 |
| 1219mm Indoor PC Amber 30x75° +25° Tilt Linear Cove | M11-00000782-0001-008 |

| Accessories | Item Code |
|-------------------------|-------------------|
| 10' Starter Cable + Cap | T16-00000025-0001 |
| 2' Jumper Cable | T16-00000327-0001 |

Architectural FX
Unit 10 Longshot Lane Bracknell RG12 1RL
T +44 (0) 1344 291536
E info@afx.lighting
W www.afx.lighting

All rights reserved. Specifications are subject to change without notice. No representation or warranty as to the accuracy or completeness of the information included herein is given and any liability for any action in reliance thereon is disclaimed.

Connect Tiaa 100° Linear Cove

AC LINEAR LIGHT SYSTEM High-performance ELV Interior LED cove

General Information

Mains 100 to 220VAC Input Plug and Play linear system
Module lengths 305mm, 1219mm
Single Colour White 2200k, 2700k, 3000k, 3500k, 4000k
Dynamic White
RGBW(3000k)
RGBA
CRI>80
100° Beam angle
Interior IP40
Tiltable



Available with the following technology options:

0-10v, Dali, Dali 2, Dali DT8, DMX

Specifications

Due to continuous improvements and innovations, specifications may change without notice.

| Output | Condition |
|----------------------------------|-----------------------------------|
| Beam Angle (frosted) | 100° |
| Beam Angle (optional) | See additional Tiaa specification |
| Lumens* 2700K CCT (80CRI) | 1,150lm |
| Lumens* 3000K CCT (80CRI) | 1,175lm |
| Lumens* 3500K CCT (80CRI) | 1,200lm |
| Lumens* 4000K CCT (80CRI) | 1,250lm |
| Lumens* Red (624-634nm) | 360lm |
| Lumens* Green (520-540nm) | 1,180lm |
| Lumens* Royal Blue (440-460nm) | 475lm |
| Lumens* PC Amber | 1,156lm |
| Efficacy Mono Typ (native, lm/W) | 100lm/W Typ (Avg) |

| Electrical | Condition |
|-------------------|---|
| Input Voltage | 100 to 220VAC, auto-ranging, 50/60Hz |
| Power Consumption | 12w/m Typ, 13.2w/m |
| Power Factor | 0.99 @ 120VAC, 0.90 @ 277VAC |
| Surge | 4kV maximum common (Gnd to L, Gnd to N) |

| Control | Condition |
|--------------------------------|--------------------|
| Luminaire | ELV (100-1%) |
| Control System | Provided by Others |
| Interface | Provided by Others |
| Remote Monitoring & Management | Provided by Others |

*Calculated Values: 1219mm / 48 inch

The luminous flux, radiant power, chromaticity, forward voltage and CRI measurements in this document are calculated specifications only. Actual results will vary within tolerance of +/- 5%

Specifications

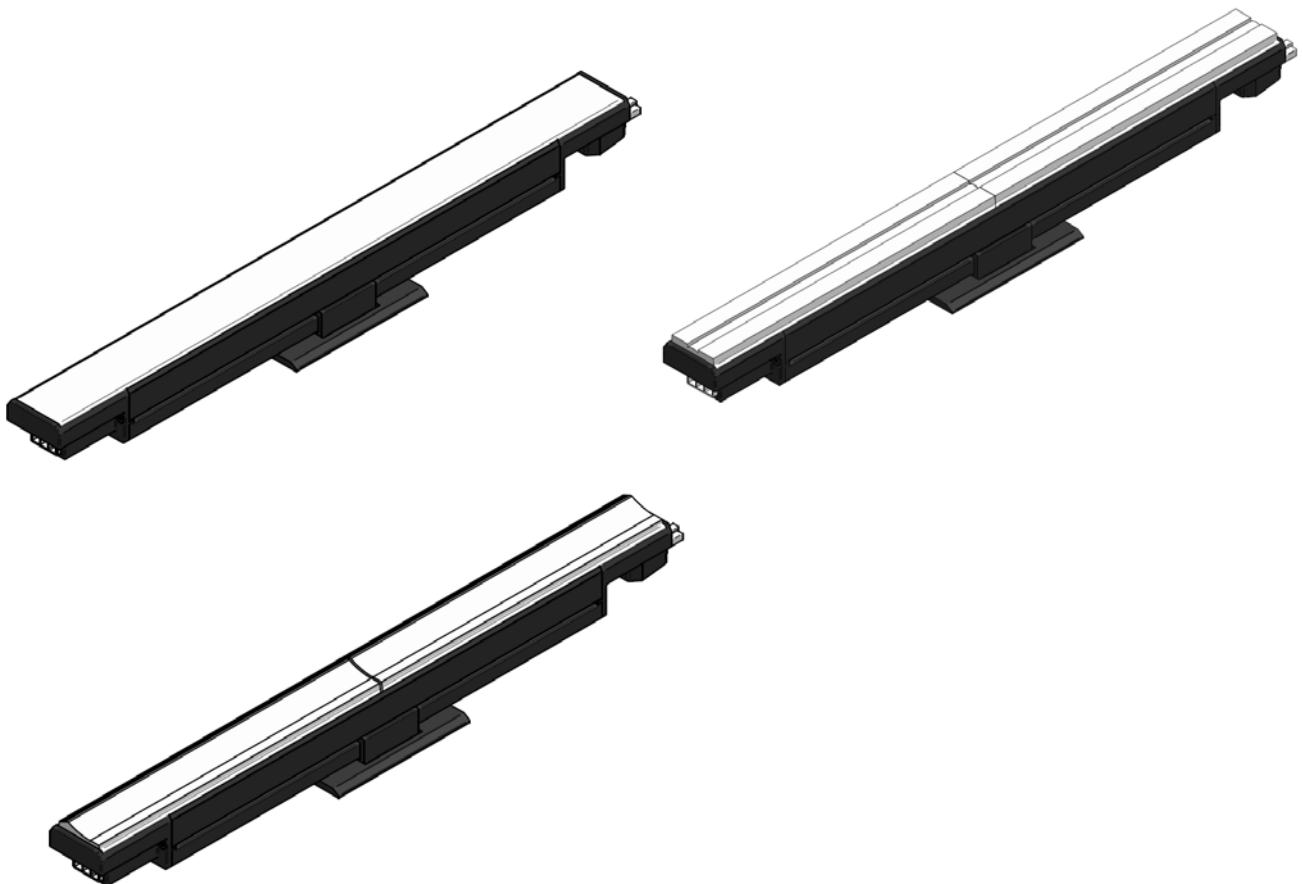
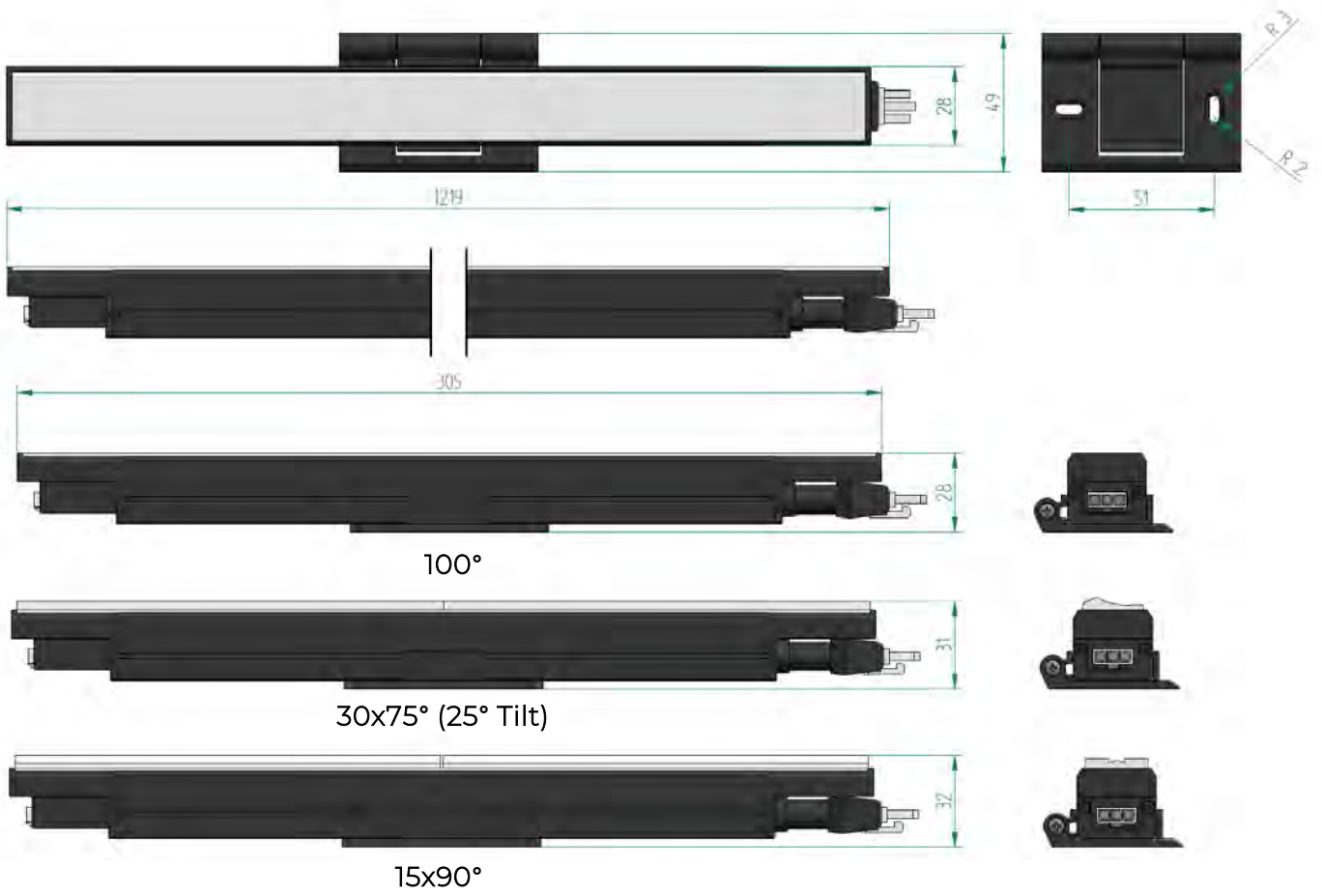
Due to continuous improvements and innovations, specifications may change without notice.

| Physical | Condition |
|--------------------------------------|---|
| Dimensions (Height x Width x Length) | 28 x 49 x 305/1219mm (1.0 x 1.9 x 12/48 inch) |
| Weight | 0.25 kg (0.55 lb) 305mm, 0.85 kg (1.88 lb) 1219mm |
| Housing Material | Extruded aluminum, black powder-coated finish |
| Lens | Frosted polycarbonate |
| Connections | Integral male/female quick connectors |

| Environment | Condition |
|----------------------|--|
| Temperature Ranges | -40 to 50° C (-40 to 122° F) Operating |
| | -20 to 50° C (-4 to 122° F) Startup |
| | -40 to 80° C (-40 to 176° F) Storage |
| Vibration Resistance | N/A |
| Impact (Mechanical) | N/A |
| Corrosion Resistance | N/A |
| Humidity | 0 to 95%, non-condensing |

| Certification & Safety | Condition |
|------------------------|-------------------------|
| Approbation | ETL, CE |
| Environment | Dry/Damp Location, IP40 |

Dimensions



Photometrics

100° Frosted, 1219mm

| Photometric Data | | Condition |
|-------------------|--|-----------|
| Beam Angle | | 100° |
| LED | | 4000K |
| Lumens (lm) | | 1230lm |
| Input Power (W) | | 12W |
| Efficacy (lm/W) | | 107lm/W |
| Peak Candela (Cd) | | 487Cd |

| Zone | Lumens | % Luminaire |
|--------|---------|-------------|
| 0-30 | 373.9 | 29.2 |
| 0-40 | 602.9 | 47.1 |
| 0-60 | 1,018.9 | 79.7 |
| 60-90 | 228.4 | 17.9 |
| 70-100 | 100.9 | 7.9 |
| 90-120 | 15.6 | 1.2 |
| 0-90 | 1,247.4 | 97.5 |
| 90-180 | 31.4 | 2.5 |
| 0-180 | 1,278.8 | 100 |

| | Center Beam (fc/lx) | Beam Width (cm) |
|----|---------------------|-----------------|
| 1m | 45.10 / 485.48 | 240.9 |
| 2m | 11.28 / 121.37 | 481.8 |
| 3m | 5.01 / 53.94 | 722.7 |
| 4m | 2.82 / 30.34 | 963.6 |
| 5m | 1.80 / 19.42 | 1204.5 |

Luminaire and Accessories

| Luminaire | Item Code |
|--|-----------------------|
| 305mm Indoor 2700K 100° Linear Cove (ELV) | M11-00000635-0001-002 |
| 1219mm Indoor 2700K 100° Linear Cove (ELV) | M11-00000568-0001-002 |
| 305mm Indoor 3000K 100° Linear Cove (ELV) | M11-00000635-0001-001 |
| 1219mm Indoor 3000K 100° Linear Cove (ELV) | M11-00000568-0001-001 |
| 305mm Indoor 3500K 100° Linear Cove (ELV) | M11-00000635-0001-003 |
| 1219mm Indoor 3500K 100° Linear Cove (ELV) | M11-00000568-0001-003 |
| 305mm Indoor 4000K 100° Linear Cove (ELV) | M11-00000635-0001-004 |
| 1219mm Indoor 4000K 100° Linear Cove (ELV) | M11-00000568-0001-004 |

| Luminaire | Item Code |
|---|-----------------------|
| 305mm Indoor Red 100° Linear Cove (ELV) | M11-00000635-0001-005 |
| 1219mm Indoor Red 100° Linear Cove (ELV) | M11-00000568-0001-005 |
| 305mm Indoor Green 100° Linear Cove (ELV) | M11-00000635-0001-006 |
| 1219mm Indoor Green 100° Linear Cove (ELV) | M11-00000568-0001-006 |
| 305mm Indoor Royal Blue 100° Linear Cove (ELV) | M11-00000635-0001-007 |
| 1219mm Indoor Royal Blue 100° Linear Cove (ELV) | M11-00000568-0001-007 |
| 305mm Indoor PC Amber 100° Linear Cove (ELV) | M11-00000635-0001-008 |
| 1219mm Indoor PC Amber 100° Linear Cove (ELV) | M11-00000568-0001-008 |

| Accessories | Item Code |
|-------------------------|-------------------|
| 10' Starter Cable + Cap | T16-00000025-0001 |
| 2' Jumper Cable | T16-00000327-0001 |

Architectural FX
Unit 10 Longshot Lane Bracknell RG12 1RL
T +44 (0) 1344 291536
E info@afx.lighting
W www.afx.lighting

All rights reserved. Specifications are subject to change without notice. No representation or warranty as to the accuracy or completeness of the information included herein is given and any liability for any action in reliance thereon is disclaimed.