

Neon Overview



An extensive portfolio of 24v and 48v, Flexible encapsulated Homogenous LED products to create custom made/bespoke solutions for specific project applications.

For Interior or Exterior use. Ingress protection ratings of IP66, IP67 & IP68.

Bridgelux, Nichia, LED of the highest quality. "One Bin Only" within <2 SDCM guarantees constant color temperature and highest light quality at a lifetime of > 60,000 h (L80/B10).

Single Colour Monochromatic, Tunable White, Dim to Warm and RGB/W, Pixelated Colour change options available.
Up to CRI 90 R9 80.

Fixtures assembled in the UK

Compatible control protocols

Mains Triac, 0-10v, Dali 2, Dali (DT) 8, DMX

eldoLED
your product | our drive

Casambi and Xicato Qualified Bluetooth SIG Mesh



Electrical & output data

Input Voltage 24 or 48 Volt DC Constant Voltage

Temperature range: -20 to +45°C

Ambient temperature: + 10 to +70°C

Storage temperature Ts min = -30°C, Ts max = 85°C

Dimmable – Mains (Triac), 0-10v, Dali, DMX

Protected against electrostatic discharge +/- 2,000 V

Lifetime and Warranty (See full Architectural FX total system warranty for more detail)

Lifespan Up to L80/B10: 60,000 hours

Product availability lifetime – 3 years from last order

End of Lifetime guarantee 5 years

3 or 5 Years warranty

Neon 3D White IP67



General Information

Flexible LED strip in UV, chlorine, saltwater, solvent and heat-resistant special silicone for indoor- and outdoor use IP67 (Standard)

7.2w, 144 LED, 500 lumens per m

Single Colour White 2200, 2700k, 3000k, 4400k (Finished CCT)

Cuttable every 41.66mm

LED spacing: 6.9mm

Width 15mm x Height 15mm

Bending diameter: 60mm

Max Single length 5m, in-feeder connector and an end cap as provided

Customized length with sealed connectors on request.

Constant light output and extended lifetime due to an integrated constant current source on the circuit board.

Electrical & output data

Input Voltage 24 Volt DC Constant Voltage (23 V min, 25 V max)
 Working Temperature range: -20 to +55°C
 Storage temperature Ts min = 0°C, Ts max = 60°C
 Dimmable – Mains (Triac), 0-10v, Dali, DMX
 Protected against electrostatic discharge +/- 2,000 V

Lifetime and Warranty (See full Architectural FX total system warranty for more detail)

Lifespan L70: 36,000 hours
 Product availability lifetime – 3 years from last order
 End of Lifetime guarantee 5 years
 The above data are typical values. Due to tolerances in the production process and electrical components, Values for light output and electrical power can vary up to 10%.



Maximum bending radius 60mm
 (See Installation manual for more detail)

Product Reference builder

Generic Product	Product Type	Bend Orientation	Colour (Finished CCT)	w/m	Mounting Accessory	Cable Entry
Neon	3D	All (Side, Top, Twist)	2200k	7.2w	MP - Mounting Profile	End (Standard)
			2700k		MC - Mounting Clip	
			3000k		FMP - Flexible Mounting Profile	
			4400k			
			Red, Green, Blue, Yellow			

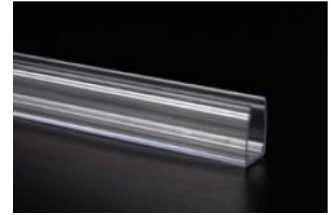
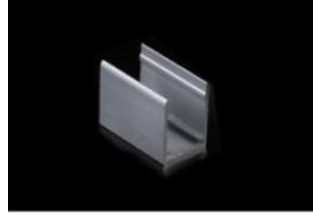
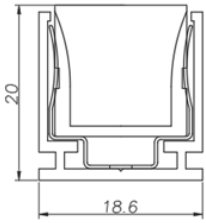
Example:

Neon 3D 2700k 7.2w IP67 (Custom length to suit project to be advised)



Mounting and connecting accessories

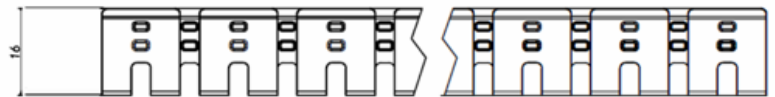
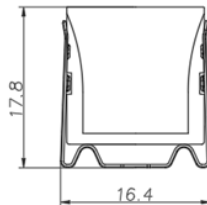
Aluminium or Polycarbonate mounting profile 2000mm or mounting clip 50mm



Pre-install clips for extra safety (Aluminium only)

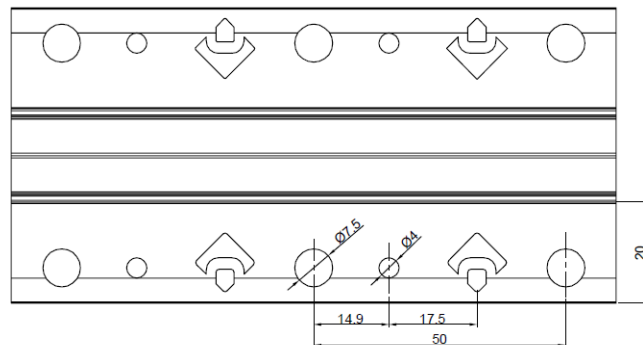
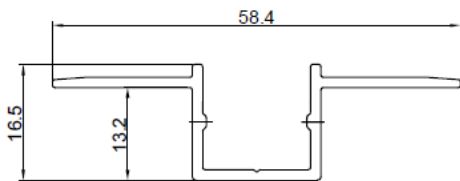


Flexible mounting profile Top or Side Bend or 3D 500mm



(Indicates product inside profile)

Plaster In mounting profile Top or Side Bend or 3D 1000mm



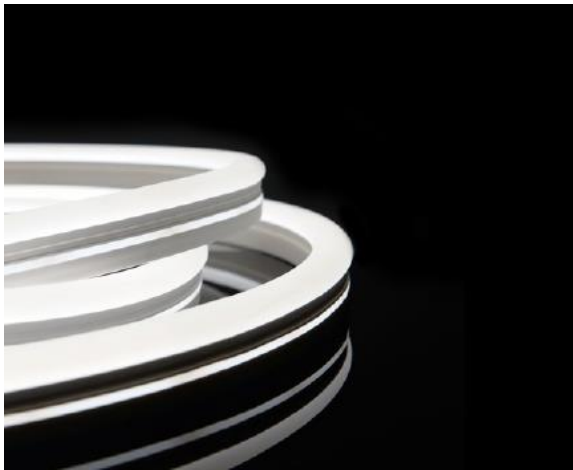
Architectural FX

Unit 13 & 14 Longshot Lane Bracknell Berkshire RG12 1RL

T +44 (0)1344 291536 E sales@architecturalfx.co.uk www.architecturalfx.co.uk



Neon 3D Tunable White IP67



General Information

Flexible LED strip in UV, chlorine, saltwater, solvent and heat-resistant special silicone for indoor- and outdoor use
IP67 (Standard)

Designed with Co-extrusion Moulding Technology

12w, 192 LED, 570 lumens per m (100% output both channels)

Tunable White 2100 - 4400k (Finished CCT)

Cuttable every 31.25mm (Cuttable on site at relevant marked cut points)

LED spacing: 5mm

Width 15mm x Height 15mm

Bending diameter: 120mm

Max Single length 5m, in-feeder connector and an end cap as provided

Customized length with sealed connectors on request.

Constant light output and extended lifetime due to an integrated constant current source on the circuit board.

Electrical & output data

Input Voltage 24 Volt DC Constant Voltage (23 V min, 25 V max)
Working Temperature range: -20 to +55°C
Storage temperature Ts min = 0°C, Ts max = 60°C
Dimmable – 0-10v, Dali, DMX
Protected against electrostatic discharge +/- 2,000 V

Lifetime and Warranty (See full Architectural FX total system warranty for more detail)

Lifespan L70: 36,000 hours
Product availability lifetime – 3 years from last order
End of Lifetime guarantee 5 years
The above data are typical values. Due to tolerances in the production process and electrical components, Values for light output and electrical power can vary up to 10%.



Maximum bending radius 60mm
(See Installation manual for more detail)

Product Reference builder

Generic Product	Product Type	Bend Orientation	Colour (Finished CCT)	w/m	Mounting Accessory	Cable Entry
Neon	3D	All (Side, Top, Twist)	2100 - 4400k	12w	MP - Mounting Profile	End (Standard)

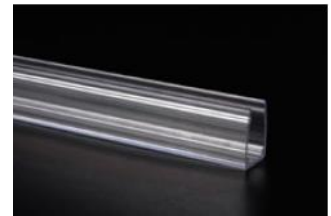
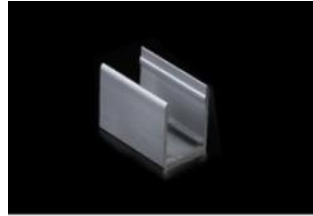
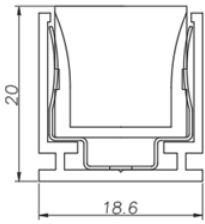
Product reference:

Neon 3D 2100-4400k 12w IP67 (Custom length to suit project to be advised)



Mounting and connecting accessories

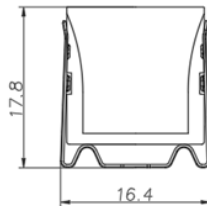
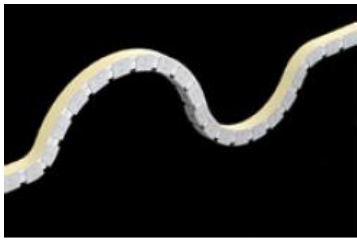
Aluminium or Polycarbonate mounting profile 2000mm or mounting clip 50mm



Pre-install clips for extra safety (Aluminium only)

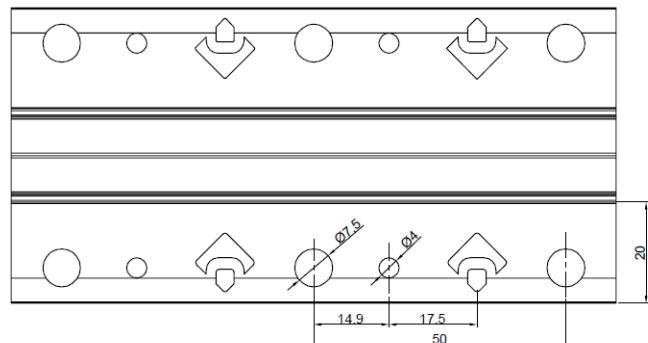
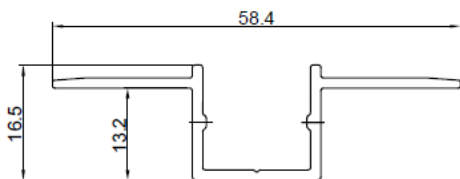


Flexible mounting profile Top or Side Bend or 3D 500mm



(Indicates product inside profile)

Plaster In mounting profile Top or Side Bend or 3D 1000mm



Architectural FX

Unit 10 Longshot Lane Bracknell Berkshire RG12 1RL

T +44 (0)1344 291536 E sales@architecturalfx.co.uk www.architecturalfx.co.uk



Neon 3 SD White IP67



General Information

3 Sided illuminated homogenous line of light

Flexible LED strip in UV, chlorine, saltwater, solvent and heat-resistant special silicone for indoor- and outdoor use
IP67 (Standard)

11w, 750 lumens per m

Single Colour White 2200, 2700k, 3000k, 4400k 5000k (Finished CCT)

Cuttable every 38.5mm

LED spacing: 6.9mm

Width 13mm x Height 12mm

Bending diameter: 60mm

Max Single length 10m, in-feeder connector and end cap as provided

Customized length with sealed connectors on request.

Constant light output and extended lifetime due to an integrated constant current source on the circuit board.

Electrical & output data

Input Voltage 24 Volt DC Constant Voltage (23 V min, 25 V max)

Working Temperature range: -20 to +55°C

Storage temperature Ts min = 0°C, Ts max = 60°C

Dimmable – Mains (Triac), 0-10v, Dali, DMX

Protected against electrostatic discharge +/- 2,000 V

Lifetime and Warranty (See full Architectural FX total system warranty for more detail)

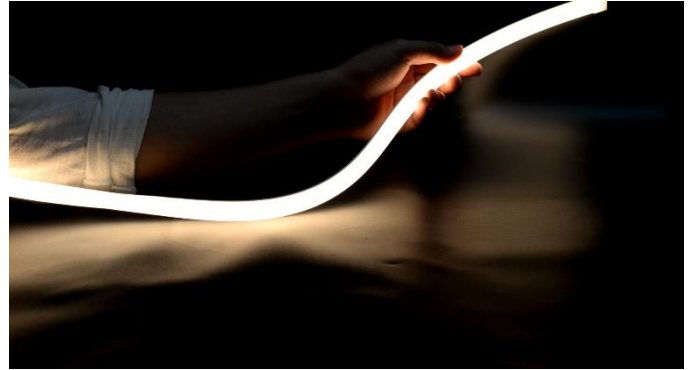
Lifespan L70: 36,000 hours

Product availability lifetime – 3 years from last order

End of Lifetime guarantee 5 years

The above data are typical values. Due to tolerances in the production process and electrical components, Values for light output and electrical power can vary up to 10%.

Maximum bending radius 60mm
 (See Installation manual for more detail)



Product Reference builder

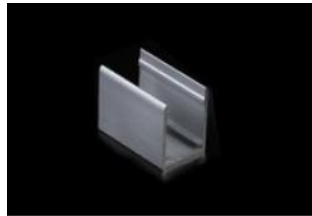
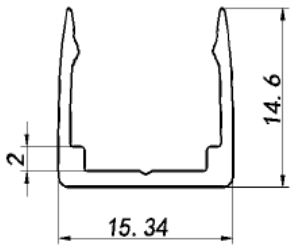
Generic Product	Product Type	Bend Orientation	Colour (Finished CCT)	w/m	Mounting Accessory	Cable Entry
Neon	3 Sided	Top	2200k	11w	MP - Mounting Profile	End (Standard)
			2700k		MC - Mounting Clip	
			3000k		FMP - Flexible Mounting Profile	
			4400k			
			5000k			

Example:
 Neon 3SD 2700k 11w IP67 (Custom length to suit project to be advised)



Mounting and connecting accessories

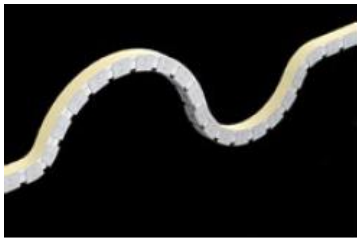
Aluminium or Polycarbonate mounting profile 2000mm or mounting clip 50mm



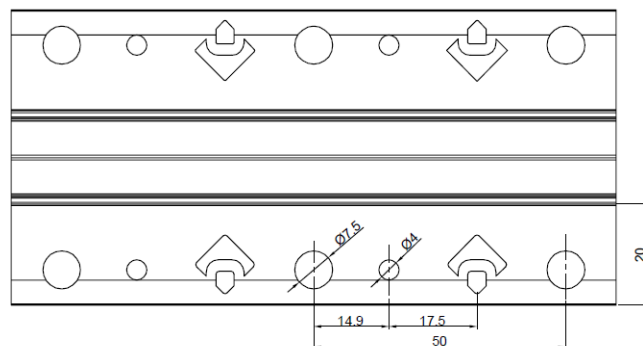
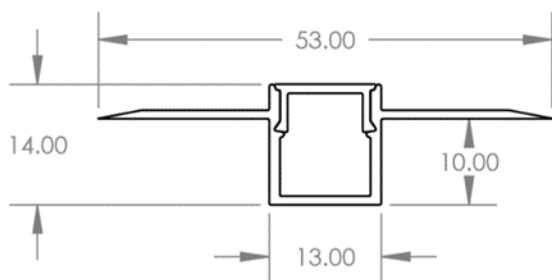
Pre-install clips for extra safety (Aluminium only)



Flexible mounting profile Top Bend 500mm



Plaster In mounting profile Top 1000mm

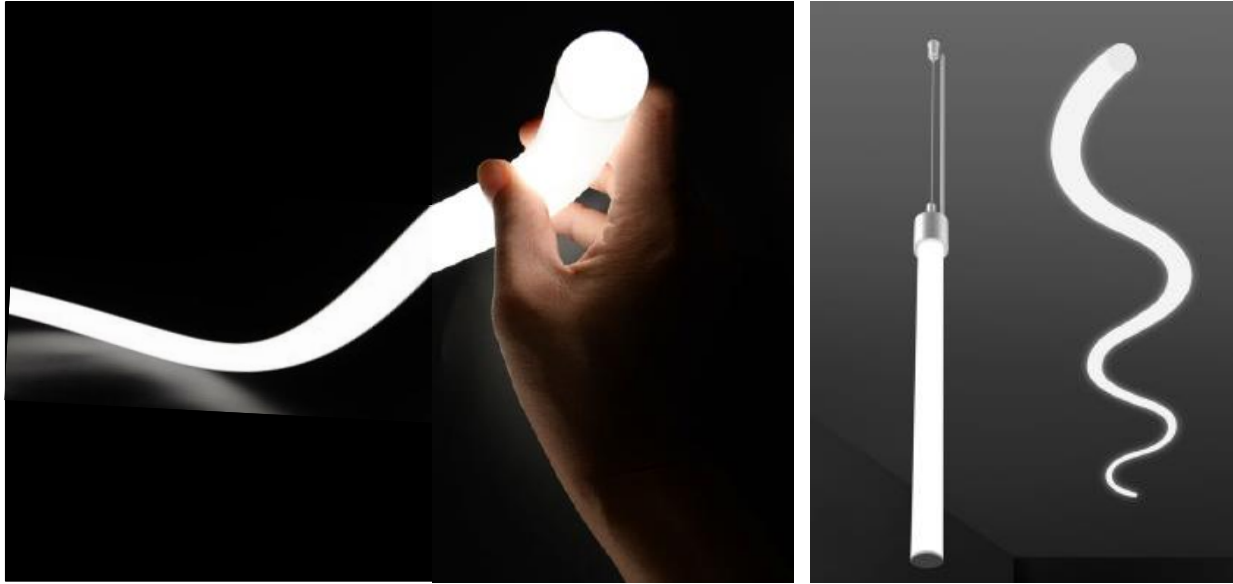


Architectural FX

Unit 10 Longshot Lane Bracknell Berkshire RG12 1RL

T +44 (0)1344 291536 E sales@architecturalfx.co.uk www.architecturalfx.co.uk

Neon 3D 360



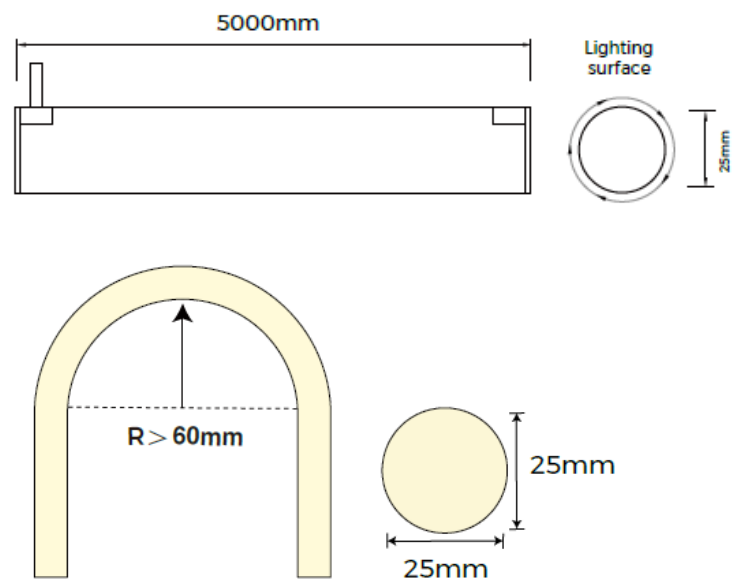
360° Uniform round luminous glowing surface design, IP65.

High luminous efficacy, homogeneous lighting, LM80 proved.

Adopt environmental silicone material featuring good resistance to saline solutions, acid and alkali, corrosive gases, fire and UV.

Pendant and surface mounted applications. Widely used for indoor decoration, landscape lighting, building exterior structure. UL, CE, Rohs certified. 3 Years Warranty. L70: 36,000hrs.

Series	Curve luminous surface series
Model	NNR25
Size (mm)	5000×Φ25
White light	24VDC
Min cut (mm)	41.66
Max.power (W/m)	16
Typ.power (W/m)	14.4
Lumens (LM/m)	900/950/950/900
CCT / Color	2300 K 2700 K 3000 K 4000 K
CRI	>80/90
Min bending radius (mm)	>60
IP	IP65



Electrical & output data

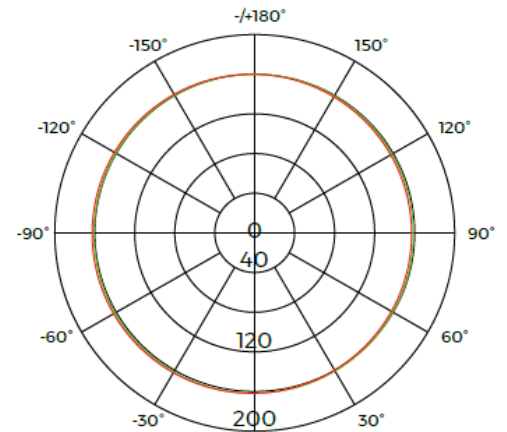
- Input Voltage 24 Volt DC Constant Voltage (23 V min, 25 V max)
- Temperature range: -20 to +45 °C
- Ambient temperature: + 10 to +45 °C
- Storage temperature Ts min = -30°C, Ts max = 85°C
- Dimmable – Mains (Triac), 0-10v, Dali, DMX
- Protected against electrostatic discharge +/- 2,000 V

Lifetime and Warranty

(See full Architectural FX total system warranty for more detail)

- Lifespan L70 36,000 hours
- Product availability lifetime – 3 years from last order
- End of Lifetime guarantee 5 years

PHOTOMETRIC OF 1M STRIP



*The above data are typical values. Due to tolerances in the production process and electrical components, values for light output and electrical power can vary up to 10%.

Recommended Accessories

PC Carrier L: 1000mm, With screws



PC Clip L: 25mm, With screws



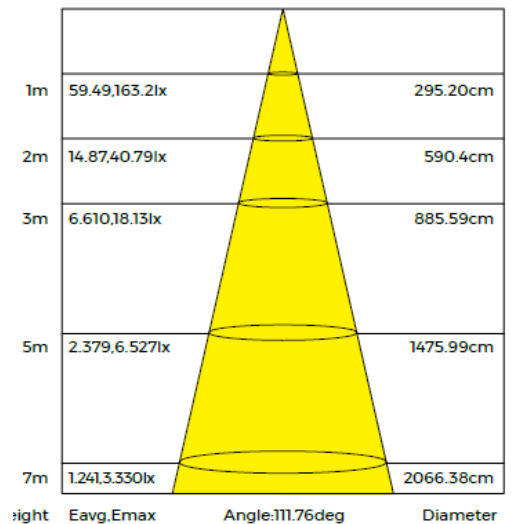
End cap set One end cap+one plug



End cap set One end cap+one plug



Pendant cable Accessories for hanging lifting



Product Reference builder

Generic Product	Product Type	CRI	Finished CCT	W/m	Mounting Accessory	Cable Entry
Neon	360	9 - >90	23 - 2300K	14.4W	MP - PC Carrier	D – Dual End
			27 - 2700k		MC - PC Clip	R - Rear
			30 - 3000k		EC2 - End Cap Set	S - Side
			40 - 4000k		PC – Pendant cable	

Example:
360 9 23 14.4W EC2/PC R



Neon Side White IP68



General Information

Flexible LED strip sealed in UV, chlorine, salt-water and solvent-resistant white PVC, for indoor and outdoor use
12w, 144 LED, 320 lumens per m
Single Colour White 2000, 2200, 2400, 2700, 3000, 4000 (Finished CCT)
CRI >80
Cutable every 83.3 mm or 12 LEDs
LED spacing: 6.94 mm
Width 11.5mm x Height 21mm
Easy installation due to solder-free connectors.
Bending radius: 120mm
Max Single length 10m, in-feeder connector and an end cap provided
Customized length with sealed connectors on request.
Constant light output and extended lifetime due to an integrated constant current source on the circuit board.

Electrical & output data

Input Voltage 24 Volt DC Constant Voltage (23 V min, 25 V max)
Temperature range: -20 to +45 °C
Ambient temperature: + 10 to +45 °C
Storage temperature Ts min = -30°C, Ts max = 85°C
Dimmable – Mains (Triac), 0-10v, Dali, DMX

Lifetime and Warranty (See full Architectural FX total system warranty for more detail)

Lifespan L70: 50,000 hours
Product availability lifetime – 3 years from last order
End of Lifetime guarantee 5 years
The above data are typical values. Due to tolerances in the production process and electrical components, values for light output and electrical power can vary up to 10%.



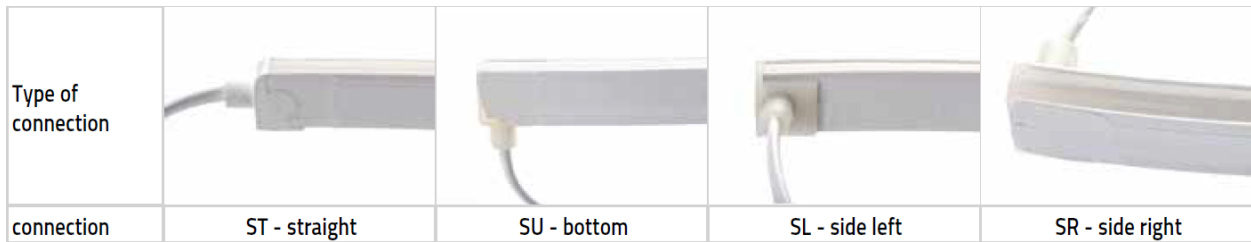
Product Reference builder

Generic Product	Product Type	Bend Orientation	Colour (Finished CCT)	w/m	Mounting Accessory	Cable Entry
Neon	White	Side	2000k	12w	MC - 50mm Clip	End (Standard)
			2200k		MP – Mounting Profile	Side Left - SL
			2400k			Side Right – SR
			2700k			Rear - R
			3000k			
			4000k			
			5700k			

Example:

Neon Side 2200k 11w MC E (Custom length to suit project to be advised)

Customized length with sealed connectors on request.

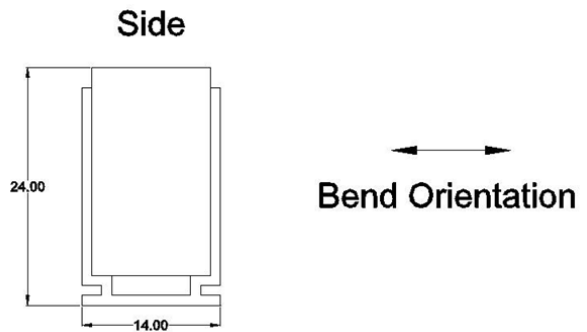
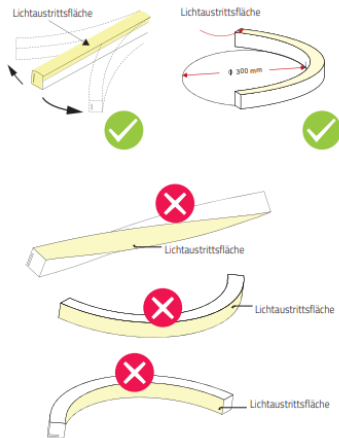


***IP20 quick connects available, along with quick seal end entry connections from stock**

Compatible Accessories (See Accessories data sheet for full details)



Note: Do not twist or bend against bend orientation on install



Architectural FX

Unit 13 & 14 Longshot Lane Bracknell Berkshire RG12 1RL

T +44 (0)1344 291536 E sales@architecturalfx.co.uk www.architecturalfx.co.uk

Neon SVQ (Top View Side Bend) White IP68



General Information

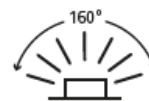
Flexible LED strip sealed in UV, chlorine, salt-water and solvent-resistant white PVC, for indoor and outdoor use
 12w, 108 LED, 450 lumens per m
 Single Colour White 2200, 2400, 2700, 3000, 4000 (Finished CCT)
 CRI >80
 Cuttable every 55.6mm or 6 LEDs
 LED spacing: 9.26mm
 Width 16mm x Height 17mm
 Easy installation due to solder-free connectors.
 Bending radius: 300mm
 Max Single length 10m, in-feeder connector and an end cap provided
 Customized length with sealed connectors on request.
 Constant light output and extended lifetime due to an integrated constant current source on the circuit board.

Electrical & output data

Input Voltage 24 Volt DC Constant Voltage (23 V min, 25 V max)
 Temperature range: -20 to +45 °C
 Ambient temperature: + 10 to +45 °C
 Storage temperature Ts min = -30°C, Ts max = 85°C
 Dimmable – Mains (Triac), 0-10v, Dali, DMX

Lifetime and Warranty (See full Architectural FX total system warranty for more detail)

Lifespan L70: 50,000 hours
 Product availability lifetime – 3 years from last order
 End of Lifetime guarantee 5 years
 The above data are typical values. Due to tolerances in the production process and electrical components, values for light output and electrical power can vary up to 10%.



Energy efficiency class



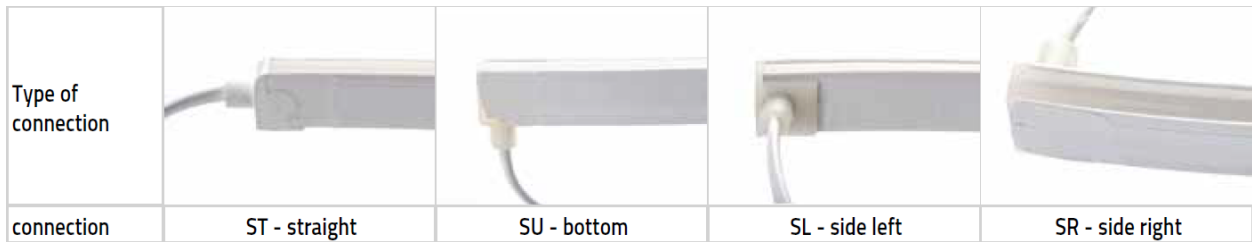
Product Reference builder

Generic Product	Product Type	Bend Orientation	Colour (Finished CCT)	w/m	Mounting Accessory	Cable Entry
Neon	White	Side	2000k	12w	MC - 50mm Clip	End (Standard)
			2200k		MP – Mounting Profile	Side Left - SL
			2400k			Side Right – SR
			2700k			Rear - R
			3000k			
			4000k			
			5700k			

Example:

Neon SVQ 2200k 12w MC E (Custom length to suit project to be advised)

Customized length with sealed connectors on request.

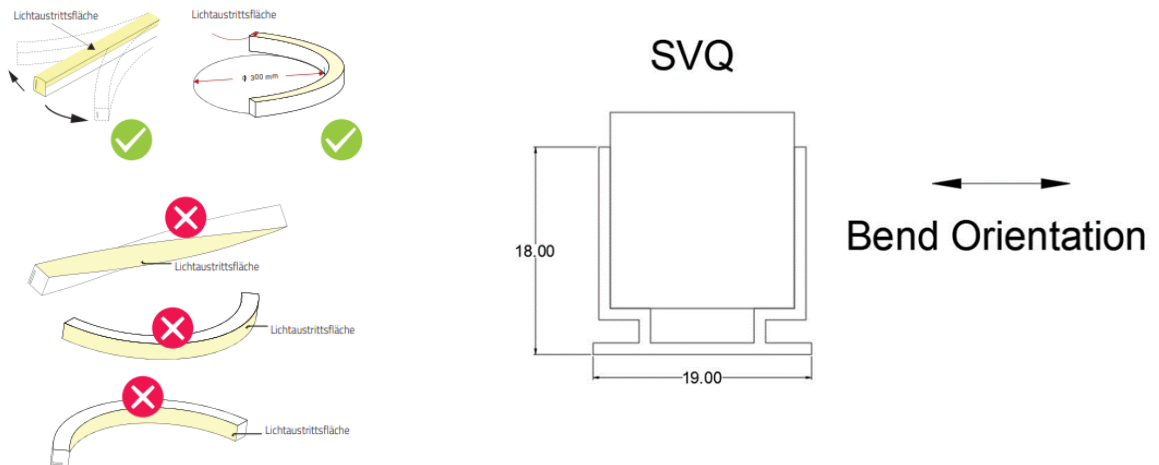


***IP20 quick connects available, along with quick seal end entry connections from stock**

Compatible Accessories (See Accessories data sheet for full details)



Note: Do not twist or bend against bend orientation on install



Architectural FX

Unit 10 Longshot Lane Industrial Estate Bracknell Berkshire RG12 1RL
 T +44 (0) 1344 291536 E info@afx.lighting W www.afx.lighting



Neon TVQ White IP68



General Information

Flexible LED strip sealed in UV, chlorine, salt-water and solvent-resistant white PVC, for indoor and outdoor use, IP68
11w, 495 lumens per m

Single Colour White 2000, 2200, 2400, 2700, 3000, 4000 (Finished CCT)

CRI >80

Cuttable every 55.6mm

Width 16mm x Height 17mm

Easy installation due to solder-free connectors

Bending diameter: 300mm

Max Single length 10m, in-feeder connector and an end cap provided

Customized length with sealed connectors on request.

Constant light output and extended lifetime due to an integrated constant current source on the circuit board.

Electrical & output data

Input Voltage 24 Volt DC Constant Voltage (23 V min, 25 V max)

Temperature range: -20 to +45 °C

Ambient temperature: + 10 to +45 °C

Storage temperature Ts min = -30°C, Ts max = 85°C

Dimmable – Mains (Triac), 0-10v, Dali, DMX

Lifetime and Warranty (See full Architectural FX total system warranty for more detail)

Lifespan L70: 50,000 hours

Product availability lifetime – 3 years from last order

End of Lifetime guarantee 5 years

The above data are typical values. Due to tolerances in the production process and electrical components, values for light output and electrical power can vary up to 10%.



Energy efficiency class **B**

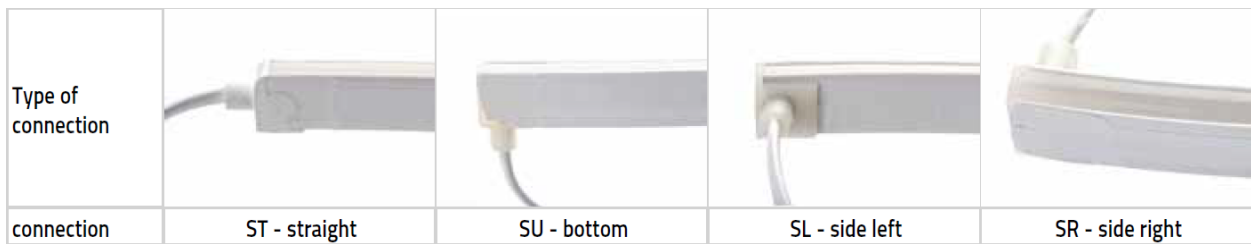
Product Reference builder

Generic Product	Product Type	Bend Orientation	Colour (Finished CCT)	w/m	Mounting Accessory	Cable Entry
Neon	Top	Top	2000k	11w	MC - 50mm Clip	End (Standard)
			2200k	11w	MP – Mounting Profile	Side Left - SL
			2400k	11w		Side Right – SR
			2700k	11w		Rear - R
			3000k	11w		
			4000k	11w		
			5700k	11w		

Example:

Neon Top 2200k 11w MC E (Custom length to suit project to be advised)

Customized length with sealed connectors on request.

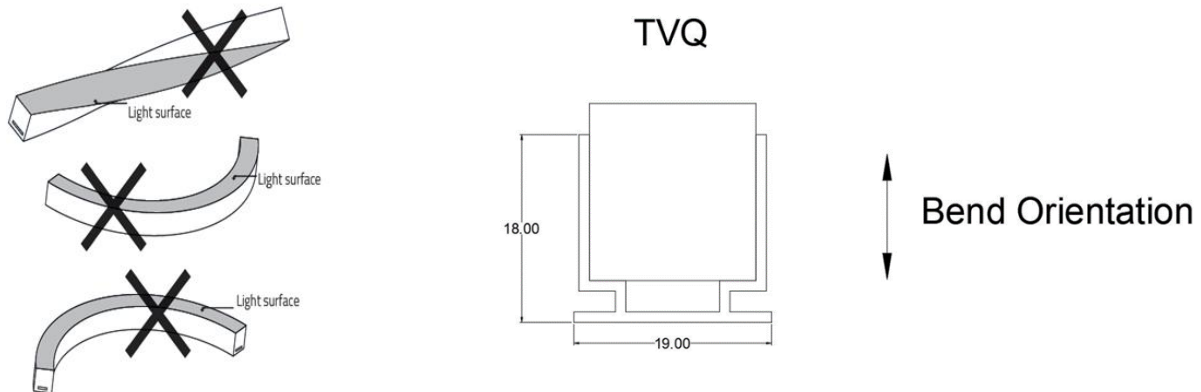


***IP20 quick connects available, along with quick seal end entry connections from stock**

Compatible Accessories (See Accessories data sheet for full details)



Note: Do not twist or bend against bend orientation on install



Architectural FX

Unit 10 Longshot Lane Industrial Estate Bracknell Berkshire RG12 1RL
 T +44 (0) 1344 291536 E info@afx.lighting W www.afx.lighting



Neon SVQ (Top View Side Bend) Black IP68



General Information

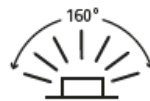
Flexible LED strip sealed in UV, chlorine, salt-water and solvent-resistant white PVC, for indoor and outdoor use, IP68
12w, 97 lumens per m
Single Colour White 2200, 2400, 2700, 3000, 4000 (Finished CCT)
CRI >80
Cuttable every 55.6mm
Width 16mm x Height 17mm
Easy installation due to solder-free connectors.
Bending diameter: 300mm
Max Single length 10m, in-feeder connector and an end cap provided
Customized length with sealed connectors on request.
Constant light output and extended lifetime due to an integrated constant current source on the circuit board.

Electrical & output data

Input Voltage 24 Volt DC Constant Voltage (23 V min, 25 V max)
Temperature range: -20 to +45 °C
Ambient temperature: + 10 to +45 °C
Storage temperature Ts min = -30°C, Ts max = 85°C
Dimmable – Mains (Triac), 0-10v, Dali, DMX

Lifetime and Warranty (See full Architectural FX total system warranty for more detail)

Lifespan L70: 36,000 hours
Product availability lifetime – 3 years from last order
End of Lifetime guarantee 5 years
The above data are typical values. Due to tolerances in the production process and electrical components, values for light output and electrical power can vary up to 10%.



Energy efficiency class



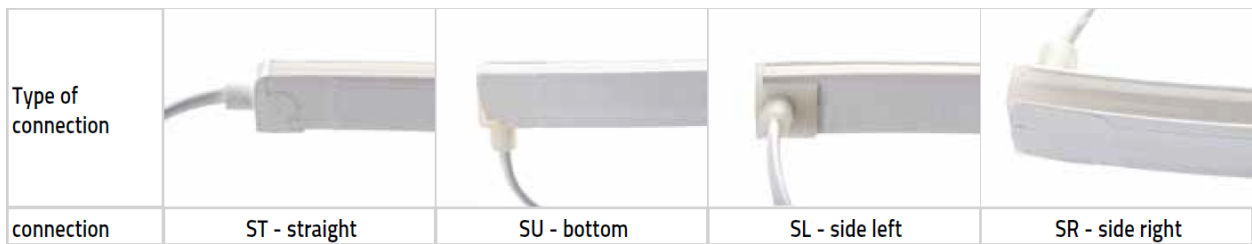
Product Reference builder

Generic Product	Product Type	Bend Orientation	Colour (Finished CCT)	w/m	Mounting Accessory	Cable Entry
Neon	SVQ Black	Side	2000k	12w	MC - 50mm Clip	End (Standard)
			2200k	12w	MP – Mounting Profile	Side Left - SL
			2400k	12w		Side Right – SR
			2700k	12w		Rear - R
			3000k	12w		
			4000k	12w		
			5700k	12w		

Example:

Neon SVQ Black 2200k 12w MC E (Custom length to suit project to be advised)

Customized length with sealed connectors on request.

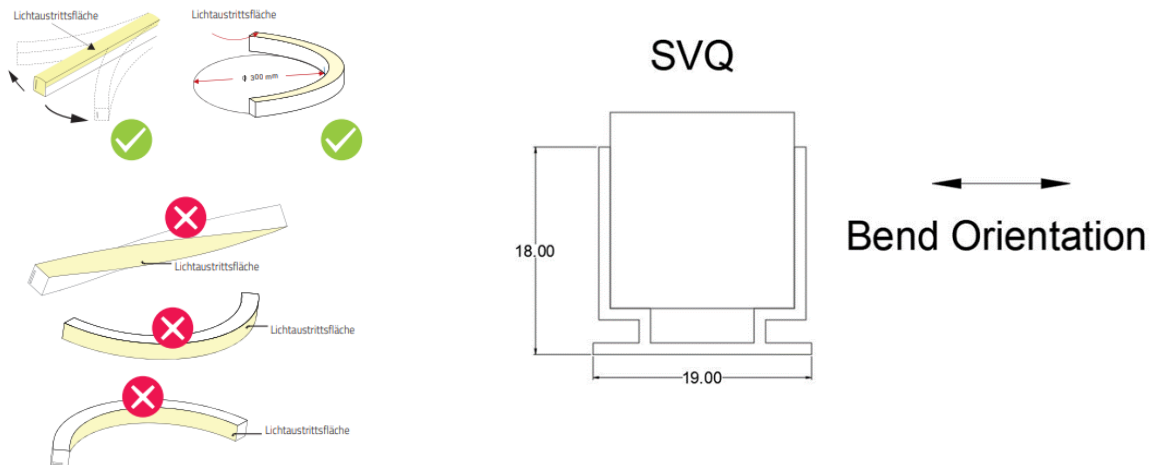


***IP20 quick connects available, along with quick seal end entry connections from stock**

Compatible Accessories (See Accessories data sheet for full details)



Note: Do not twist or bend against bend orientation on install



Architectural FX

Unit 10 Longshot Lane Industrial Estate Bracknell Berkshire RG12 1RL
 T +44 (0) 1344 291536 E info@afx.lighting W www.afx.lighting



Neon TVQ Black IP68



General Information

Flexible LED strip sealed in UV, chlorine, salt-water and solvent-resistant white PVC, for indoor and outdoor use, IP68
12w, 97 lumens per m
Single Colour White 2000, 2200, 2400, 2700, 3000, 4000 (Finished CCT)
CRI >80
Cutttable every 55.6mm
Width 16mm x Height 17mm
Easy installation due to solder-free connectors
Bending diameter: 300mm
Max Single length 10m, in-feeder connector and an end cap provided
Customized length with sealed connectors on request.
Constant light output and extended lifetime due to an integrated constant current source on the circuit board.

Electrical & output data

Input Voltage 24 Volt DC Constant Voltage (23 V min, 25 V max)
Temperature range: -20 to +45 °C
Ambient temperature: + 10 to +45 °C
Storage temperature Ts min = -30°C, Ts max = 85°C
Dimmable – Mains (Triac), 0-10v, Dali, DMX

Lifetime and Warranty (See full Architectural FX total system warranty for more detail)

Lifespan L70: 50,000 hours
Product availability lifetime – 3 years from last order
End of Lifetime guarantee 5 years
The above data are typical values. Due to tolerances in the production process and electrical components, values for light output and electrical power can vary up to 10%.



Energy efficiency class **B**

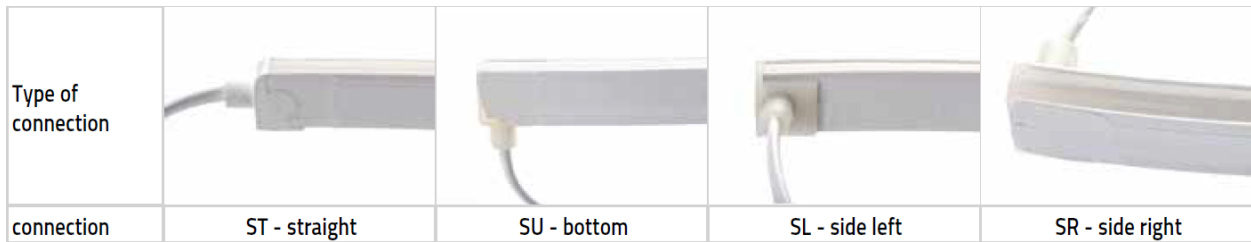
Product Reference builder

Generic Product	Product Type	Bend Orientation	Colour (Finished CCT)	w/m	Mounting Accessory	Cable Entry
Neon	TVQ Black	Top	2000k	12w	MC - 50mm Clip	End (Standard)
			2200k	12w	MP – Mounting Profile	Side Left - SL
			2400k	12w		Side Right – SR
			2700k	12w		Rear - R
			3000k	12w		
			4000k	12w		
			5700k	12w		

Example:

Neon TVQ 2700k 12w MC E (Custom length to suit project to be advised)

Customized length with sealed connectors on request.

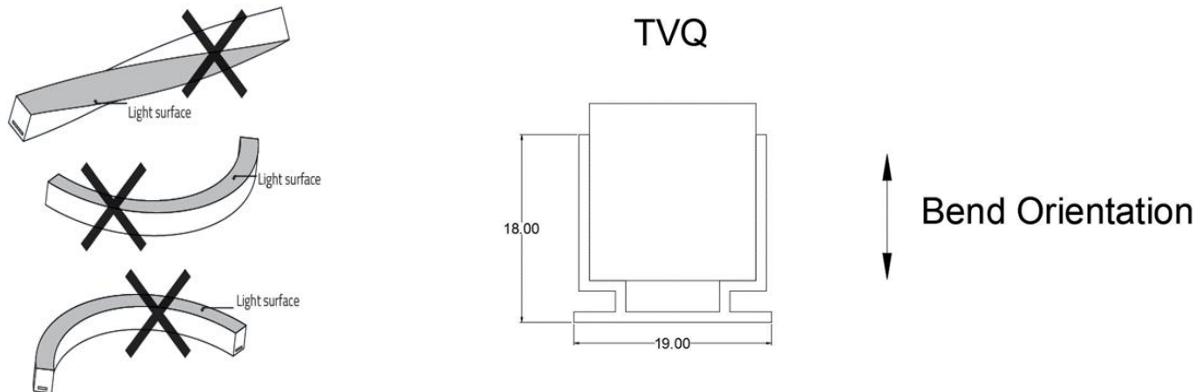


***IP20 quick connects available, along with quick seal end entry connections from stock**

Compatible Accessories (See Accessories data sheet for full details)



Note: Do not twist or bend against bend orientation on install



Architectural FX

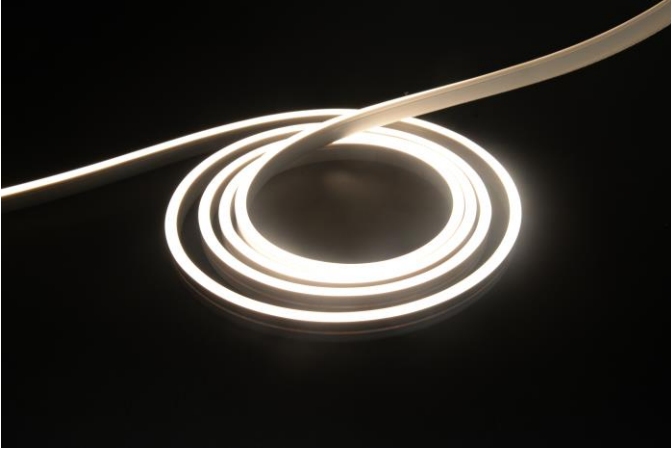
Unit 10 Longshot Lane Industrial Estate Bracknell Berkshire RG12 1RL

T +44 (0) 1344 291536 E info@afx.lighting W www.afx.lighting



ARCHITECTURAL FX

Neon 0410 SV IP65



General Information

Flexible IP65 with uniform lighting surface

High light transmittance, environmental silicone material, integrated extrusion molding technology, IP65.

Power 7.2w/m

Step Length 41.66mm

24v DC Constant Voltage

Beam angle: 120°

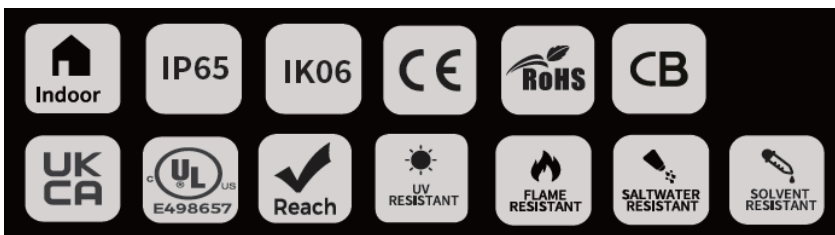
CRI >90

Lifespan L70 ≥ 36,000 hours

Dimmable – DALI, DMX, 0-10v

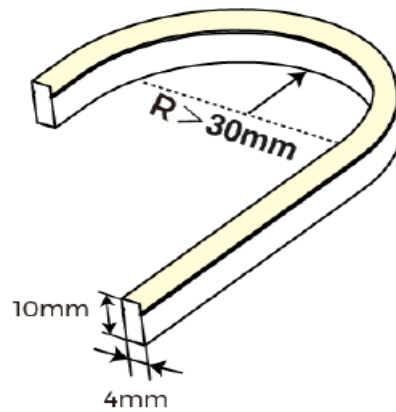
AFX Code	w/m	CCT (k)	lm/m	CRI	Step length (mm)	Max single length (m)	Lifespan (hrs)
0410	7.2w	2300k	240	>90	41.66	5m	L70 >36,000
0410	7.2w	2700k	250	>90	41.66	5m	L70 >36,000
0410	7.2w	3000k	260	>90	41.66	5m	L70 >36,000
0410	7.2w	4000k	270	>90	41.66	5m	L70 >36,000
0410	7.2w	Red	R 620-630nm	-	41.66	5m	L70 >36,000
0410	7.2w	Green	G 525-530nm	-	41.66	5m	L70 >36,000
0410	7.2w	Blue	B 465-470nm	-	41.66	5m	L70 >36,000
0410	7.2w	Yellow	Y 587-592nm	-	41.66	5m	L70 >36,000

(Example full Luminaire Reference: Neon 0410 SV 2700k 7.2w IP65)

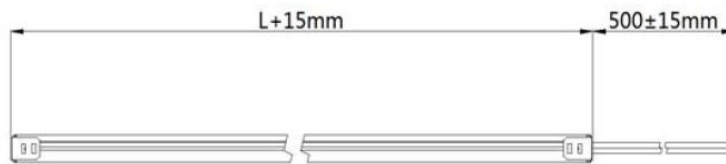
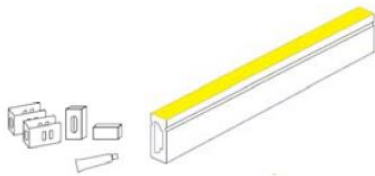


Compatible Accessories (See Accessories data sheet for full details)

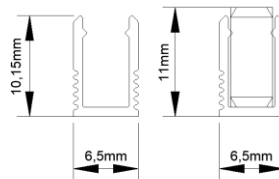
▼ Bending application



IP65 metal clip + silicone end cap



Aluminum mounting channel – 1000mm length or 5No Clips per m;



Architectural FX

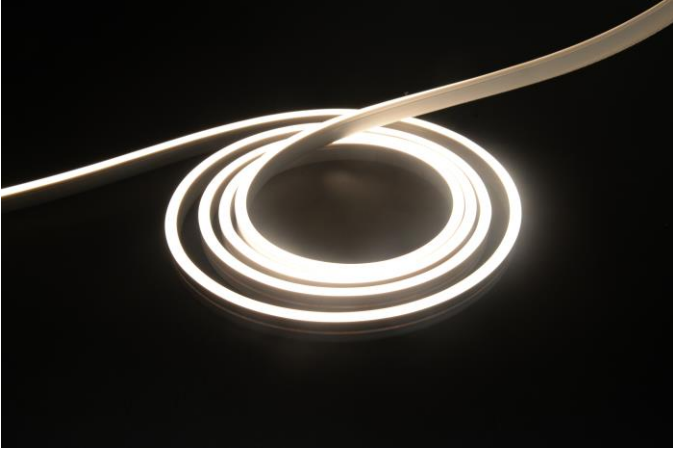
Unit 10 Longshot Lane Bracknell Berkshire RG12 1RL

T +44 (0)1344 291536 E sales@afx.lighting www.afx.lighting



ARCHITECTURAL FX

Neon 0612 SV IP65



General Information

Flexible IP65 with uniform lighting surface

High light transmittance, environmental silicone material, integrated extrusion molding technology, IP65.

Power 9.6w/m

Step Length 50mm

24v DC Constant Voltage

Beam angle: 120°

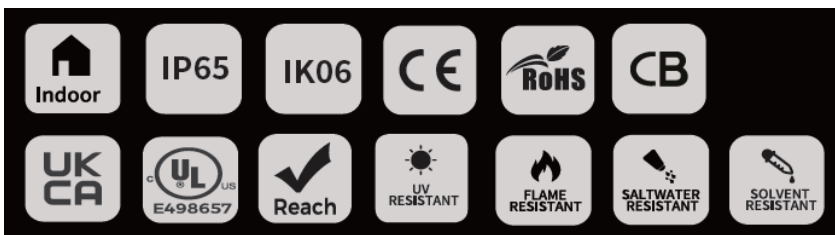
CRI >90

Lifespan L70 ≥ 36,000 hours

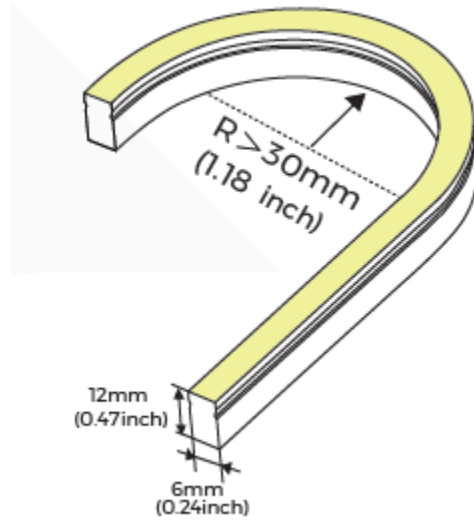
Dimmable – DALI, DMX, 0-10v

AFX Code	w/m	CCT (k)	lm/m	CRI	Step length (mm)	Max single length (m)	Lifespan (hrs)
0612	9.6w	2300k	250	>90	50mm	5m	L70 >36,000
0612	9.6w	2700k	280	>90	50mm	5m	L70 >36,000
0612	9.6w	3000k	280	>90	50mm	5m	L70 >36,000
0612	9.6w	4000k	280	>90	50mm	5m	L70 >36,000
0612	9.6w	Red	R 620-630nm	-	50mm	5m	L70 >36,000
0612	9.6w	Green	G 525-530nm	-	50mm	5m	L70 >36,000
0612	9.6w	Blue	B 465-470nm	-	50mm	5m	L70 >36,000
0612	9.6w	Yellow	Y 587-592nm	-	50mm	5m	L70 >36,000

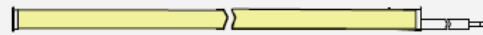
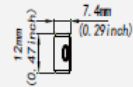
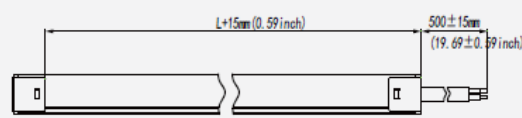
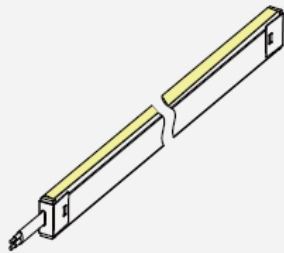
(Example full Luminaire Reference: Neon 0612 SV 2700k 7.2w IP65)



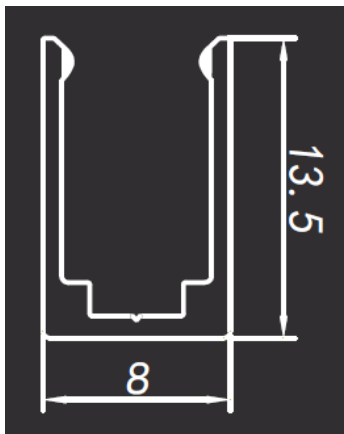
Compatible Accessories (See Accessories data sheet for full details)



• IP65 Metal cap-top outlet



Aluminum mounting channel – 1000mm length or 5x Clips per m (Recommended)



Architectural FX

Unit 10 Longshot Lane Bracknell Berkshire RG12 1RL
T +44 (0)1344 291536 E sales@afx.lighting www.afx.lighting

Neon Select SVQ (Top View Side Bend) White IP68



General Information

Flexible LED strip sealed in UV, chlorine, saltwater and solvent-resistant white Silicon, for indoor and outdoor use
IP68 rated

12w, 144 LED, 265 lumens per m

Tuneable White 1900-5700k, 2500-5000k, 2000-3200k (Finished CCT)

CRI >80

Cuttable every 83.3 mm or 12 LEDs

LED spacing: 6.94 mm

Width 11.5mm x Height 21mm

Easy installation due to solder-free connectors.

Bending radius: 120mm

Max Single length 10m, in-feeder connector and an end cap as provided

Customized length with sealed connectors on request.

Constant light output and extended lifetime due to an integrated constant current source on the circuit board.

Electrical & output data

Input Voltage 24 Volt DC Constant Voltage (23 V min, 25 V max)

Ambient operating Temperature range: -45 to +70 °C

Storage temperature Ts min = -30°C, Ts max = 85°C

Dimmable – Mains (Triac), 0-10v, Dali, DMX

Protected against electrostatic discharge +/- 2,000 V

Lifetime and Warranty (See full Architectural FX total system warranty for more detail)

Lifespan L70: 36,000 hours

Product availability lifetime – 3 years from last order

End of Lifetime guarantee 5 years

The above data are typical values. Due to tolerances in the production process and electrical components, values for light output and electrical power can vary up to 10%.

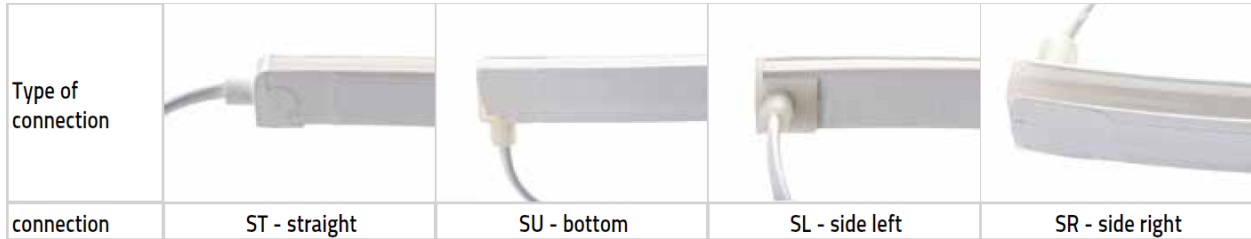
Product Reference builder

Generic Product	Product Type	Bend Orientation	Colour (Finished CCT)	w/m	Mounting Accessory	Cable Entry
Neon	Select	Side	1900-5700k	12w	MC - 50mm Clip	End (Standard)
			2500-5000k		MP – Mounting Profile	Side Left - SL
			2000-3200k			Side Right – SR
						Rear - R

Example:

Neon Select Side 1900-5700 12w MC E (Custom length to suit project to be advised)

Customized length with sealed connectors on request.

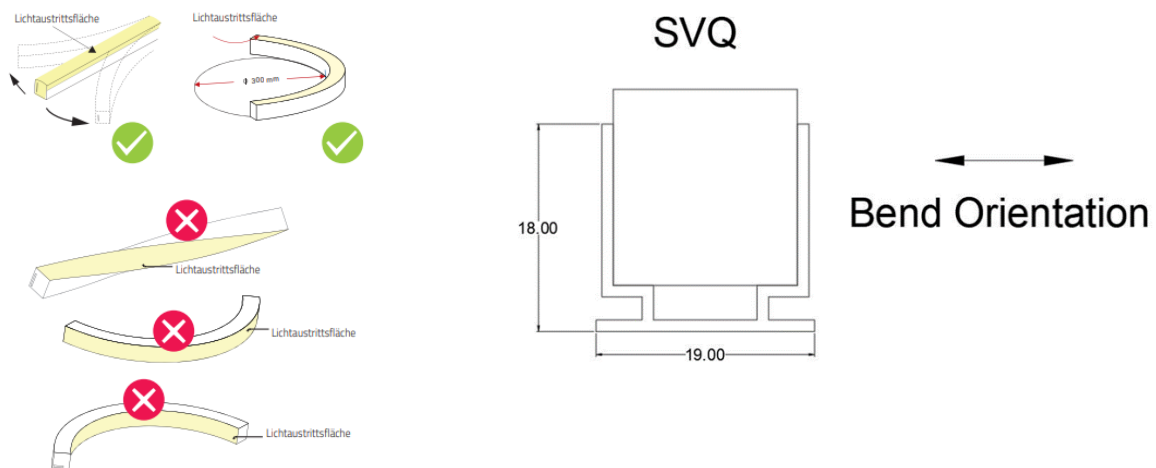


***IP20 quick connects available, along with quick seal end entry connections from stock**

Compatible Accessories (See Accessories data sheet for full details)



Note: Do not twist or bend against bend orientation on install



Architectural FX

Unit 13 & 14 Longshot Lane Bracknell Berkshire RG12 1RL

T +44 (0)1344 291536 E sales@architecturalfx.co.uk www.architecturalfx.co.uk

Neon Top Select IP68



General Information

Flexible LED strip sealed in UV, chlorine, salt water and solvent-resistant white PVC, for indoor and outdoor use
12w, 144 LED, 265 lumens per m
Tunable White 1900-5700k, 2000k-3200k, 2200k to 3500k, 2500-5000k (Finished CCT)
CRI >80
Cutttable every 83.3 mm or 12 LEDs
LED spacing: 6.94 mm
Width 16mm x Height 17mm
Easy installation due to solder-free connectors.
Bending radius: 300mm
Max Single length 10m, in-feeder connector and an end cap as provided
Customized length with sealed connectors on request.
Constant light output and extended lifetime due to an integrated constant current source on the circuit board.

Electrical & output data

Input Voltage 24 Volt DC Constant Voltage (23 V min, 25 V max)
Ambient operating Temperature range: +10 to +45 °C
Storage temperature Ts min = -30°C, Ts max = 85°C
Dimmable – Dali, DMX
Protected against electrostatic discharge +/- 2,000 V

Lifetime and Warranty (See full Architectural FX total system warranty for more detail)

Lifespan L70: 36,000 hours
Product availability lifetime – 3 years from last order
End of Lifetime guarantee 5 years
The above data are typical values. Due to tolerances in the production process and electrical components, values for light output and electrical power can vary up to 10%.



Energy efficiency class **B**

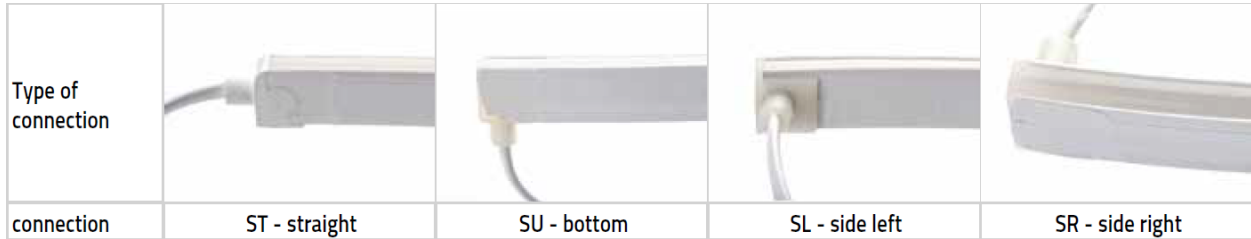
Product Reference builder

Generic Product	Product Type	Bend Orientation	Colour (Finished CCT)	w/m	Mounting Accessory	Cable Entry
Neon	Select	Top	1900-5700k	12w	MC - 50mm Clip	End (Standard)
			2000-3200k		MP – Mounting Profile	Side Left - SL
			2200-3500k			Side Right – SR
			2500-5000k			Rear - R

Example:

Neon Select Top 1900-5700k 12w MC E (Custom length to suit project to be advised)

Customized length with sealed connectors on request.

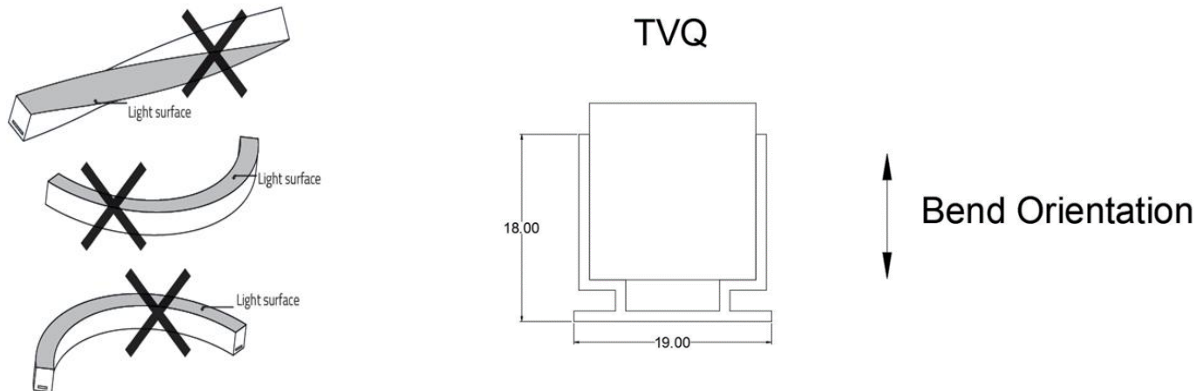


***IP20 quick connects available, along with quick seal end entry connections from stock**

Compatible Accessories (See Accessories data sheet for full details)



Note: Do not twist or bend against bend orientation on install



Architectural FX

Unit 13 & 14 Longshot Lane Bracknell Berkshire RG12 1RL

T +44 (0)1344 291536 E sales@architecturalfx.co.uk www.architecturalfx.co.uk



Neon TVQ Dim To Warm IP68



General Information

Flexible LED strip sealed in UV, chlorine, salt-water and solvent-resistant white PVC, for indoor and outdoor use
12w, 108 LED, 360 lumens per m
Single Colour White 1900k - 3200k (Finished CCT)
CRI >80
Cutttable every 83.3mm or 7 LEDs
LED spacing: 11.9mm
Width 16mm x Height 17mm
Easy installation due to solder-free connectors.
Bending Diameter: 300mm
Max Single length 10m, in-feeder connector and an end cap provided
Customized length with sealed connectors on request.
Constant light output and extended lifetime due to an integrated constant current source on the circuit board.

Electrical & output data

Input Voltage 24 Volt DC Constant Voltage (23 V min, 25 V max)
Temperature range: -20 to +45 °C
Ambient temperature: + 10 to +45 °C
Storage temperature Ts min = -30°C, Ts max = 85°C
Dimmable – Mains (Triac), 0-10v, Dali, DMX

Lifetime and Warranty (See full Architectural FX total system warranty for more detail)

Lifespan L70: 36,000 hours
Product availability lifetime – 3 years from last order
End of Lifetime guarantee 5 years
The above data are typical values. Due to tolerances in the production process and electrical components, values for light output and electrical power can vary up to 10%.



Energy efficiency class **B**

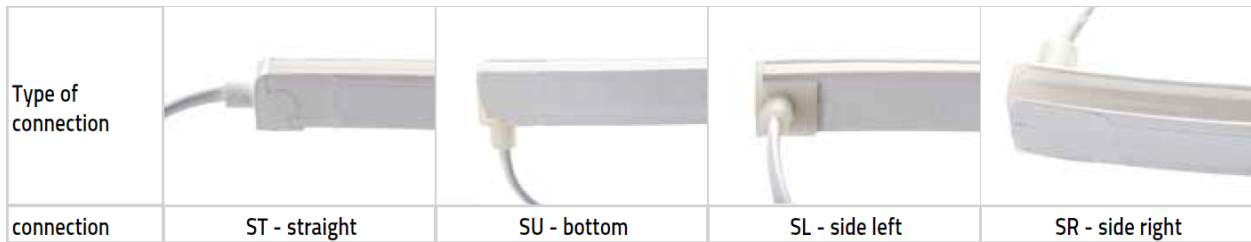
Product Reference builder

Generic Product	Product Type	Bend Orientation	Colour (Finished CCT)	w/m	Mounting Accessory	Cable Entry
Neon	Top DTW	Top	1900-3200k	12w	MC - 50mm Clip	End (Standard)
					MP – Mounting Profile	Side Left - SL
						Side Right – SR
						Rear - R

Example:

Neon Top DTW 1900-3200k 12w MC E (Custom length to suit project to be advised)

Customized length with sealed connectors on request.

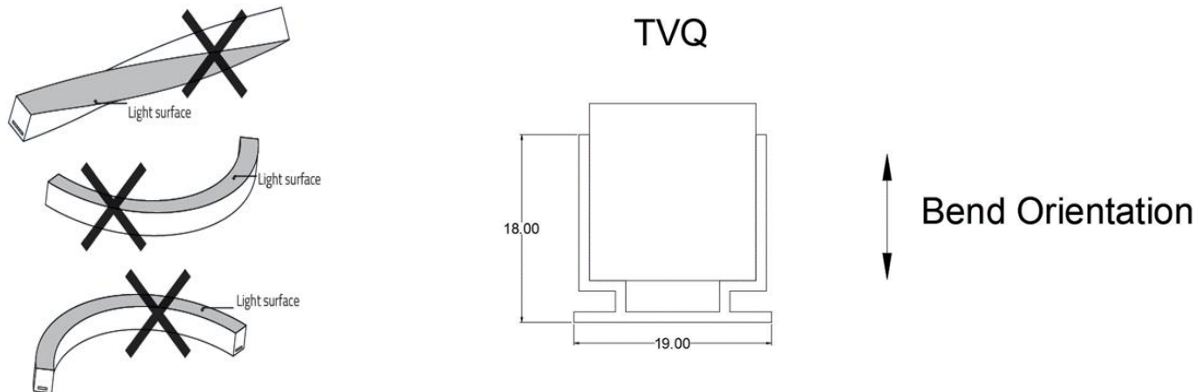


*IP20 quick connects available, along with quick seal end entry connections from stock

Compatible Accessories (See Accessories data sheet for full details)



Note: Do not twist or bend against bend orientation on install



Architectural FX

Unit 13 & 14 Longshot Lane Bracknell Berkshire RG12 1RL

T +44 (0)1344 291536 E sales@architecturalfx.co.uk www.architecturalfx.co.uk



Neon Side RGB IP68



General Information

Flexible LED strip sealed in UV, chlorine, salt-water and solvent-resistant white PVC, for indoor and outdoor use
12w, 84 LEDs, 70 lumens per m
RGB
CRI >80
Cuttable every 100mm or 6 LEDs
LED spacing: 16.7mm
Width 11.5mm x Height 21mm
Easy installation due to solder-free connectors.
Bending diameter: 120mm
Max Single length 10m, in-feeder connector and an end cap provided
Customized length with sealed connectors on request.
Constant light output and extended lifetime due to an integrated constant current source on the circuit board.

Electrical & output data

Input Voltage 24 Volt DC Constant Voltage (23 V min, 25 V max)
Temperature range: -20 to +45 °C
Ambient temperature: + 10 to +45 °C
Storage temperature Ts min = -30°C, Ts max = 85°C
Dimmable – Dali, DMX

Lifetime and Warranty (See full Architectural FX total system warranty for more detail)

Lifespan L70: 50,000 hours
Product availability lifetime – 3 years from last order
End of Lifetime guarantee 5 years
The above data are typical values. Due to tolerances in the production process and electrical components, values for light output and electrical power can vary up to 10%.



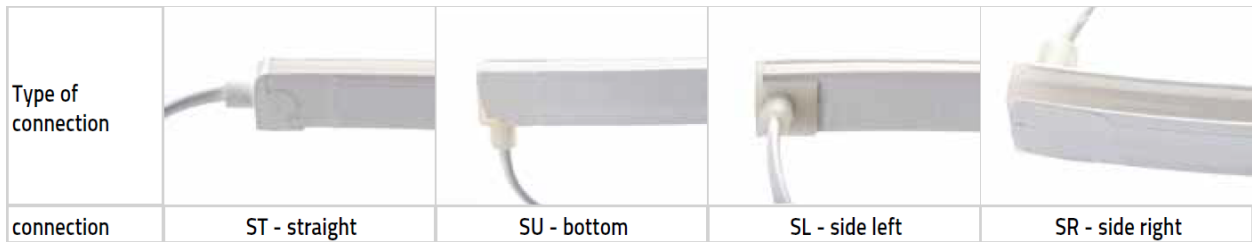
Product Reference builder

Generic Product	Product Type	Bend Orientation	Colour (Finished CCT)	w/m	Mounting Accessory	Cable Entry
Neon	RGB	Side	RGB	12w	MC - 50mm Clip	End (Standard)
					MP – Mounting Profile	Side Left - SL
						Side Right – SR
						Rear - R

Example:

Neon Side 2200k 11w MC E (Custom length to suit project to be advised)

Customized length with sealed connectors on request.

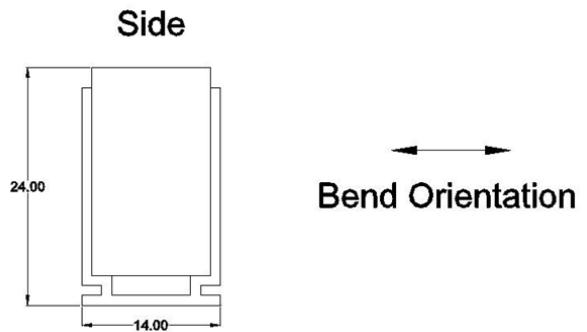
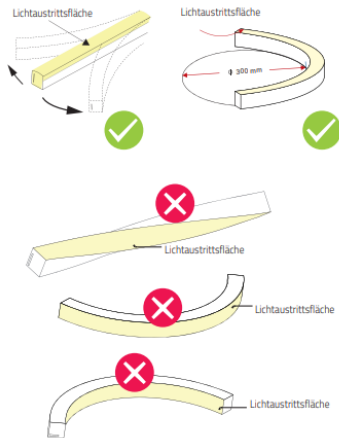


***IP20 quick connects available, along with quick seal end entry connections from stock**

Compatible Accessories (See Accessories data sheet for full details)



Note: Do not twist or bend against bend orientation on install



Architectural FX

Unit 13 & 14 Longshot Lane Bracknell Berkshire RG12 1RL

T +44 (0)1344 291536 E sales@architecturalfx.co.uk www.architecturalfx.co.uk



ARCHITECTURAL FX

Neon Top RGB IP68



General Information

Flexible LED strip sealed in UV, chlorine, salt-water and solvent-resistant white PVC, for indoor and outdoor use.

IP68 rated

12w, 84 LEDs, 520 lumens per m

RGB

CRI >80

Cuttable every 83.3mm or 7 LEDs

LED spacing: 11.9mm

Width 16mm x Height 17mm

Easy installation due to solder-free connectors.

Bending diameter: 300mm

Max Single length 7m, in-feeder connector and an end cap provided

Customized length with sealed connectors on request.

Constant light output and extended lifetime due to an integrated constant current source on the circuit board.

Electrical & output data

Input Voltage 24 Volt DC Constant Voltage (23 V min, 25 V max)

Ambient operating Temperature range: -45 to +70 °C

Storage temperature Ts min = -30°C, Ts max = 85°C

Dimmable – Dali, DMX

Protected against electrostatic discharge +/- 2,000 V

Lifetime and Warranty (See full Architectural FX total system warranty for more detail)

Lifespan L70: 36,000 hours

Product availability lifetime – 3 years from last order

End of Lifetime guarantee 5 years

The above data are typical values. Due to tolerances in the production process and electrical components, values for light output and electrical power can vary up to 10%.



Energy efficiency class **B**

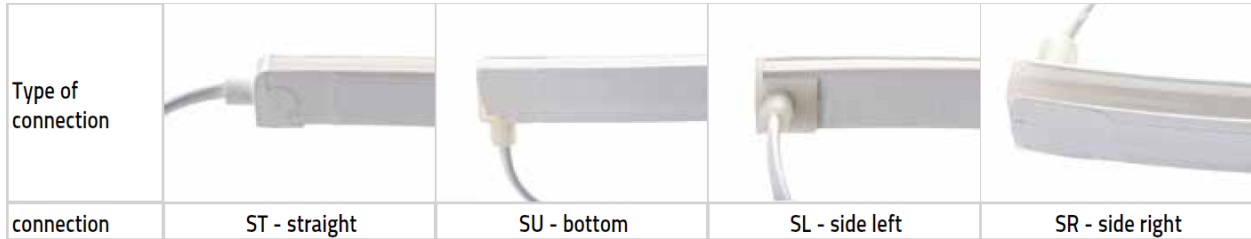
Product Reference builder

Generic Product	Product Type	Bend Orientation	Colour (Finished CCT)	w/m	Mounting Accessory	Cable Entry
Neon	Top	Top	RGB	15w	MC - 50mm Clip	End (Standard)
					MP – Mounting Profile	Side Left - SL
						Side Right – SR
						Rear - R

Example:

Platin TVQ RGB W 2700k 15w MC E (Custom length to suit project to be advised)

Customized length with sealed connectors on request.

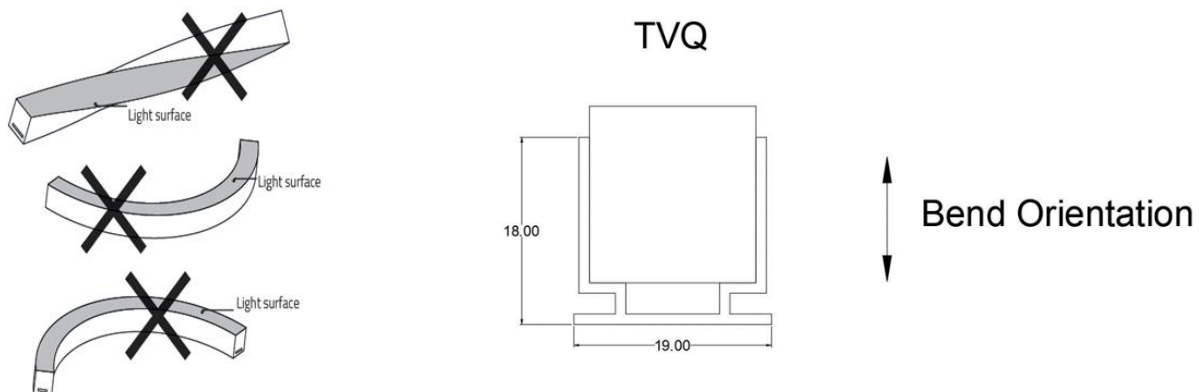


***IP20 quick connects available, along with quick seal end entry connections from stock**

Compatible Accessories (See Accessories data sheet for full details)



Note: Do not twist or bend against bend orientation on install



Architectural FX

Unit 13 & 14 Longshot Lane Bracknell Berkshire RG12 1RL

T +44 (0)1344 291536 E sales@architecturalfx.co.uk www.architecturalfx.co.uk



Neon Side RGB W IP68



General Information

Flexible LED strip sealed in UV, chlorine, salt-water and solvent-resistant white PVC, for indoor and outdoor use
15w, 84 LEDs, 450 lumens per m
RGB Single Colour White (2700k, 3000k, 4000k) (Finished CCT)
CRI >80
Cutttable every 100mm or 6 LEDs
LED spacing: 16.7mm
Width 11.5mm x Height 21mm
Easy installation due to solder-free connectors.
Bending diameter: 120mm
Max Single length 5m, in-feeder connector and an end cap provided
Customized length with sealed connectors on request.
Constant light output and extended lifetime due to an integrated constant current source on the circuit board.

Electrical & output data

Input Voltage 24 Volt DC Constant Voltage (23 V min, 25 V max)
Ambient operating Temperature range: +10 to +45 °C
Storage temperature Ts min = -30°C, Ts max = 85°C
Dimmable – Dali, DMX
Protected against electrostatic discharge +/- 2,000 V

Lifetime and Warranty (See full Architectural FX total system warranty for more detail)

Lifespan L70: 36,000 hours
Product availability lifetime – 3 years from last order
End of Lifetime guarantee 5 years
The above data are typical values. Due to tolerances in the production process and electrical components, values for light output and electrical power can vary up to 10%.



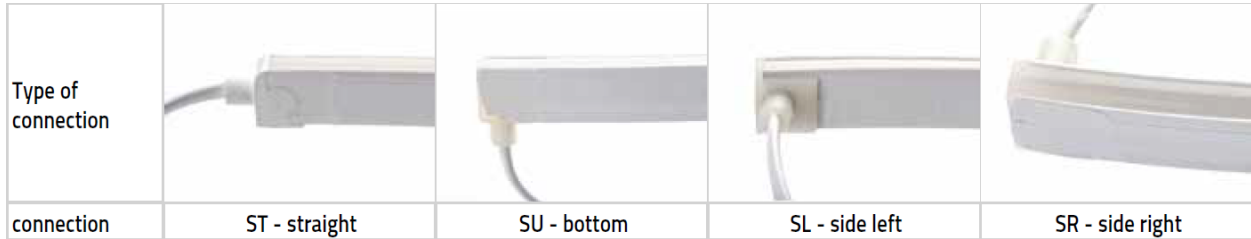
Product Reference builder

Generic Product	Product Type	Bend Orientation	Colour (Finished CCT)	w/m	Mounting Accessory	Cable Entry
Neon	Side	Side	RGB W (2700k)	15w	MC - 50mm Clip	End (Standard)
			RGB W (3000k)		MP – Mounting Profile	Side Left - SL
			RGB W (4000k)			Side Right – SR
						Rear - R

Example:

Neon Side RGB W 2700k 15w MC E (Custom length to suit project to be advised)

Customized length with sealed connectors on request.

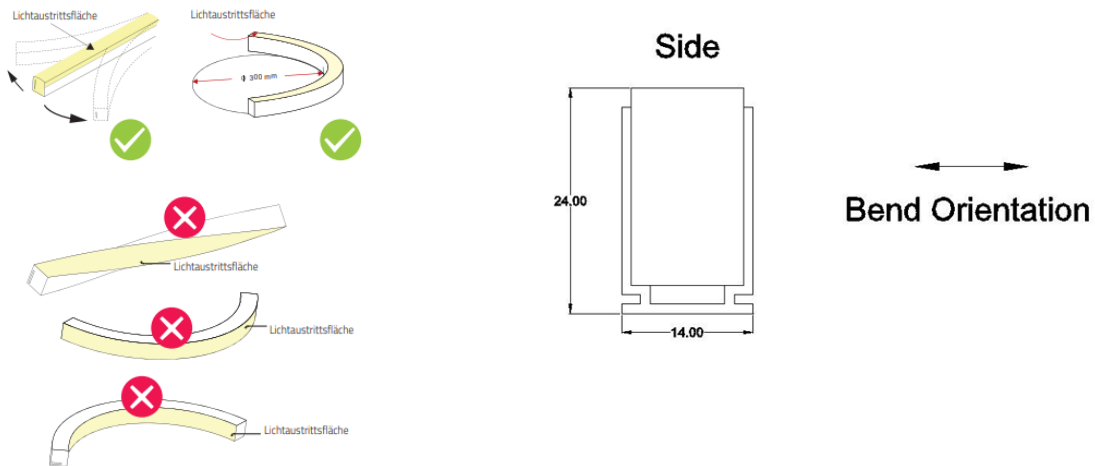


*IP20 quick connects available, along with quick seal end entry connections from stock

Compatible Accessories (See Accessories data sheet for full details)



Note: Do not twist or bend against bend orientation on install



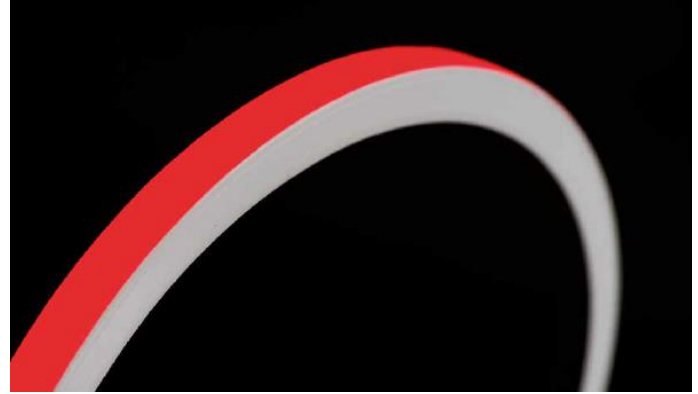
Architectural FX

Unit 13 & 14 Longshot Lane Bracknell Berkshire RG12 1RL

T +44 (0)1344 291536 E sales@architecturalfx.co.uk www.architecturalfx.co.uk



Neon Top RGB W IP68



General Information

Flexible LED strip sealed in UV, chlorine, salt-water and solvent-resistant white PVC, for indoor and outdoor use
15w, 84 LEDs, 500 lumens per m
RGB Single Colour White (2700, 3000, 4000k) (Finished CCT)
CRI >80
Cutttable every 83.3mm or 7 LEDs
LED spacing: 11.9mm
Width 16mm x Height 17mm
Easy installation due to solder-free connectors.
Bending diameter: 300mm
Max Single length 5m, in-feeder connector and an end cap provided
Customized length with sealed connectors on request.
Constant light output and extended lifetime due to an integrated constant current source on the circuit board.

Electrical & output data

Input Voltage 24 Volt DC Constant Voltage (23 V min, 25 V max)
Ambient operating Temperature range: -45 to +70 °C
Storage temperature Ts min = -30°C, Ts max = 85°C
Dimmable – Dali, DMX
Protected against electrostatic discharge +/- 2,000 V

Lifetime and Warranty (See full Architectural FX total system warranty for more detail)

Lifespan L70: 36,000 hours
Product availability lifetime – 3 years from last order
End of Lifetime guarantee 5 years
The above data are typical values. Due to tolerances in the production process and electrical components, values for light output and electrical power can vary up to 10%.



Energy efficiency class **B**

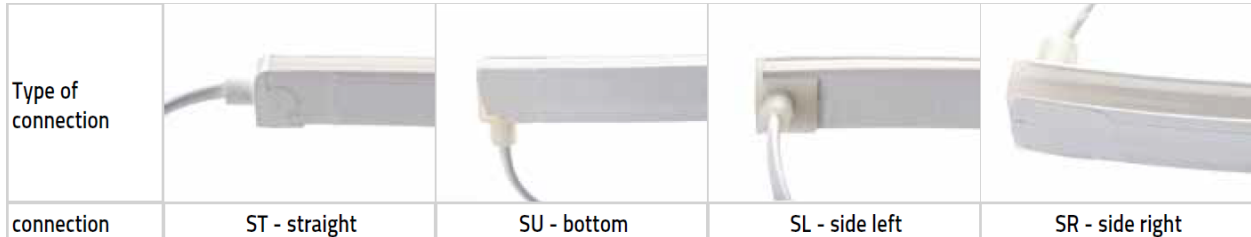
Product Reference builder

Generic Product	Product Type	Bend Orientation	Colour (Finished CCT)	w/m	Mounting Accessory	Cable Entry
Neon	Top	Top	RGB W (2700k)	15w	MC - 50mm Clip	End (Standard)
			RGB W (3000k)		MP – Mounting Profile	Side Left - SL
			RGB W (4000k)			Side Right – SR
						Rear - R

Example:

Platin TVQ RGB W 2700k 15w MC E (Custom length to suit project to be advised)

Customized length with sealed connectors on request.

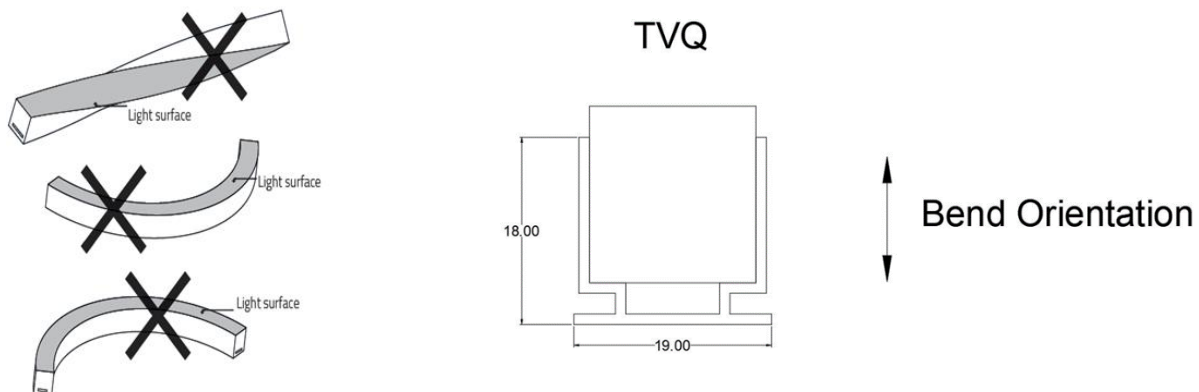


***IP20 quick connects available, along with quick seal end entry connections from stock**

Compatible Accessories (See Accessories data sheet for full details)



Note: Do not twist or bend against bend orientation on install

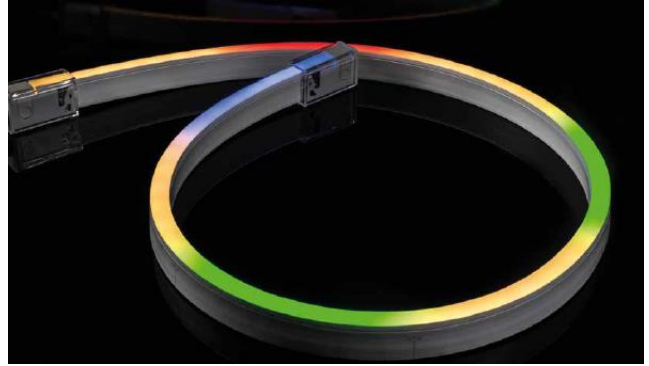


Architectural FX

Unit 13 & 14 Longshot Lane Bracknell Berkshire RG12 1RL

T +44 (0)1344 291536 E sales@architecturalfx.co.uk www.architecturalfx.co.uk

Neon Side RGB W Intelligence Eight IP68



(Note: Indicative Image is Side Bend not Top Bend)

General Information

Flexible LED strip sealed in UV, chlorine, salt-water and solvent-resistant white PVC, for indoor and outdoor use
 Pixelated @ 8 increments per m
 15w, 84 LEDs, 450 lumens per m
 RGB Single Colour White (2600k) (Finished CCT)
 CRI >80
 Cuttable every 125mm or 7 LEDs
 LED spacing: 17.8mm
 Width 11.5mm x Height 21mm
 Easy installation due to solder-free connectors.
 Bending diameter: 120mm
 Max Single length 5m, in-feeder connector and an end cap provided
 Customized length with sealed connectors on request.
 Constant light output and extended lifetime due to an integrated constant current source on the circuit board. on the circuit board.

Electrical & output data

Input Voltage 24 Volt DC Constant Voltage (23 V min, 25 V max)
 Temperature range: -20 to +45 °C
 Ambient temperature: + 10 to +45 °C
 Storage temperature Ts min = -30°C, Ts max = 85°C
 Dimmable – DMX (with SPI Decoder)
 Protected against electrostatic discharge +/- 2,000 V

Lifetime and Warranty (See full Architectural FX total system warranty for more detail)

Lifespan L70: 36,000 hours
 Product availability lifetime – 3 years from last order
 End of Lifetime guarantee 5 years
 The above data are typical values. Due to tolerances in the production process and electrical components, values for light output and electrical power can vary up to 10%.

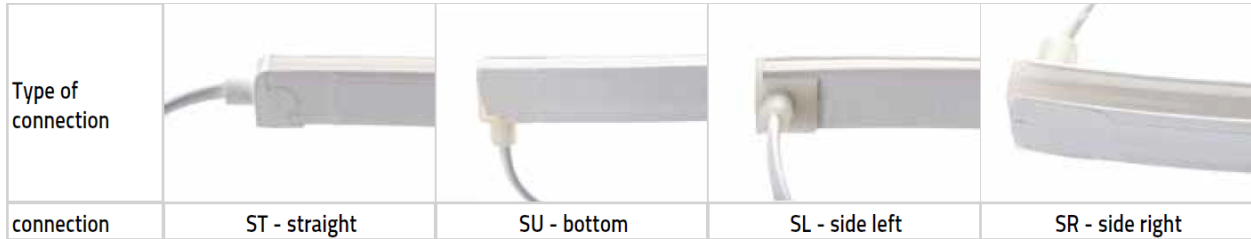
Product Reference builder

Generic Product	Product Type	Bend Orientation	Colour (Finished CCT)	w/m	Mounting Accessory	Cable Entry
Neon	Intelligence	Side	RGB W (2600k)	15w	MC - 50mm Clip	End (Standard)
					MP – Mounting Profile	Side Left - SL
						Side Right – SR
						Rear - R

Example:

Neon Top RGB W Intelligence 8 15w MC E (Custom length to suit project to be advised)

Customized length with sealed connectors on request.

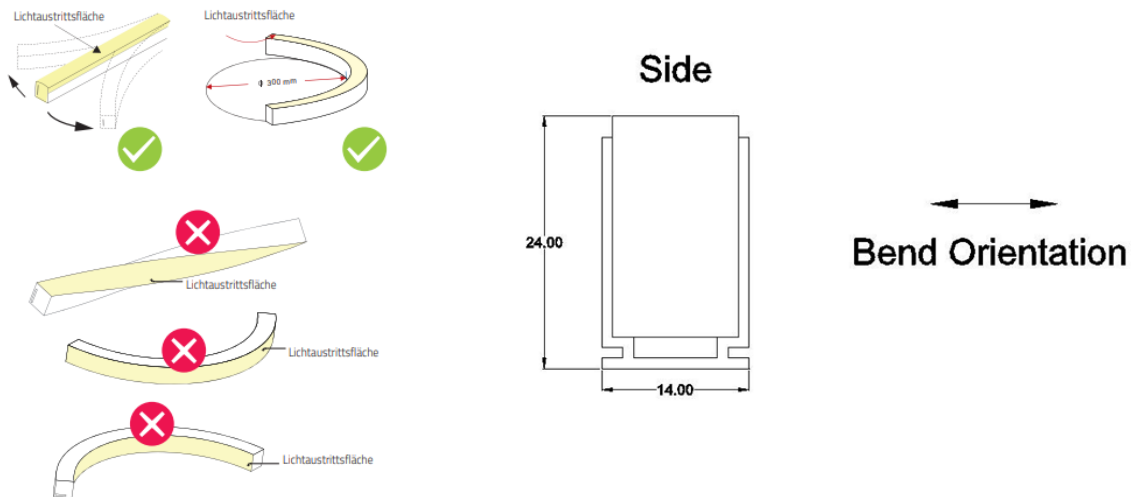


***IP20 quick connects available, along with quick seal end entry connections from stock**

Compatible Accessories (See Accessories data sheet for full details)



Note: Do not twist or bend against bend orientation on install



Architectural FX

Unit 13 & 14 Longshot Lane Bracknell Berkshire RG12 1RL

T +44 (0)1344 291536 E sales@architecturalfx.co.uk www.architecturalfx.co.uk

Neon Top RGB W Intelligence Eight IP68



(Note: Indicative Image is Side Bend not Top Bend)

General Information

Flexible LED strip sealed in UV, chlorine, salt-water and solvent-resistant white PVC, for indoor and outdoor use
 Pixelated @ 8 increments per m
 15w, 84 LEDs, 450 lumens per m
 RGB Single Colour White (2600k) (Finished CCT)
 CRI >80
 Cuttable every 125mm or 7 LEDs
 LED spacing: 17.8mm
 Width 11.5mm x Height 21mm
 Easy installation due to solder-free connectors.
 Bending diameter: 120mm
 Max Single length 5m, in-feeder connector and an end cap provided
 Customized length with sealed connectors on request.
 Constant light output and extended lifetime due to an integrated constant current source on the circuit board. on the circuit board.

Electrical & output data

Input Voltage 24 Volt DC Constant Voltage (23 V min, 25 V max)
 Temperature range: -20 to +45 °C
 Ambient temperature: + 10 to +45 °C
 Storage temperature Ts min = -30°C, Ts max = 85°C
 Dimmable – DMX (with SPI Decoder)
 Protected against electrostatic discharge +/- 2,000 V

Lifetime and Warranty (See full Architectural FX total system warranty for more detail)

Lifespan L70: 36,000 hours
 Product availability lifetime – 3 years from last order
 End of Lifetime guarantee 5 years
 The above data are typical values. Due to tolerances in the production process and electrical components, values for light output and electrical power can vary up to 10%.

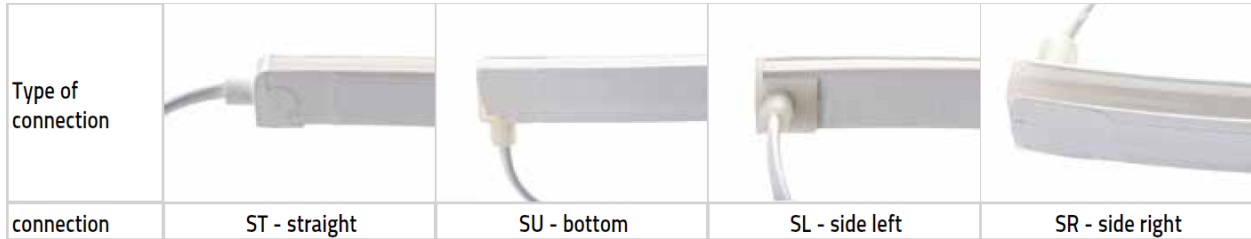
Product Reference builder

Generic Product	Product Type	Bend Orientation	Colour (Finished CCT)	w/m	Mounting Accessory	Cable Entry
Neon	Intelligence	Top	RGB W (2600k)	15w	MC - 50mm Clip	End (Standard)
					MP – Mounting Profile	Side Left - SL
						Side Right – SR
						Rear - R

Example:

Neon Top RGB W Intelligence 8 15w MC E (Custom length to suit project to be advised)

Customized length with sealed connectors on request.

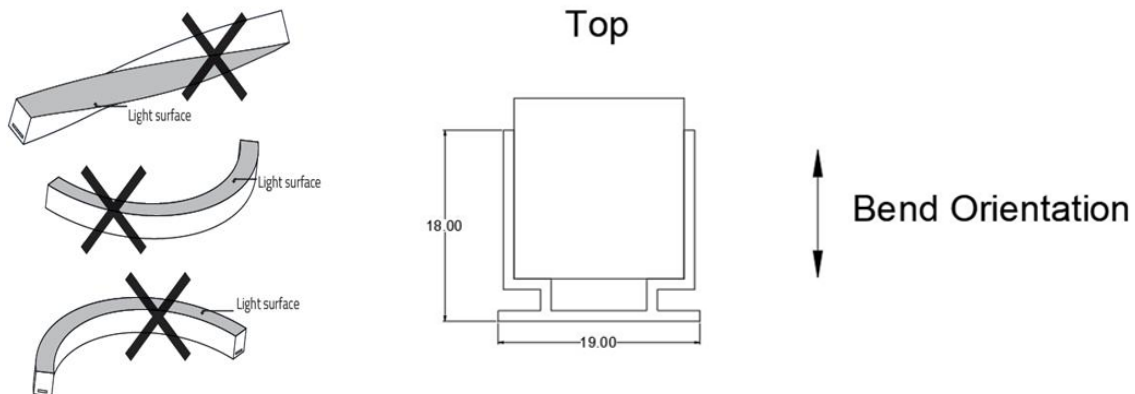


***IP20 quick connects available, along with quick seal end entry connections from stock**

Compatible Accessories (See Accessories data sheet for full details)



Note: Do not twist or bend against bend orientation on install



Neon Side RGB W Intelligence Twelve IP68



(Note: Indicative Image is Side Bend not Top Bend)

General Information

Flexible LED strip sealed in UV, chlorine, salt-water and solvent-resistant white PVC, for indoor and outdoor use
 Pixelated @ 12 increments per m
 15w, 84 LEDs, 400 lumens per m
 RGB Single Colour White (2600k) (Finished CCT)
 CRI >80
 Cuttable every 83.3mm or 7 LEDs
 LED spacing: 11.9mm
 Width 11mm x Height 21mm
 Easy installation due to solder-free connectors.
 Bending diameter: 300mm
 Max Single length 5m, in-feeder connector and an end cap provided
 Customized length with sealed connectors on request.

Electrical & output data

Input Voltage 24 Volt DC Constant Voltage (23 V min, 25 V max)
 Temperature range: -20 to +45 °C
 Ambient temperature: + 10 to +45 °C
 Storage temperature Ts min = -30°C, Ts max = 85°C
 Dimmable – DMX (with SPI Decoder)
 Protected against electrostatic discharge +/- 2,000 V

Lifetime and Warranty (See full Architectural FX total system warranty for more detail)

Lifespan L70: 36,000 hours
 Product availability lifetime – 3 years from last order
 End of Lifetime guarantee 5 years
 The above data are typical values. Due to tolerances in the production process and electrical components, values for light output and electrical power can vary up to 10%.

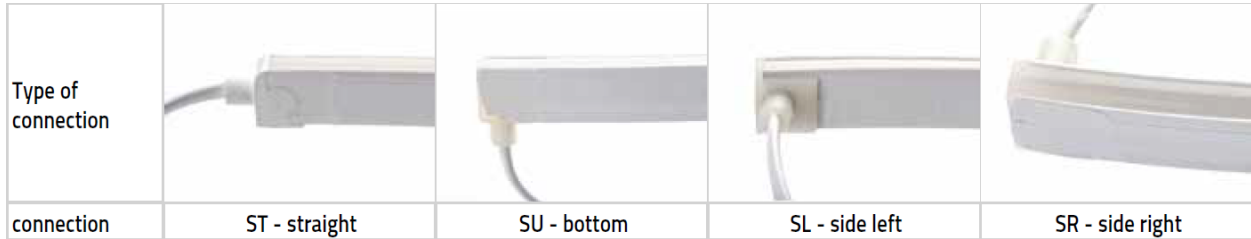
Product Reference builder

Generic Product	Product Type	Bend Orientation	Colour (Finished CCT)	w/m	Mounting Accessory	Cable Entry
Neon	Intelligence	Side	RGB W (2600k)	15w	MC - 50mm Clip	End (Standard)
					MP – Mounting Profile	Side Left - SL
						Side Right – SR
						Rear - R

Example:

Neon Side RGB W Intelligence 12 15w MC E (Custom length to suit project to be advised)

Customized length with sealed connectors on request.

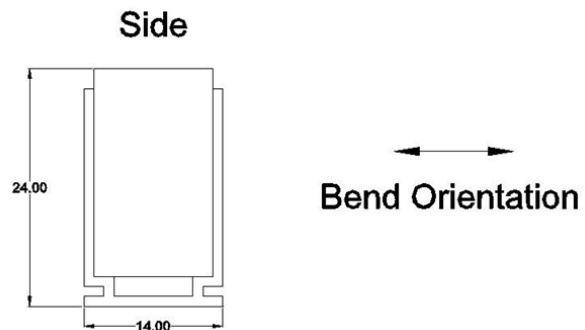
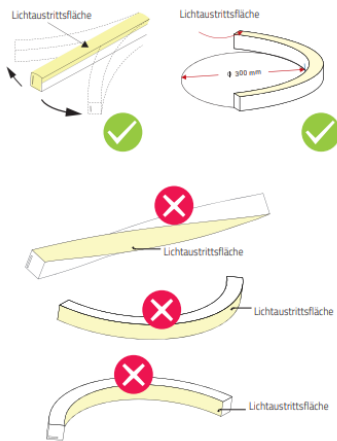


*IP20 quick connects available, along with quick seal end entry connections from stock

Compatible Accessories (See Accessories data sheet for full details)



Note: Do not twist or bend against bend orientation on install

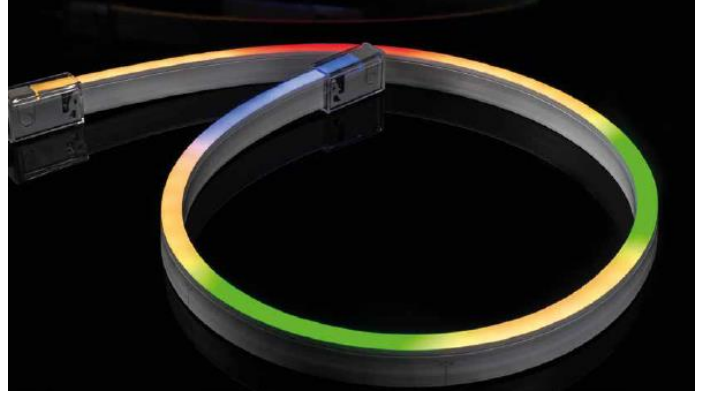


Architectural FX

Unit 13 & 14 Longshot Lane Bracknell Berkshire RG12 1RL

T +44 (0)1344 291536 E sales@architecturalfx.co.uk www.architecturalfx.co.uk

Neon Top RGB W Intelligence Twelve IP68



(Note: Indicative Image is Side Bend not Top Bend)

General Information

Flexible LED strip sealed in UV, chlorine, salt-water and solvent-resistant white PVC, for indoor and outdoor use
Pixelated @ 12 increments per m
15w, 84 LEDs, 400 lumens per m
RGB Single Colour White (2600k) (Finished CCT)
CRI >80
Cutable every 83.3mm or 7 LEDs
LED spacing: 11.9mm
Width 16mm x Height 17mm
Easy installation due to solder-free connectors.
Bending diameter: 300mm
Max Single length 5m, in-feeder connector and an end cap provided
Customized length with sealed connectors on request.

Electrical & output data

Input Voltage 24 Volt DC Constant Voltage (23 V min, 25 V max)
Temperature range: -20 to +45 °C
Ambient temperature: + 10 to +45 °C
Storage temperature Ts min = -30°C, Ts max = 85°C
Dimmable – DMX (with SPI Decoder)
Protected against electrostatic discharge +/- 2,000 V

Lifetime and Warranty (See full Architectural FX total system warranty for more detail)

Lifespan L70: 36,000 hours
Product availability lifetime – 3 years from last order
End of Lifetime guarantee 5 years
The above data are typical values. Due to tolerances in the production process and electrical components, values for light output and electrical power can vary up to 10%.

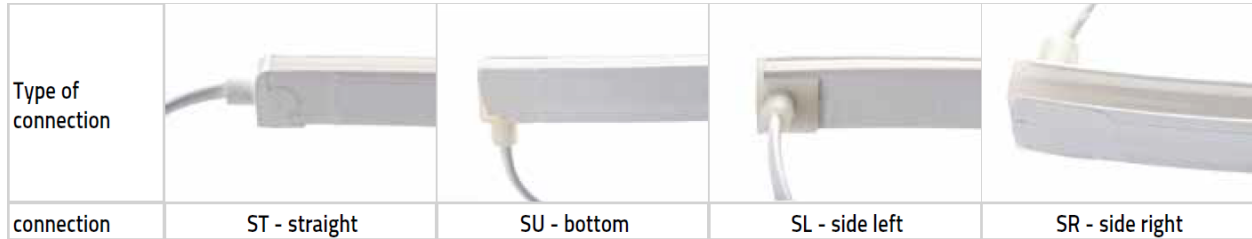
Product Reference builder

Generic Product	Product Type	Bend Orientation	Colour (Finished CCT)	w/m	Mounting Accessory	Cable Entry
Neon	Intelligence	Top	RGB W (2600k)	15w	MC - 50mm Clip	End (Standard)
					MP – Mounting Profile	Side Left - SL
						Side Right – SR
						Rear - R

Example:

Neon Top RGB W Intelligence 12 15w MC E (Custom length to suit project to be advised)

Customized length with sealed connectors on request.

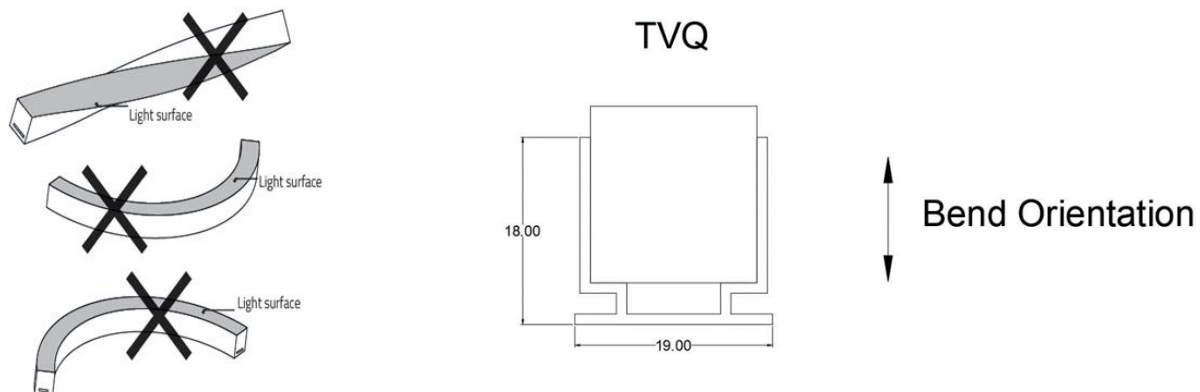


*IP20 quick connects available, along with quick seal end entry connections from stock

Compatible Accessories (See Accessories data sheet for full details)



Note: Do not twist or bend against bend orientation on install



Architectural FX

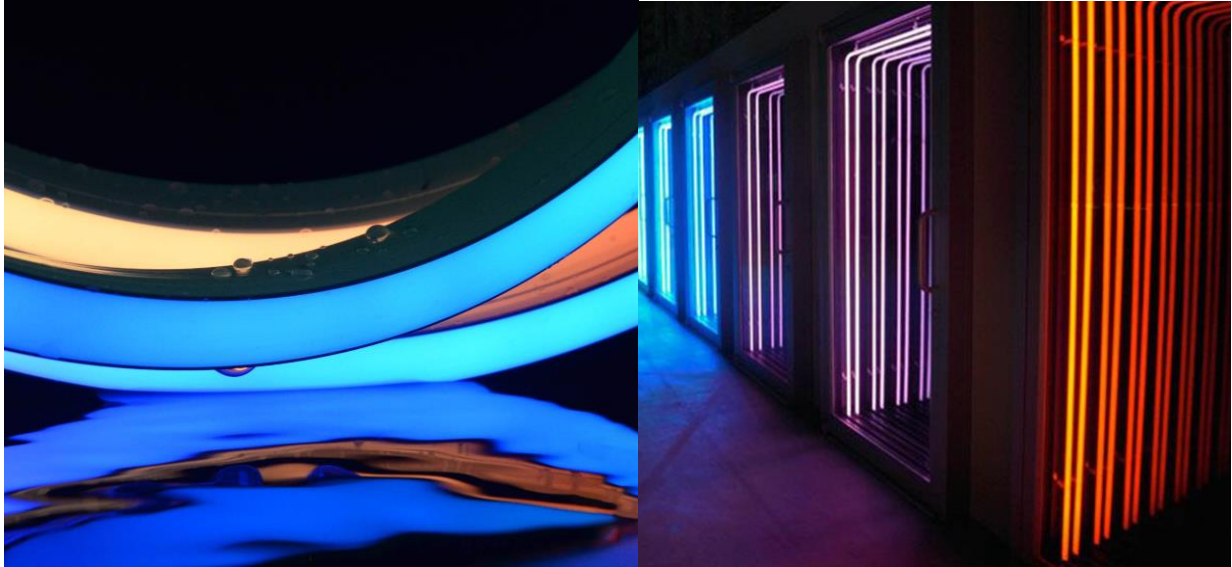
Unit 13 & 14 Longshot Lane Bracknell Berkshire RG12 1RL

T +44 (0)1344 291536 E sales@architecturalfx.co.uk www.architecturalfx.co.uk



ARCHITECTURAL FX

Neon 1312 Top RGBW



General Information

Flexible IP67x with uniform lighting surface

High light transmittance, environmental silicone material, integrated extrusion molding technology, IK08, IP67.

Typical Power Single colour 14.4/m

24v DC Constant Voltage

Beam angle: 120°

Bend radius > 60mm

CRI >80

Lifespan L70 ≥ 36,000 hours

LM80 proved

Dimmable – DALI, DMX, 0-10v

AFX Code	w/m	CCT (k)	lm/m	CRI	Step length (mm)	Max single length (m)	Lifespan (hrs)
1312	3.6w	2300k	120	>80	62.5	5m	L70 >36,000
1312	3.6w	2700k	129	>80			L70 >36,000
1312	3.6w	3000k	138	>80			L70 >36,000
1312	3.6w	4000k	152	>80			L70 >36,000
1312	3.6w	Red	64	-			L70 >36,000
1312	3.6w	Green	119	-			L70 >36,000
1312	3.6w	Blue	19	-			L70 >36,000

(Example full Luminaire Reference: Neon 1312 TV RGB W823 IP67)

Recommended Accessories

Flat mounting aluminum groove L : 1000mm, With screws



Flat mounting clip L : 25mm, With screws



Aluminum groove of reserved outlet position L : 1000mm, With screws



Clip of reserved outlet position L : 25mm, With screws



PC groove L : 1000mm, With screws



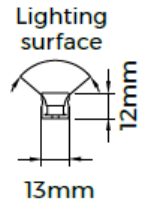
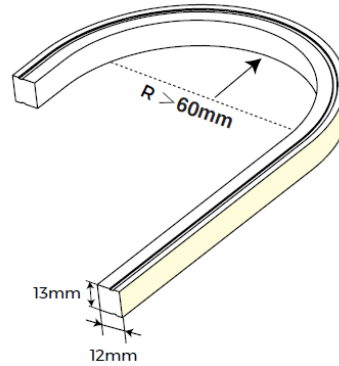
PC clip L : 25mm, With screws



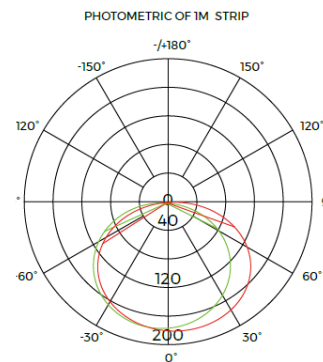
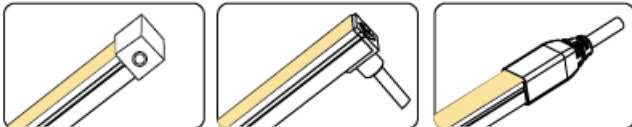
Aluminum groove with reserved outlet position L : 1000mm, with screws



Moldable groove L : 500mm, With screws



IP Process Technology

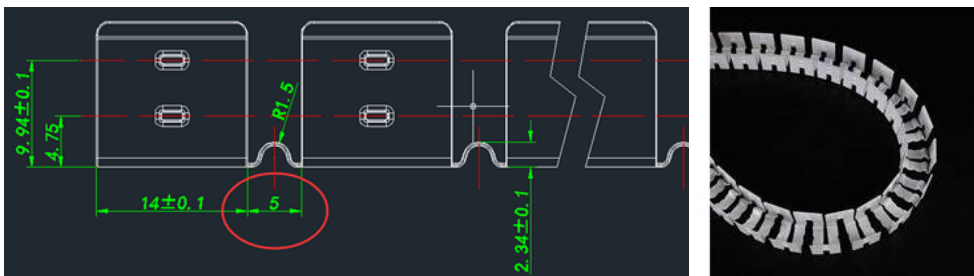
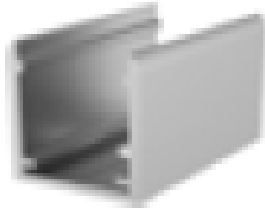
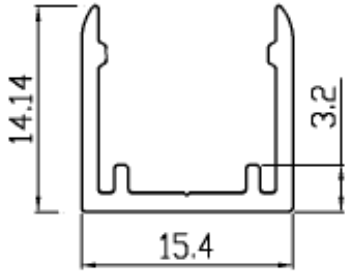


Height	Eavg,Emax	Angle:111.06deg	Diameter
1m	49.48,178.9lx		317.56cm
2m	12.37,44.71lx		635.12cm
3m	5.498,19.87lx		925.68cm
5m	1.979,7.154lx		1587.81cm
7m	1.010,3.650lx		2222.93cm

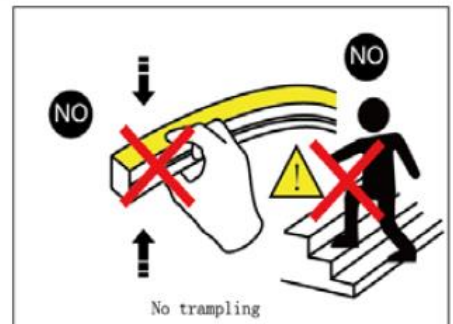
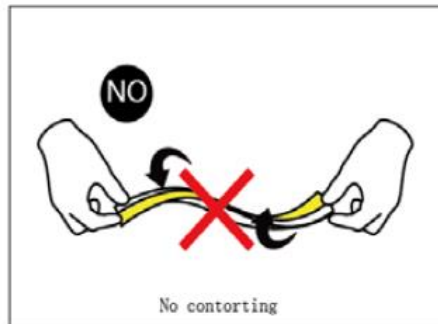
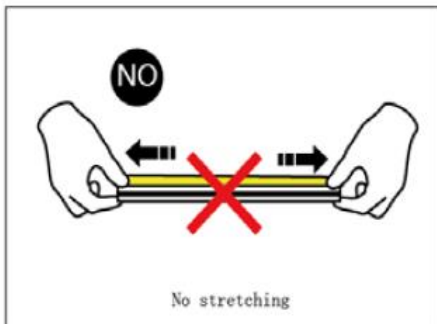
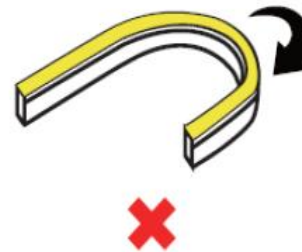
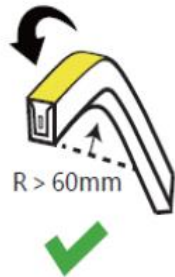


ARCHITECTURAL FX

Accessories:



It is forbidden to wrap objects less than 60mm



Architectural FX
Unit 13 & 14,
Longshot Lane,
Bracknell,
Berkshire,
RG12 1RL,
United Kingdom

+44 (0) 1344 291536
info@architecturalfx.co.uk
www.architecturalfx.co.uk



Neon 1515 Top Bend IP67



General Information

Flexible LED strip sealed in UV, chlorine, salt-water and solvent-resistant white PVC, for indoor and outdoor use
IP67

7.2w, 580 lumens per m

Single Colour White 2300, 2700, 3000, 4000 (Finished CCT)

CRI >80

Cuttable every 41.66mm

Width 15mm x Height 15mm

Bending radius: 300mm

Max Single length 5m, in-feeder connector and an end cap provided

Customized length with sealed connectors on request.

Constant light output and extended lifetime due to an integrated constant current source on the circuit board.

Electrical & output data

Input Voltage 24 Volt DC Constant Voltage (23 V min, 25 V max)

Temperature range: -20 to +45 °C

Ambient temperature: + 10 to +45 °C

Storage temperature Ts min = -30°C, Ts max = 85°C

Dimmable – Mains (Triac), 0-10v, Dali, DMX

Lifetime and Warranty (See full Architectural FX total system warranty for more detail)

Lifespan L70: 36,000 hours

Product availability lifetime – 3 years from last order

End of Lifetime guarantee 5 years

The above data are typical values. Due to tolerances in the production process and electrical components, values for light output and electrical power can vary up to 10%.



Energy efficiency class **B**

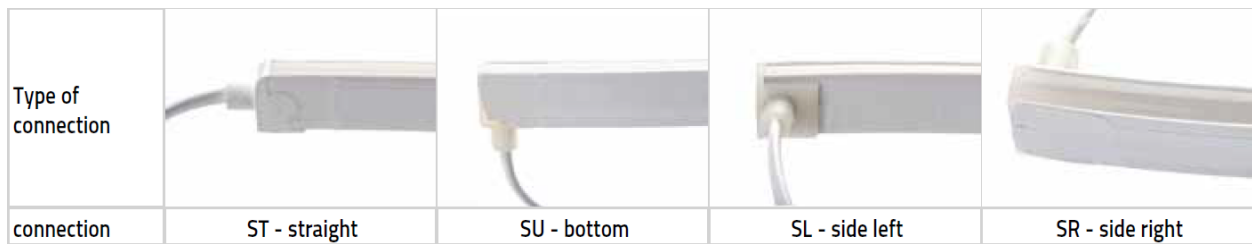
Product Reference builder

Generic Product	Product Type	Bend Orientation	Colour (Finished CCT)	w/m	Mounting Accessory	Cable Entry
Neon	1515	Top	2300k	7.2w	MC - 50mm Clip	End (Standard)
			2700k	7.2w	MP – Mounting Profile	Side Left - SL
			3000k			Side Right – SR
			4000k			Rear - R
			Red 620-630nm			
			Green 525-530nm			
			Blue 465-470nm			

Example:

Neon 1515 Top 3000k 7.2w MC E (Custom length to suit project to be advised)

Customized length with sealed connectors on request.

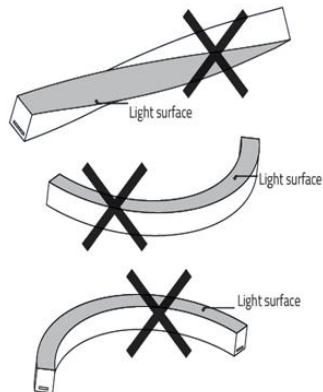


***IP20 quick connects available, along with quick seal end entry connections from stock**

Compatible Accessories (See Accessories data sheet for full details)



Note: Do not twist or bend against bend orientation on install



Architectural FX

Unit 10 Longshot Lane Industrial Estate Bracknell Berkshire RG12 1RL
 T +44 (0) 1344 291536 E info@afx.lighting W www.afx.lighting

Neon Top 1515 White IP67



General Information

Flexible LED strip sealed in UV, chlorine, salt-water and solvent-resistant white PVC, for indoor and outdoor use
9.6w, 590 lumens per m
Single Colour White 2300, 2700, 3000, 4000 (Finished CCT)
CRI >80
Cutttable every 50mm or 6 LEDs
LED spacing: 7mm
Width 15mm x Height 15mm
Easy installation due to solder-free connectors.
Bending radius: 60mm
Max Single length 10m, in-feeder connector and an end cap provided
Customized length with sealed connectors on request.
Constant light output and extended lifetime due to an integrated constant current source on the circuit board.

Electrical & output data

Input Voltage 24 Volt DC Constant Voltage (23 V min, 25 V max)
Temperature range: -20 to +45 °C
Ambient temperature: + 10 to +45 °C
Storage temperature Ts min = -30°C, Ts max = 85°C
Dimmable – Mains (Triac), 0-10v, Dali, DMX

Lifetime and Warranty (See full Architectural FX total system warranty for more detail)

Lifespan L70: 36,000 hours
Product availability lifetime – 3 years from last order
End of Lifetime guarantee 5 years
The above data are typical values. Due to tolerances in the production process and electrical components, values for light output and electrical power can vary up to 10%.



Energy efficiency class **B**

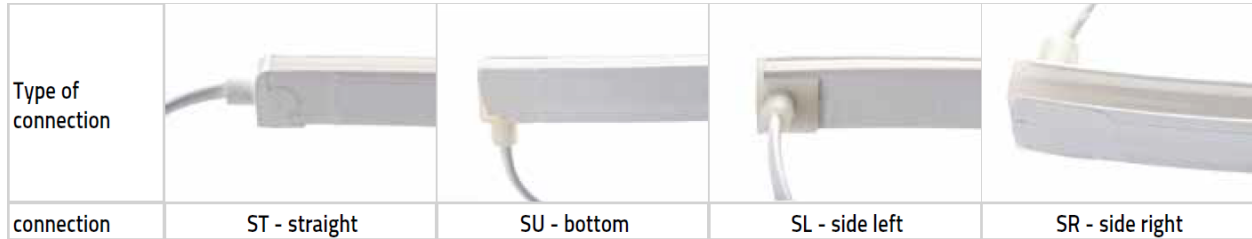
Product Reference builder

Generic Product	Product Type	Bend Orientation	Colour (Finished CCT)	w/m	Mounting Accessory	Cable Entry
Neon	Top 1515	Top	2300k	15w	MC - 50mm Clip	End (Standard)
			2700k		MP – Mounting Profile	Side Left - SL
			3000k			Side Right – SR
			4000k			Rear - R

Example:

Neon Top 2200k 11w MC E (Custom length to suit project to be advised)

Customized length with sealed connectors on request.



***IP20 quick connects available, along with quick seal end entry connections from stock**

Compatible Accessories (See Accessories data sheet for full details)



Note: Do not twist or bend against bend orientation on install

