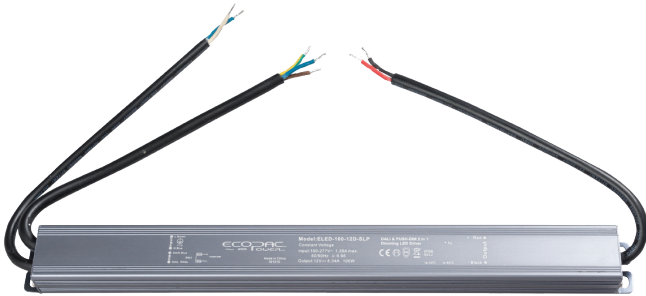


ELED-100-D-SLP Series

100W Slimline DALI & Push Dimmable LED Driver



Features:

- Slimline Constant Voltage Driver, Flicker free
- AC input: 100-277VAC
- Built in active PFC Function, >0.98
- Efficiency up to 88%
- Dimming range: 0-100%
- Protections: short circuit/ over loading/ over temperature
- Dimming function: Built in DALI interface dimming function conform to DALI Protocol IEC62386

CE SELV IP66

Models

ELED-100-12D-SLP

ELED-100-24D-SLP

Output Specifications

Output Voltage	12V	24V
Voltage Tolerance	<500mV	
Output Current	8.34A	4.17A
Rated Power	100W	

Input Specifications

Input Voltage	100-277VAC
Frequency Range	47-63Hz
Inrush Current	35.2A (twidth=164us) @230VAC
Full Load Efficiency (Typ.)	88%
AC Current (Max.)	1.2A@100VAC
Power Factor	PF >0.98/120VAC

Protection

Short Circuit	Shut down o/p voltage, re-power onto recover after fault condition is removed
Over Loading	<120%, Hiccup mode ,recovers automatically after fault condition is removed
Over Temperature	100°C ±10°C, re-power onto recover
Protection Class	I

Environment

Working Temperature	-40~+60°C (Refer to derating curve)
Working Humidity	20-95% RH, non condensing
Storage Temperature, Humidity	-40~+80°C, 10-95% RH
Temperature Coefficient	±0.03%/°C (0-50°C)

ELED-100-D-SLP Series

100W Slimline DALI & Push Dimmable LED Driver

Environment

Vibration 10~500Hz, 5G 10min./1 cycle, period for 60min. each along X,Y,Z axes

Safety & EMC

Safety standards EN61347-1, EN61347-2-13 (EU)

Withstand Voltage I/P-O/P:3.75KVAC (EU) and I/P-O/P:1.88KVAC (US)

Isolation Resistance I/P-O/P:100M Ohms/500VDC/25°C/70%RH

EMC Emission EN55015, EN61000-3-2 (≥60%load) (EU) and FCC Part 15 (US)

EMC Immunity Compliance to EN61000-4-2,3,4,5,6,11, EN61547, light industry

Other Specifications

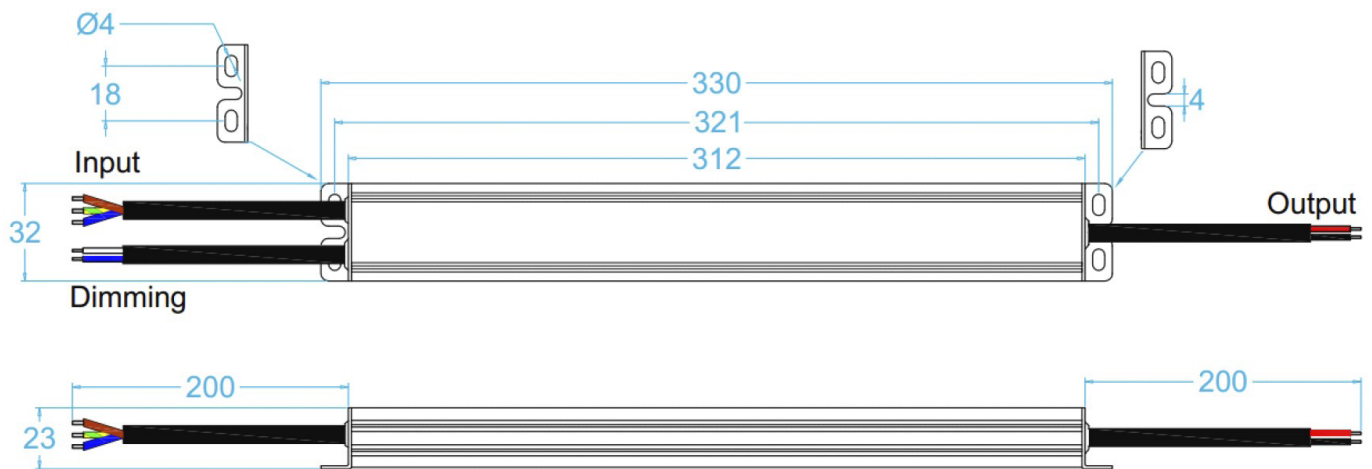
IP Rating IP66

Weight 0.53 Kg

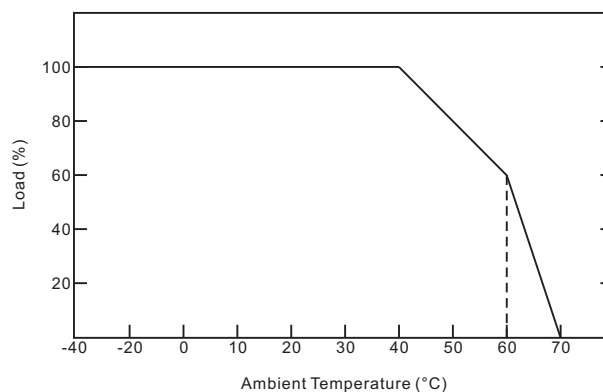
Size 330 x 32 x 23 mm

Packing 360 x 270 x 175 mm (30PCS/CTN), G.W.: 16.9KG/CTN

Mechanical Specifications



Derating Curve

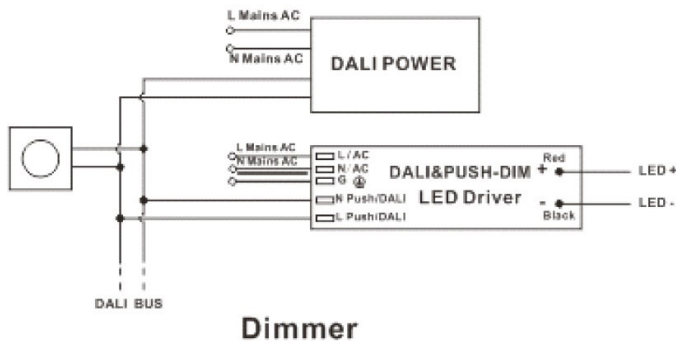


ELED-100-D-SLP Series

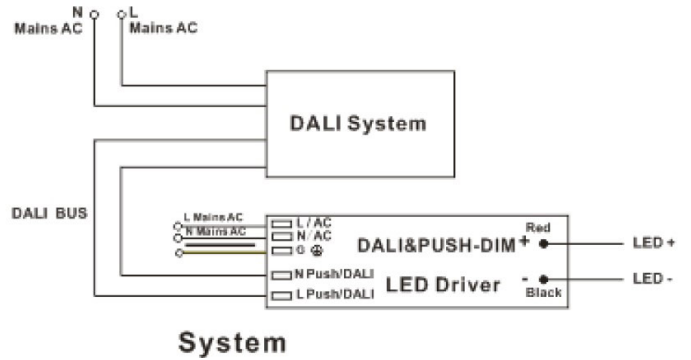
100W Slimline DALI & Push Dimmable LED Driver

Connecting Diagram

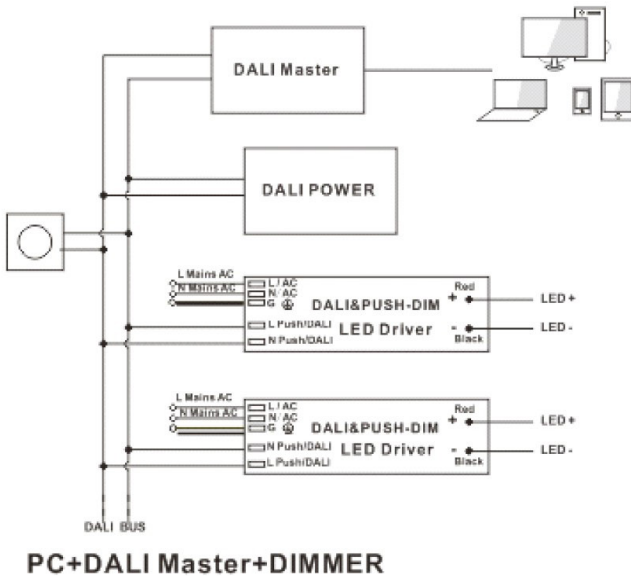
DALI Dimming Wiring Diagram1



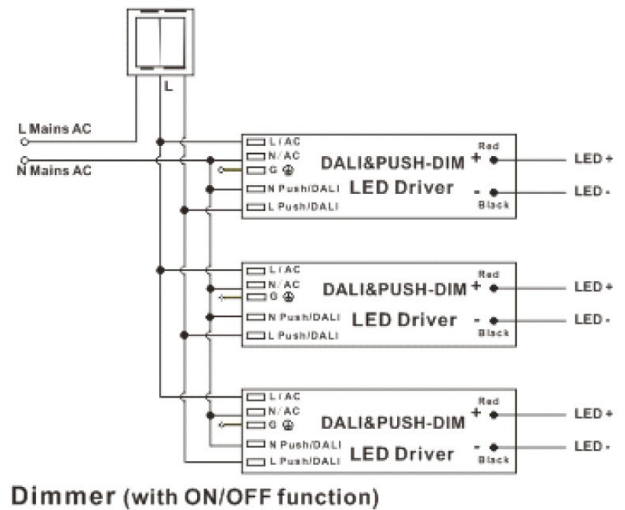
DALI Dimming Wiring Diagram2



DALI Dimming Wiring Diagram3



Push-Dimming Wiring Diagram1



Push-Dimming Wiring Diagram2

