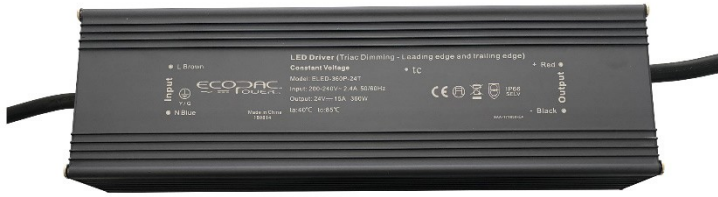


ELED-360P-T Series

360 Watt Premium Triac Dimmable Driver



PREMIUM RANGE

CE   IP66 SELV

Features:

- Works with leading edge and trailing edge TRIAC dimmers
- PWM Output
- Output constant voltage
- AC input 200 – 240VAC
- High efficiency up to 89%
- Protections: Short circuit/over loading/over temperature
- Cooling by free air convection
- IP66 design for outdoor installation

Model		ELED-360P-12T	ELED-360P-24T
Output	DC Voltage	12V	24V
	Voltage Tolerance	+0.5V	
	Rated Current	30A	15A
	Rated Power	360W	
Input	Voltage Range	200 – 240 VAC	
	Frequency Range	47 – 63HZ	
	Inrush Current	60A (Twidth=130µs 230VAC)	
	Power Factor	PF>0.97/200VAC PF>0.97/230VAC PF>0.97/240VAC (Full loading)	
	Full Load Efficiency (Typ.)	87%	89%
	Leakage Current	< 0.50mA	
Environment	Working TEMP.	-40 - +60°C	
	Working Humidity	20 – 95% RH, non-condensing	
	Storage TEM., Humidity	-4Q- +80°C, 10 –95%RH	
	TEMP . Coefficient	+0.03%/°C (0-40°C)	
	Vibration	10-500Hz 5G 12min./ 1 cycle, period for 72min.each along X, Y, Zaxes	
Safety&EMC	Safety Standards	EN61347-1 EN61347-2-13	
	Withstand Voltage	I/P-O/P:3.75KVAC I/P-FG: 1.88KVAC O/P-FG:0.5KVAC	
	Isolation Resistance	I/P-O/P I/P-FG O/P-FG: 100M Ohms/500VDC/25°C/70%RH	
	EMC EMISSION	Compliance to EN55015, EN61000-3-2,3 (>60%load)	
	EMC IMMUNITY	Compliance to EN61000-4-2,3,4,5,6,11, EN61547	
Other	Weight	1.67Kg	
	Size	276*78*47mm (L*W*H)	
	Packing	350*310*260mm 10PCS	

Architectural FX

Units 10 Longshot Lane Industrial Estate

Bracknell Berkshire RG12 1RL

Tel: ++44 (0) 1344 291536

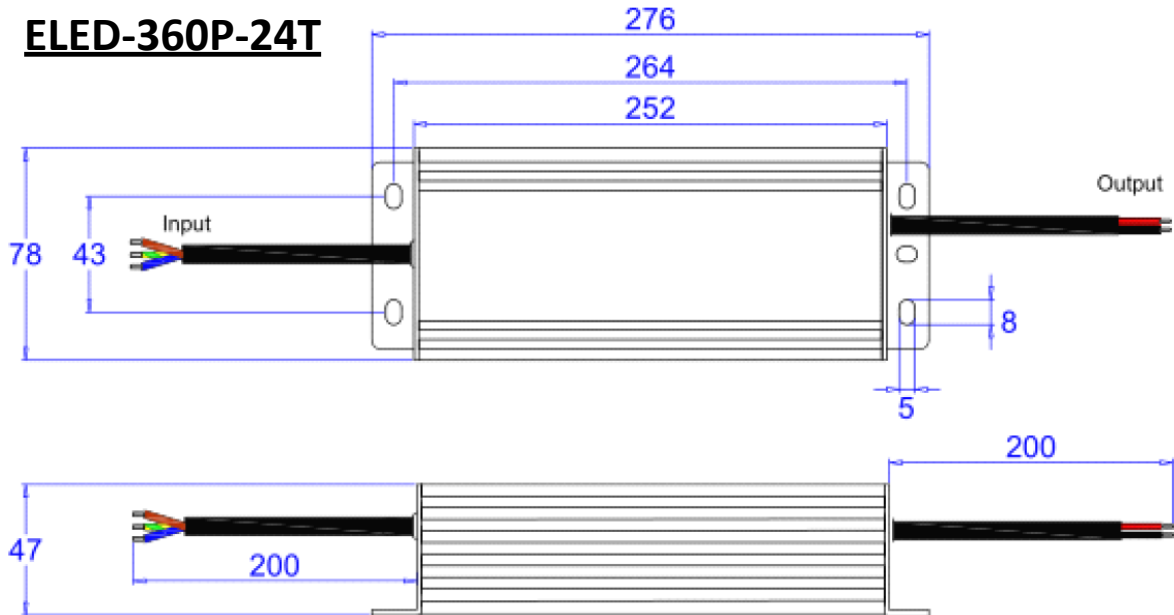
Email: sales@architecturalfx.co.uk

ELED-360P-T Series

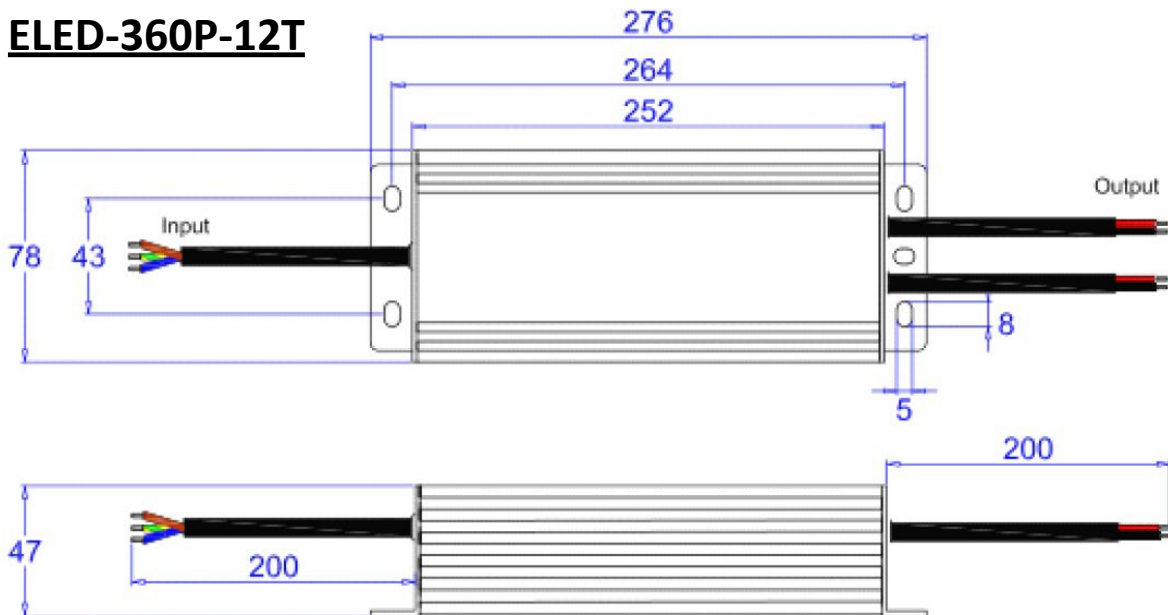
360 Watt Premium Triac Dimmable Driver

Mechanical Specification

ELED-360P-24T



ELED-360P-12T



ELED-360P-T Series

360 Watt Premium Triac Dimmable Driver

Derating Curve

