

ELED-360-DP2 Series

360W DALI 2 & Push Dimmable LED Driver



NFC Handheld devices



EasyNFC app



SELV IP66



Features:

- Constant voltage/ PWM Output (NFC regulation)
- DALI & Push dimming function (0-100%)
- AC input: 110-277VAC
- Built-in active PFC function
- Efficiency up to 93.5%
- Protections: Short circuit/ Over load/ Over temperature
- Cooling by free air convection
- IP66 design for indoor and outdoor installation.
- Suitable for intelligent LED lighting

Models

ELED-320-12DP2

ELED-360-24DP2

Output Specifications

Output Voltage	12V (12-13.5V adjust by NFC)	24V (24-26V adjust by NFC)
Voltage Tolerance	± 0.5%	
Output Current	26.6A	10A
Rated Power	320W	360W
Load Regulation	± 2%	

Input Specifications

Input Voltage	180-277VAC	
Frequency Range	47-63Hz	
Inrush Current	60A (Twidth=188µs 230VAC)	
Full Load Efficiency (Typ.)	93.5%	93.5%
AC Current (Max.)	3.5A	
Leakage Current	<0.50mA	
Power Factor	PF≥0.98@120VAC PF≥0.95@230VAC PF≥0.90@277VAC (Full loading)	

Protection

Short Circuit	Constant current mode, recovers automatically after fault condition is removed
Over Loading	≤120% constant current limiting, recovers automatically after fault condition is removed
Over Temperature	100°C± 10°C
Protection Class	I

Environment

Working Temperature	-40~+60°C (Refer to derating curve)
Working Humidity	20-95% RH, non-condensing

ELED-360-DP2 Series

360W DALI 2 & Push Dimmable LED Driver

Safety & EMC

Storage Temperature, Humidity	-40~+80°C, 10-95% RH
Temperature Coefficient	±0.03%/°C (0-50°C)
Vibration	10-500Hz, 5G 10min./ 1 cycle, period for 60min.each along X, Y, Z axes

Safety & EMC

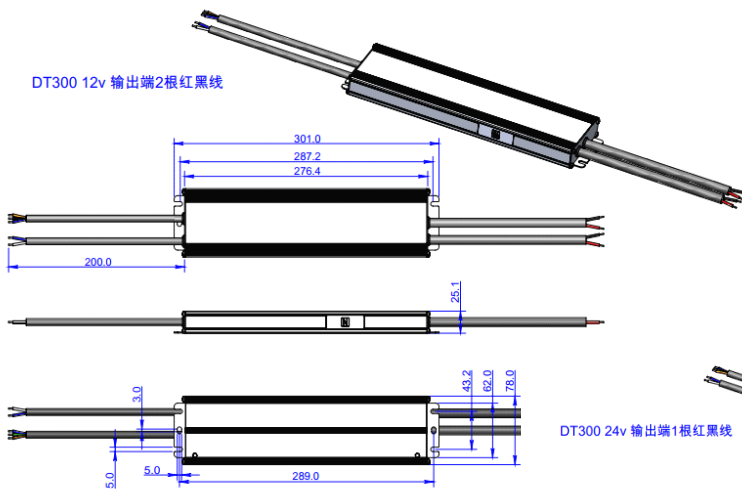
Safety standards	EN61347-1, EN61347-2-13, EN62493, UL8750 (US)IP66
Withstand voltage	I/P-O/P:3.75KVAC I/P-FG:1.88KVAC O/P-FG:0.5KVAC
Isolation resistance	I/P-O/P I/P-FG O/P-FG: 100MΩ/500VDC/25°C/70%RH
EMC Emission	Compliance to EN55015, EN61000-3-2, EN61000-3-3 (≥60% load)
EMC Immunity	Compliance to EN61000-4-2,3,4,5,6,11, EN61547

Other Specifications

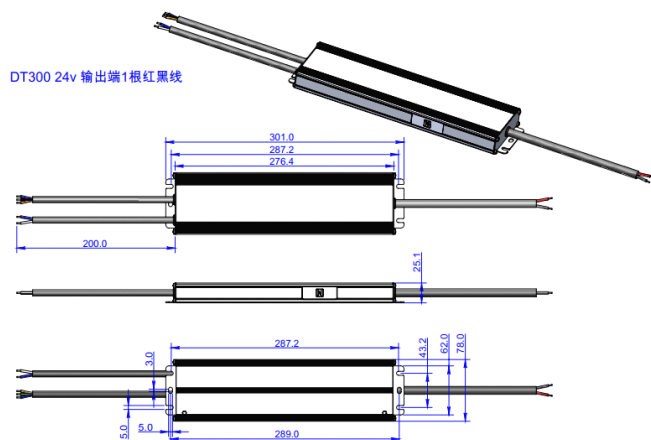
Weight	1.15Kg
Size	301x 78 x 25.1 mm
Packing	305x 262x 283 mm (10PCS/CTN, 24 Kg/CTN))

Mechanical Specifications

Model: ELED320-12DP2



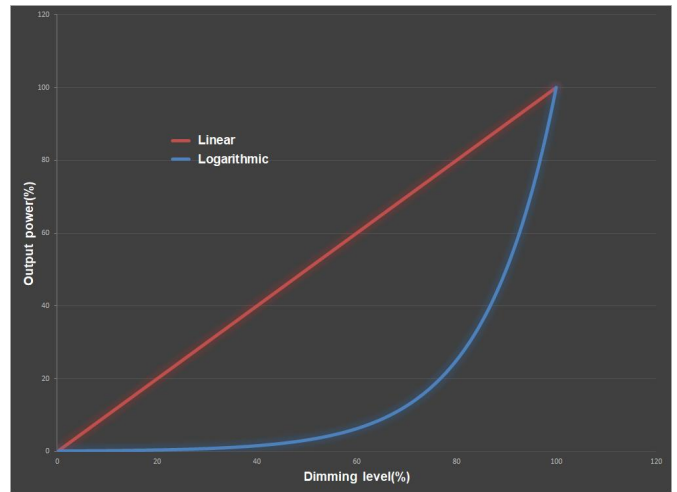
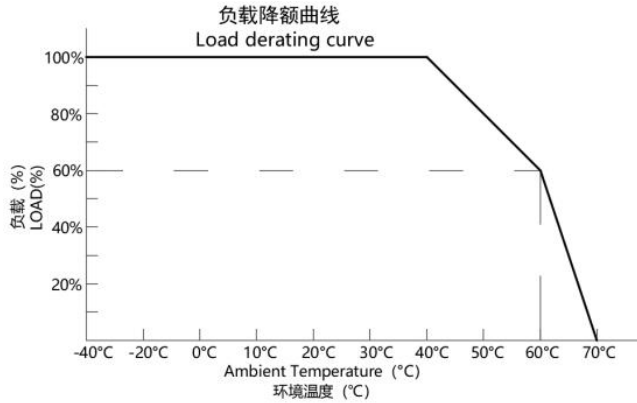
Model: ELED-360-24DP2



ELED-360-DP2 Series

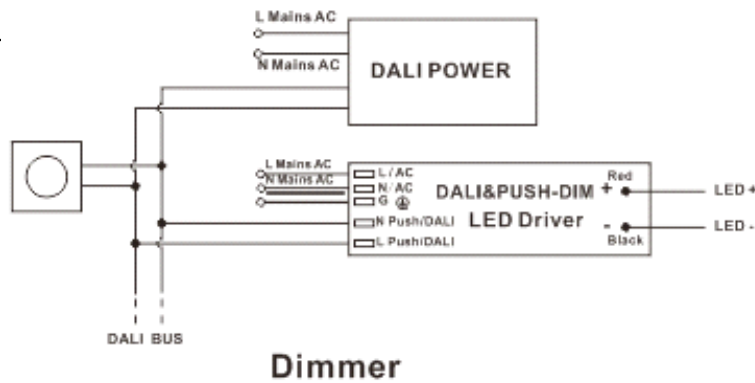
360W DALI 2 & Push Dimmable LED Driver

Derating Curve & Dimming Curve

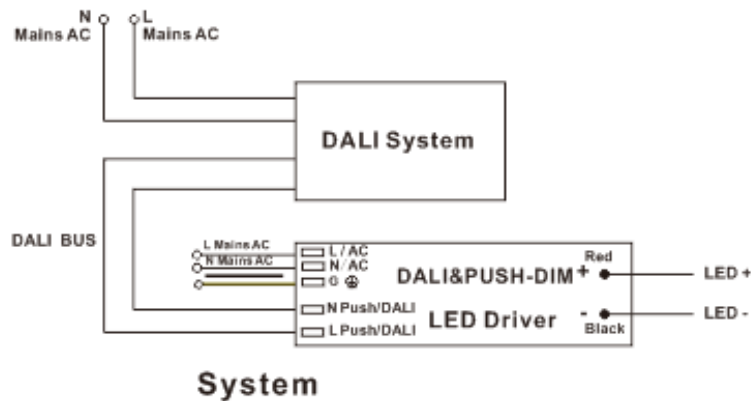


Dimming Operation

DALI Dimming Wiring Diagram1



DALI Dimming Wiring Diagram2

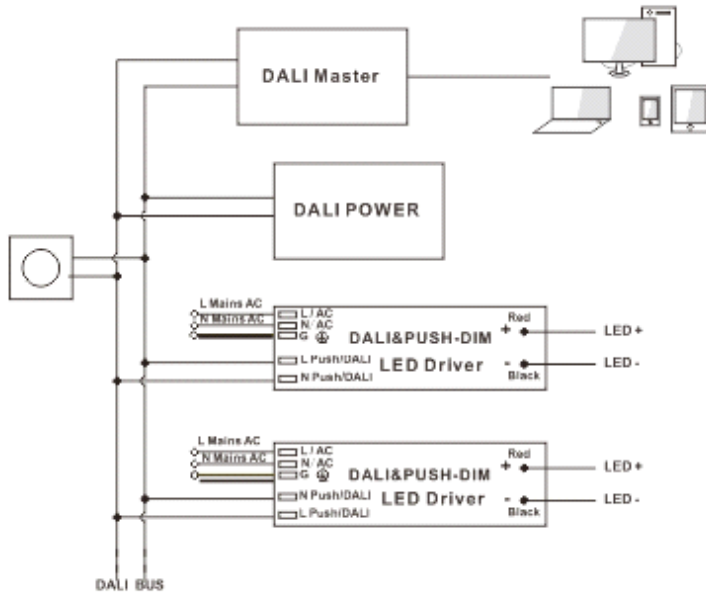


ELED-360-DP2 Series

360W DALI 2 & Push Dimmable LED Driver

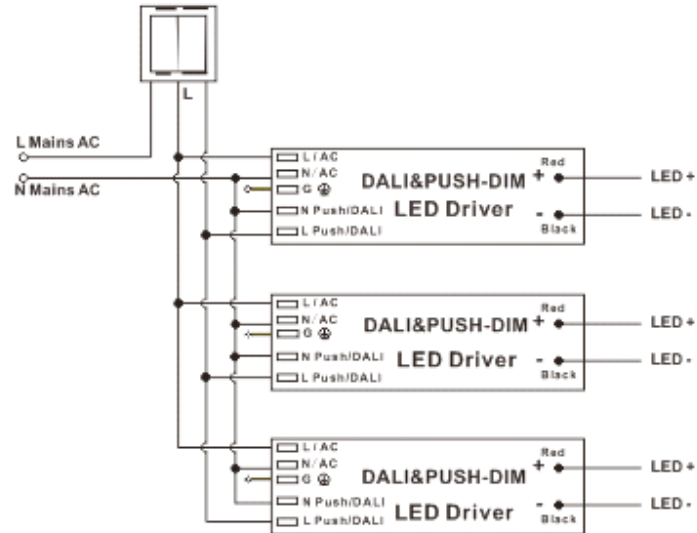
Dimming Operation

DALI Dimming Wiring Diagram3



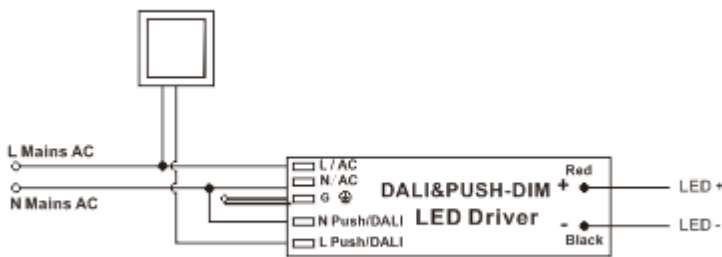
PC+DALI Master+DIMMER

Push-Dimming Wiring Diagram 1



Dimmer (with ON/OFF function)

Push-Dimming Wiring Diagram2



Dimmer

※Note: For DALI Dimming Wiring Diagram 3, please noted that only one DALI power is need in the DALI bus, so no extra DALI power is needed if the Master or Dimmer already includes the DALI Power.