

ARCHITECTURAL FX

Technicians of Light

Sauna 110 SVQ (Top View Side bend) White IP67



General Information

Flexible LED strip in UV-, chlorine-, saltwater, solvent and heat-resistant special silicone for indoor and outdoor use, IP67
5w, 275 lumens per m
Single Colour White 2700k, 3000k, 4000k (Finished CCT)
Cutttable every 50mm
Width 12mm x Height 17mm
Bending radius: 60mm
Max Single length 15m, in-feeder connector and an end cap as provided
Customized length with sealed connectors on request.
Constant light output and extended lifetime due to an integrated constant current source on the circuit board.

Electrical & output data

Input Voltage 24 Volt DC Constant Voltage (23 V min, 25 V max)
Ambient operating Temperature range: -20 to +110 °C
Storage temperature Ts min = 0°C, Ts max = +60°C
Dimmable – Mains (Triac), 0-10v, Dali, DMX
Protected against electrostatic discharge +/- 2,000 V

Lifetime and Warranty (See full Architectural FX total system warranty for more detail)

Lifespan L70: 60,000 hours
Product availability lifetime – 3 years from last order
End of Lifetime guarantee 5 years
The above data are typical values. Due to tolerances in the production process and electrical components, values for light output and electrical power can vary up to 10%.

Generic Product	Product Type	Bend Orientation	Colour (Finished CCT)	w/m	Mounting Accessory	Cable Entry
Sauna 110	SVQ White	Side	2700k	5w	MC - 50mm Clip	End (Standard)
Sauna 110	SVQ White	Side	3000k	5w	MP – Mounting Profile	Side Left - SL
Sauna 110	SVQ White	Side	4000k	5w		Side Right – SR
						Rear - R

Example:

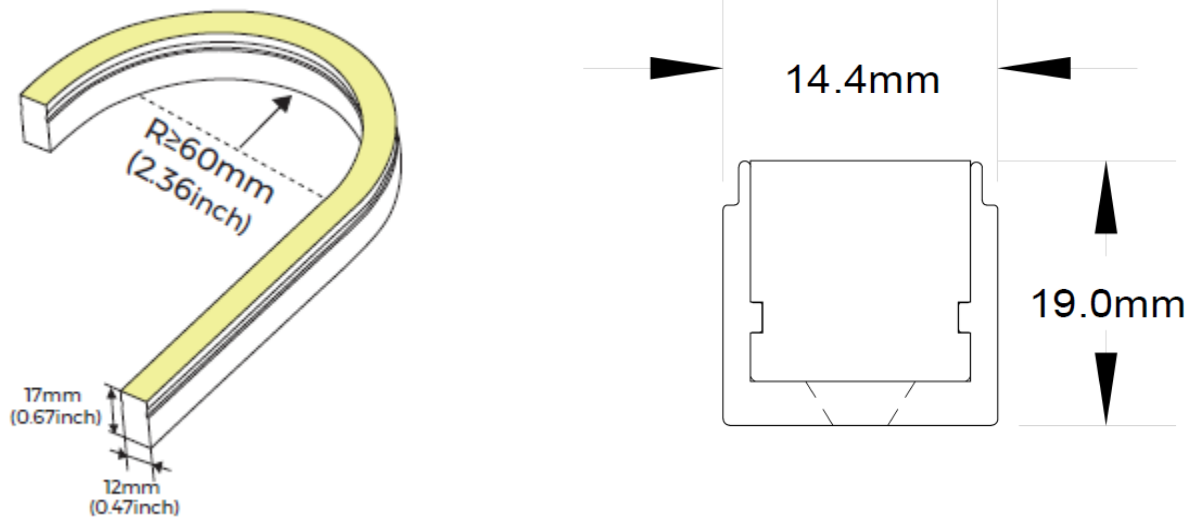
Sauna 110 TVQ 2700k 5.5w MC E (Custom length to suit project to be advised)

Customized length with sealed connectors on request.

Compatible Accessories (See Accessories data sheet for full details)

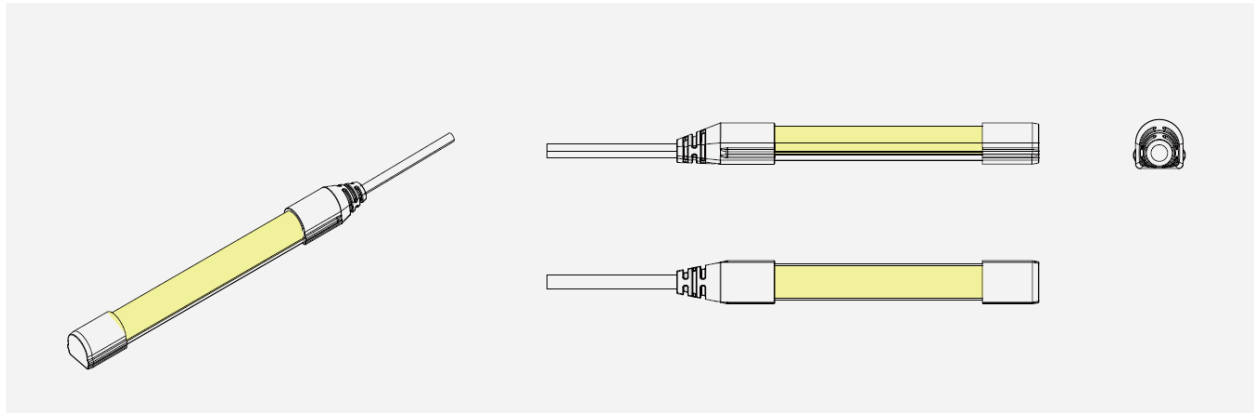


Note: Do not twist or bend against bend orientation on install

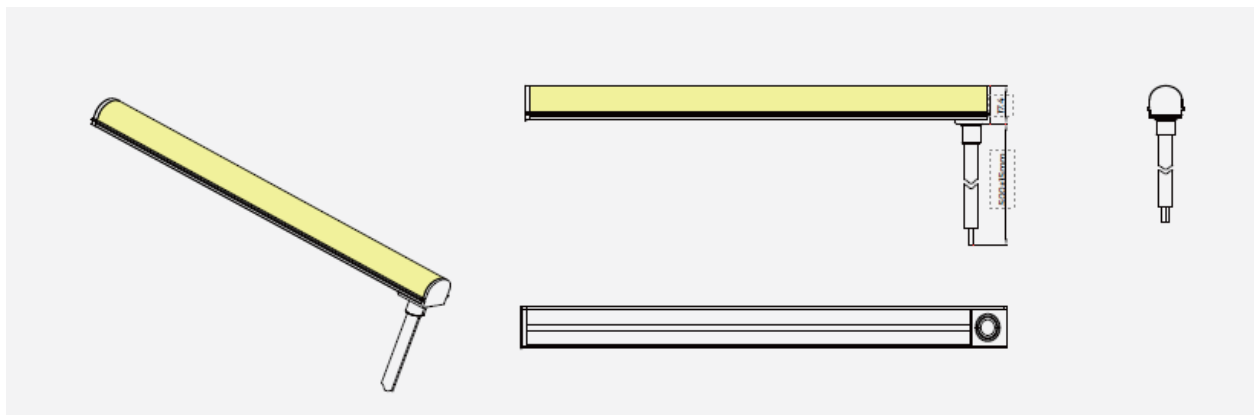


Cable Entry options

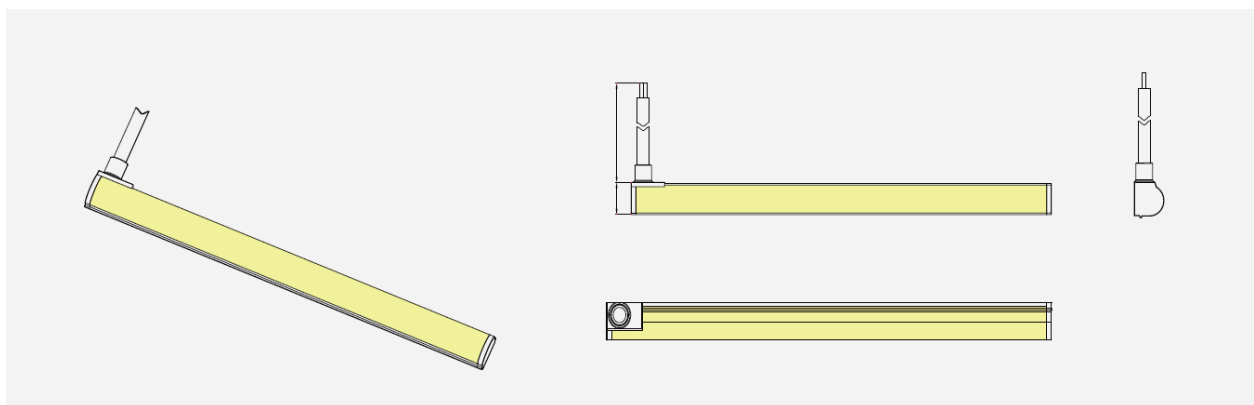
****ST - Straight** End Entry**



****SU - Rear** Entry**



****SL or SR Side** Entry (Left or Right)**



Note:

When ordering custom lengths of product, please consider

End Entry generally 4-5 weeks delivery

Rear Entry and Side Entry are factory moulded. Please allow extra 2 weeks for delivery