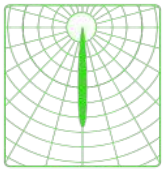


technical data sheet (IP67 version)

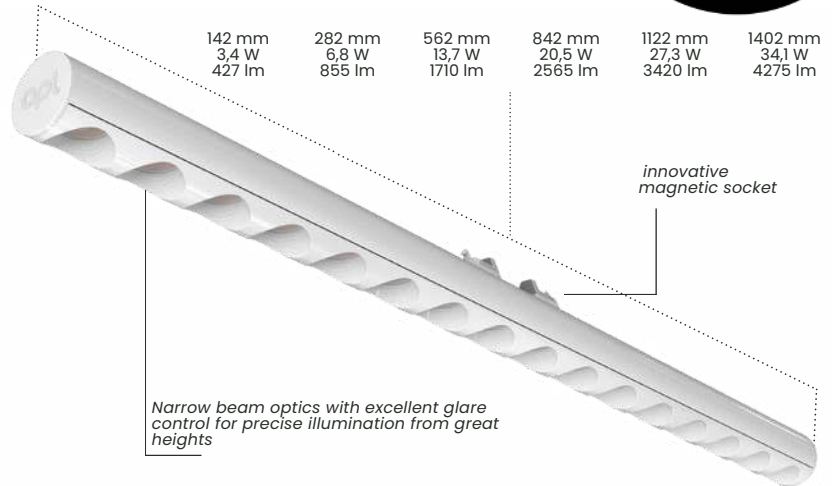
LTwo® – 10°HB – narrow spot constant current @600mA – 25 Watt/m



Ø 16,4 mm



total height
21,6 mm



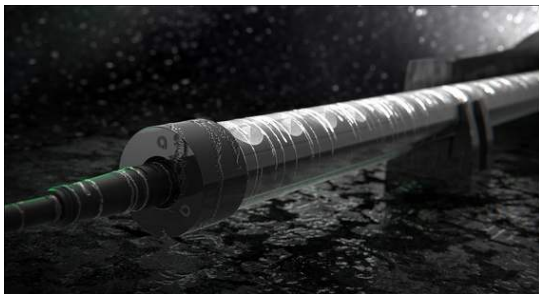
| | | | | | |
|--------|--------|---------|---------|---------|---------|
| 142 mm | 282 mm | 562 mm | 842 mm | 1122 mm | 1402 mm |
| 3,4 W | 6,8 W | 13,7 W | 20,5 W | 27,3 W | 34,1 W |
| 427 lm | 855 lm | 1710 lm | 2565 lm | 3420 lm | 4275 lm |

innovative magnetic socket

Narrow beam optics with excellent glare control for precise illumination from great heights



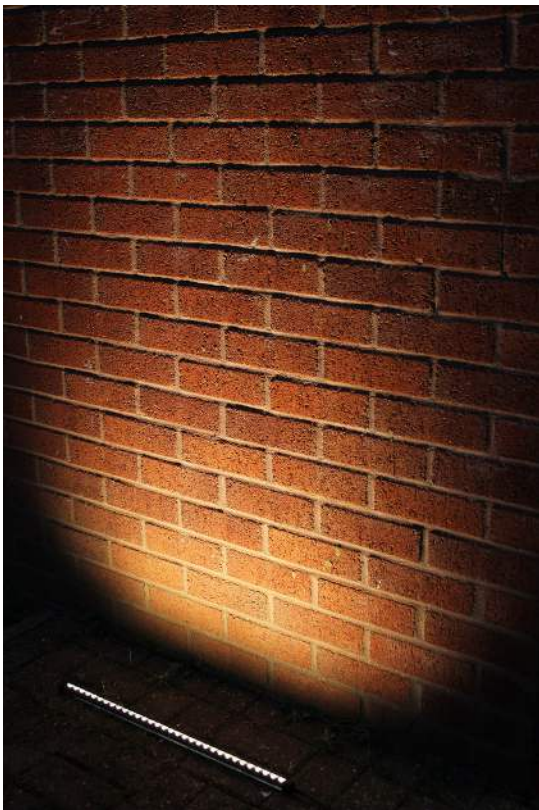
reddot winner 2023



product description

LTwo® - Light Tube with Optics. Narrow spot 10°HB optics with max. 4,275 lumen, based on the modular, miniaturised LTwo® light source/luminaire system with 13 high-quality precision optics and extensive accessories, for all lighting applications. Coded socket, for safe operation of lamp luminaires with different operating currents in Constant Voltage or Constant Current. Very environmentally friendly due to minimal use of material (180g/m), interchangeability, recyclability and high efficiency (up to 180 lm/W).

- LTwo® 10°HB - narrow spot - Constant Current @600mA - 25 W/m with 16.4 mm diameter.
- Available in black (RAL9005) and white (RAL9016)
- Lengths: 142 mm, 282 mm, 562 mm, 842 mm, 1122 mm and 1402 mm
- Watts: 3.4 W; 6.8 W; 13.7 W; 20.5 W; 27.3 W; 34.1 W
- Lumen @5000K: 427 lm, 855 lm, 1,710 lm, 2,565 lm, 3,420 lm, 4,275 lm
- Optical efficiency: 79 % (BB), 83 % (WW)
- UGR of -2.8 / -5.8 (BB), 10.3 / 11.1 (WW) @1,000 lm
- Ideal for precise spot lighting from great heights
- Optimally suited for buildings and material integration of all kinds all kinds
- Dimmable (linear)



Attention: the image above is the WallWasher fixture.

Please note: IP67 version does not use magnetic connection system Connection from one end only (Parallel wiring only) -30% lumen output from standard data

Attention: all following optical and electronic data have a tolerance of +/- 10%.

apl
All Purpose Lighting
Lahnstraße 30
45478 Mülheim a. d. Ruhr

+49 / (0)208 20777400
info@apl.ag
apl.ag

Architectural FX
Unit 16, The Business
Center, Molly Millars Lane,
Wokingham, RG41 2QY

+44(0)1344291536
sales@architecturalfx.co.uk
www.architecturalfx.co.uk

apl the ideal light



legend on the last page

product features

Dimensions

16,4 mm diameter

Length (mm)

142 mm, 282 mm, 562 mm, 842 mm, 1122 mm, 1402 mm
3,4W; 6,8W; 13,7W; 20,5W; 27,3W; 34,1W
427 lm, 855 lm, 1710 lm, 2565 lm, 3420 lm, 4275 lm

Qty. LED

16 per 280 mm

LED Pitch

17,5 mm

CCT / CRI

2700K, 3000K, 3500K, 4000K (>90), 5000K (>80)

Binning

3 SDCM

Lifetime

60000h L80B10

Protection

class IP20 (indoor use only!)

Risk group

RG1

Operating Mode

Constant Current (CC)

Operating Voltage

</=600mA

Housing temperature (Tc)

min. -20° / max. +70°

Ambient temperature (Ta)

min. -20° / max. +35°

Storage temperature (Ts)

min. -20° / max. 85°

order code

lease enter code here:

| Product | OP | NP | Optic | L | PC | C | LH | IP |
|-------------|----|----|-------|------|-----|----|-----|------|
| APL LTwo®T5 | CC | 25 | 10 | | | | MAG | IP20 |
| APL LTwo®T5 | CC | 25 | 10 | 140 | 927 | BB | MAG | IP20 |
| | | | | 280 | 930 | WW | | |
| | | | | 560 | 935 | | | |
| | | | | 840 | 940 | | | |
| | | | | 1120 | 850 | | | |
| | | | | 1400 | | | | |

example order code

APL LTwo®T5 CV 12 13 280 927 BB MAG IP20

| | |
|-------------------------------|---|
| OP operating system | CV Constant Voltage |
| NP nominal power per m | BB black profile – black ant glare |
| Optic optics | WW white profile – white ant glare |
| L length | |
| PC photometric code | |
| C housing colour | MAG magnetic luminaire holder |
| LH luminaire holder | |
| IP protection class | |

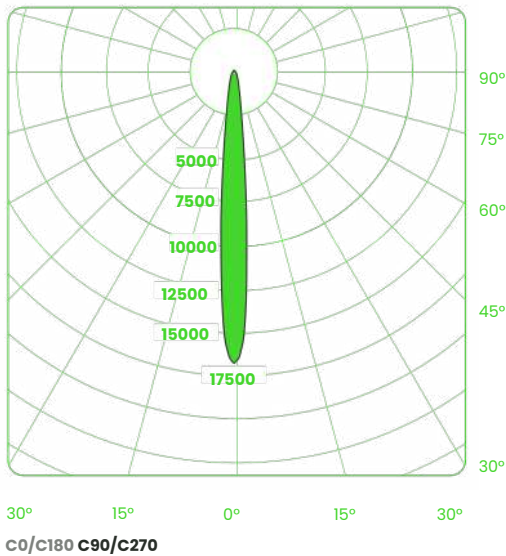
Photometric Code Example:
927 (9 = CRI >90 | 27 = 2700K)

LTwo® – 10°HB – narrow spot constant current – @600mA – 25 W/m

White Black

| CRI / CCT | Kelvin | 140 mm 3,4 W | 280 mm 6,8 W | 560 mm 13,7 W | 840 mm 20,5 W | 1120 mm 27,3 W | 1400 mm 34,1 W | Effizienz lm/W |
|----------------------|--------|-----------------|-----------------|------------------|------------------|-------------------|-------------------|----------------|
| 927 | 2700K | 331 | 662 | 1324 | 1986 | 2648 | 3310 | 97,0 |
| | | 315 | 630 | 1260 | 1890 | 2520 | 3150 | 92,3 |
| 930 | 3000K | 356 | 712 | 1423 | 2135 | 2847 | 3559 | 104,3 |
| | | 339 | 677 | 1355 | 2032 | 2710 | 3387 | 99,3 |
| 935 | 3500K | 340 | 681 | 1361 | 2042 | 2722 | 3403 | 99,7 |
| | | 324 | 648 | 1296 | 1943 | 2591 | 3239 | 94,9 |
| 940 | 4000K | 356 | 712 | 1423 | 2135 | 2847 | 3559 | 104,3 |
| | | 339 | 677 | 1355 | 2032 | 2710 | 3387 | 99,3 |
| 850 | 5000K | 427 | 855 | 1710 | 2565 | 3420 | 4275 | 125,3 |
| | | 407 | 814 | 1627 | 2441 | 3255 | 4069 | 119,2 |
| Typ. Vf (V) – 600 mA | | 6,22 | 11,99 | 23,54 | 35,21 | 46,78 | 46,30 | |

light distribution



LTwo® black – 10°HB, 560mm

Mounting Method to be discussed upon order.
 Custom solutions available.
 Contact sales@architecturalfx.co.uk for further information.