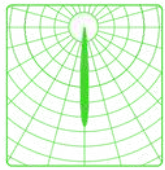


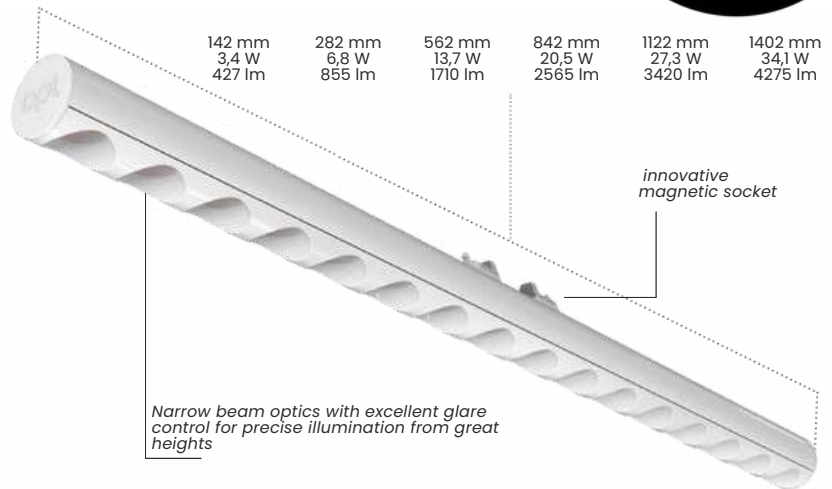
LTwo® – 10°HB – narrow spot constant current @600mA – 25 Watt/m



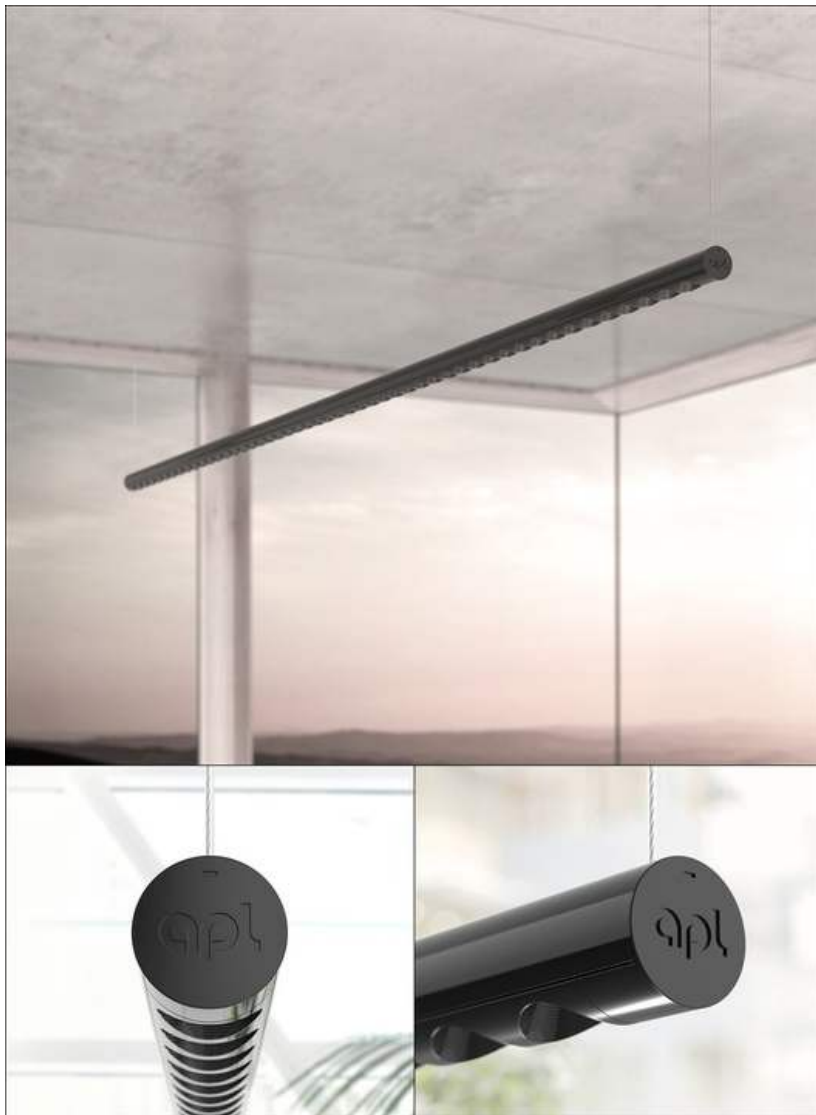
Ø 16,4 mm



total height
21,6 mm



reddot winner 2023



product description

LTwo® - Light Tube with Optics. Narrow spot 10°HB optics with max. 4,275 lumen, based on the modular, miniaturised LTwo® light source/luminaire system with 13 high-quality precision optics and extensive accessories, for all lighting applications. Coded socket, for safe operation of lamp luminaires with different operating currents in Constant Voltage and Constant Current. Very environmentally friendly due to minimal use of material (180g/m), interchangeability, recyclability and high efficiency (up to 180 lm/W).

- LTwo® 10°HB - narrow spot - Constant Current @600mA - 25 W/m with 16.4 mm diameter.
- Available in black (RAL9005) and white (RAL9016)
- Lengths: 142 mm, 282 mm, 562 mm, 842 mm, 1122 mm and 1402 mm
- Watts: 3.4 W; 6.8 W; 13.7 W; 20.5 W; 27.3 W; 34.1 W
- Lumen @5000K: 427 lm, 855 lm, 1,710 lm, 2,565 lm, 3,420 lm, 4,275 lm
- Optical efficiency: 79 % (BB), 83 % (WW)
- UGR of -2.8 / -5.8 (BB), 10.3 / 11.1 (WW) @1,000 lm
- Ideal for precise spot lighting from great heights
- Optimally suited for buildings and material integration of all kinds all kinds
- Dimmable (linear)

Please note: Pendent version does not use magnetic connection system. wiring is fed through suspension cables -30% lumen output from standard data

Attention: all following optical and electronic data have a tolerance of +/- 10%.



legend on the last page

product features

Dimensions

16,4 mm diameter

Length (mm)

142 mm, 282 mm, 562 mm, 842 mm, 1122 mm, 1402 mm
 3,4W; 6,8W; 13,7W; 20,5W; 27,3W; 34,1W
 427 lm, 855 lm, 1710 lm, 2565 lm, 3420 lm, 4275 lm

Qty. LED

16 per 280 mm

LED Pitch

17,5 mm

CCT / CRI

2700K, 3000K, 3500K, 4000K (>90), 5000K (>80)

Binning

3 SDCM

Lifetime

60000h L80B10

Protection

class IP20 (indoor use only!)

Risk group

RG1

Operating Mode

Constant Current (CC)

Operating Voltage

$\leq 600\text{mA}$

Housing temperature (Tc)

min. -20° / max. +70°

Ambient temperature (Ta)

min. -20° / max. +35°

Storage temperature (Ts)

min. -20° / max. 85°

order code

please enter code here:

Product	OP	NP	Optic	L	PC	C	LH	IP
APL LTwo®T5	CC	25	10				MAG	IP20
APL LTwo®T5	CC	25	10	140	927	BB	MAG	IP20
				280	930	WW		
				560	935			
				840	940			
				1120	850			
				1400				

example order code

APL LTwo®T5 CV 12 13 280 927 BB MAG IP20

- OP** operating system
- NP** nominal power per m
- Optic** optics
- L** length
- PC** photometric code
- C** housing colour
- LH** luminaire holder
- IP** protection class
- CV** Constant Voltage black profile –
- BB** Black antiglare **WW** white profile – white antiglare
- MAG** magnetic luminaire holder

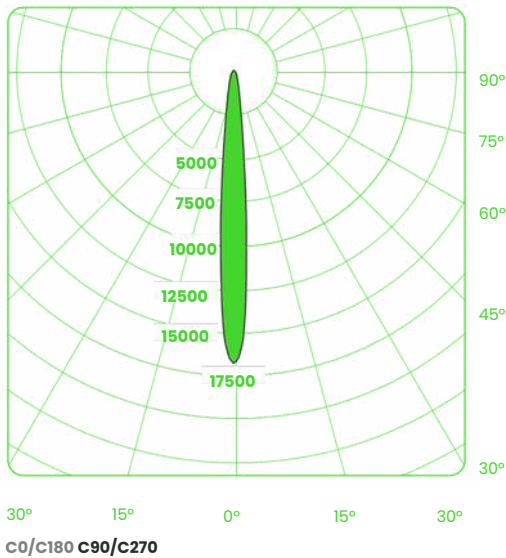
Photometric Code Example:
 927 (9 = CRI >90 | 27 = 2700K)

LTwo® – 10°HB – narrow spot constant current – @600mA – 25 W/m

White Black

CRI / CCT	Kelvin	140 mm 3,4 W	280 mm 6,8 W	560 mm 13,7 W	840 mm 20,5 W	1120 mm 27,3 W	1400 mm 34,1 W	Effizienz lm/W
927	2700K	331	662	1324	1986	2648	3310	97,0
		315	630	1260	1890	2520	3150	92,3
930	3000K	356	712	1423	2135	2847	3559	104,3
		339	677	1355	2032	2710	3387	99,3
935	3500K	340	681	1361	2042	2722	3403	99,7
		324	648	1296	1943	2591	3239	94,9
940	4000K	356	712	1423	2135	2847	3559	104,3
		339	677	1355	2032	2710	3387	99,3
850	5000K	427	855	1710	2565	3420	4275	125,3
		407	814	1627	2441	3255	4069	119,2
Typ. Vf (V) – 600 mA		6,22	11,99	23,54	35,21	46,78	46,30	

light distribution



LTwo® black – 10°HB, 560mm

Mounting Method to be discussed upon order.
 Custom solutions available.
 Contact sales@architecturalfx.co.uk for further information.