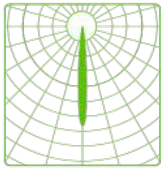


technical data sheet (Pendent versions)

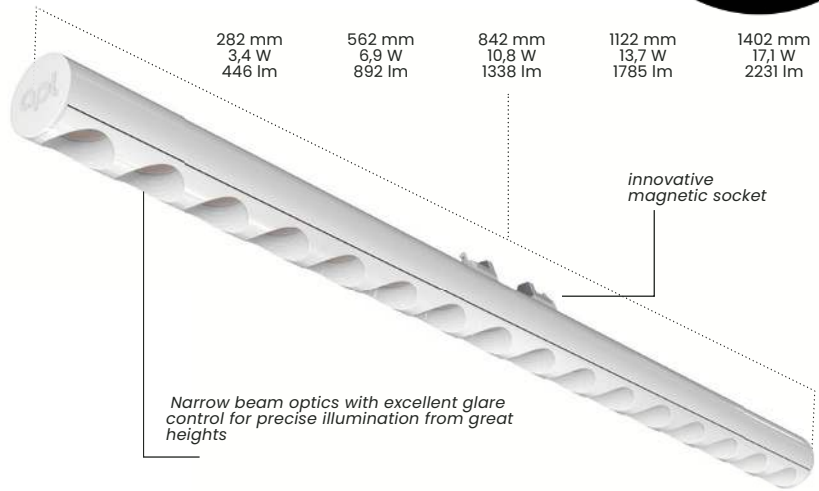
LTwo® – 10°HB – narrow spot constant voltage 48V – 12 watt/m



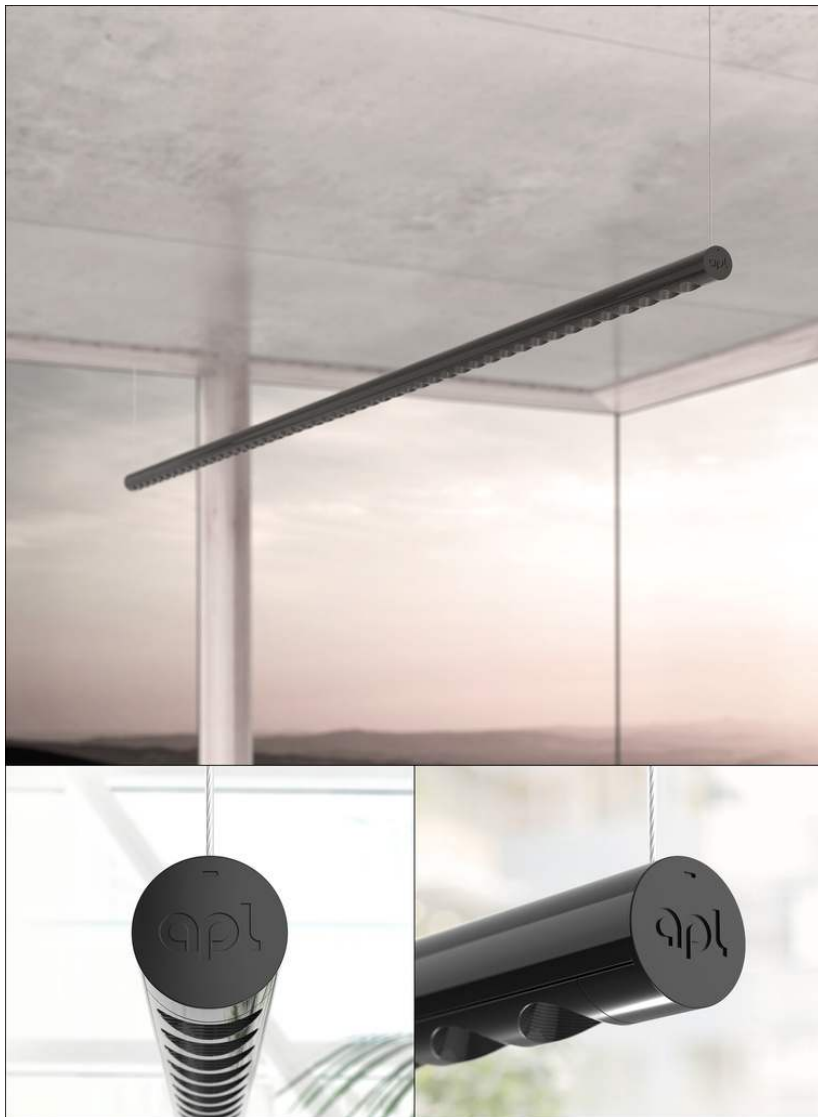
Ø 16,4 mm



total height
21,6 mm



reddot winner 2023



product description

LTwo® - Light Tube with Optics. Narrow spot 10°HB optics with max. 2,231 lumen, based on the modular, miniaturised LTtwo® light source/luminaire system with 13 high-quality precision optics and extensive accessories, for all lighting applications. Coded socket, for safe operation of lamp luminaires with different operating currents in Constant Voltage or Constant Current. Very environmentally friendly due to minimal use of material (180g/m), interchangeability, recyclability and high efficiency (up to 180 lm/W).

- LTtwo® 10°HB - narrow spot - Constant Voltage 48V - 12W/m with 16.4 mm diameter
- Available in black (RAL9005) and white (RAL9016)
- Lengths: 282 mm, 562 mm, 842 mm, 1122 mm, 1402 mm
- Watts: 3,4 W; 6,9 W; 10,8 W; 13,7 W; 17,1 W
- Lumen @5000K: 446 lm, 892 lm, 1,338 lm, 1,785 lm, 2,231 lm
- Optical efficiency: 79 % (BB), 83 % (WW)
- UGR of -2.7 / 5.2 (BB), 10.7 / 11.1 (WW) @1,000lm
- Ideal for precise spot lighting from great heights
- Optimally suited for buildings and material integration of all kinds
- Dimmable (PWM)

Please note: Pendent version does not use magnetic connection system. wiring is fed through suspension cables -30% lumen output from standard data

Attention: all following optical and electronic data have a tolerance of +/- 10%.

apl
All Purpose Lighting
Lahnstraße 30
45478 Mülheim a. d. Ruhr

+49 / (0)208 20777400
info@apl.ag
apl.ag

Architectural FX
Unit 16, The Business
Center, Molly Millars Lane,
Wokingham, RG41 2QY

+44(0)1344291536
sales@architecturalfx.co.uk
www.architecturalfx.co.uk

apl the ideal light



legend on the last page

product features

Dimensions

16,4 mm diameter

Length (mm)

282 mm, 562 mm, 842 mm, 1122 mm, 1402 mm

3,4W; 6,9W; 10,8W; 13,7W; 17,1W

446 lm, 892 lm, 1338 lm, 1785 lm, 2231 lm

Qty. LED

16 per 280 mm

LED Pitch

17,5 mm

CCT / CRI

2700K, 3000K, 3500K, 4000K (>90) 5000K (>80)

Binning

3 SDCM

Lifetime

60000h L80B10

Protection

class IP20 (indoor use only!)

Risk group

RG1

Operating Mode

Constant Voltage (CV)

Operating Voltage

48 V DC -2,0 / +1,75

Housing temperature (Tc)

min. -20° / max. +65°

Ambient temperature (Ta)

min. -20° / max. +45°

Storage temperature (Ts)

min. -20° / max. 85°

order code

Please enter code here:

Product	OP	NP	Optic	L	PC	C	LH	IP
APL LTwo®T5	CV	12	10				MAG	IP20
APL LTwo®T5	CV	12	10	280	927	BB	MAG	IP20
				560	930	WW		
				840	935			
				1120	940			
				1400	850			

example order code

APL LTwo®T5 CV 12 13 280 927 BB MAG IP20

OP operating system

NP nominal power per m

Optic optics

L length

PC photometric code

C housing colour

LH luminaire holder

IP protection class

CV Constant Voltage

BB black profile – black antiglare

WW white profile – white antiglare

MAG magnetic luminaire holder

Photometric Code Example:

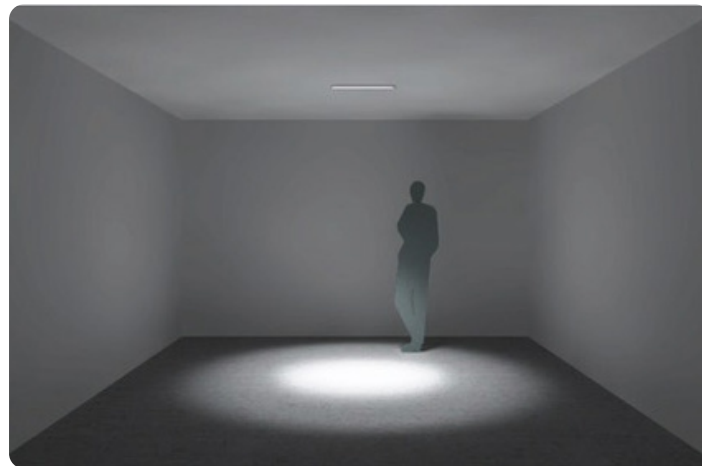
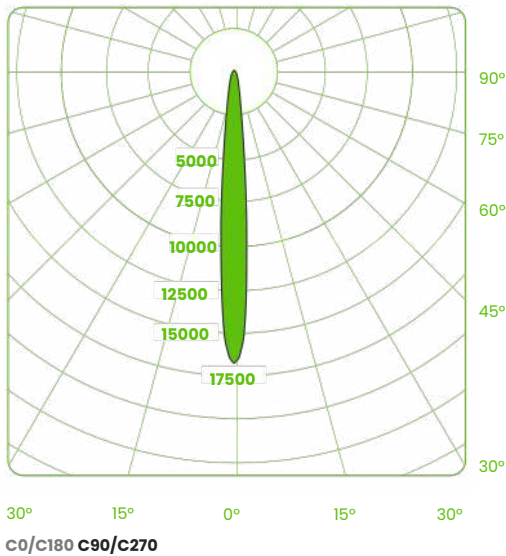
927 (9 = CRI >90 | 27 = 2700K)

LTwo® – 10°HB – narrow spot constant voltage 48V – 12 W/m

White Black

CRI / CCT	Kelvin	280 mm 3,4 W	560 mm 6,9 W	840 mm 10,8 W	1120 mm 13,7 W	1400 mm 17,1 W	Lumen/Watt
927	2700K	344	689	1033	1378	1722	100,6
		328	656	984	1311	1639	95,7
930	3000K	374	747	1121	1494	1868	109,1
		356	711	1067	1422	1778	103,8
935	3500K	355	710	1064	1419	1774	103,6
		338	675	1013	1351	1689	98,6
940	4000K	374	747	1121	1494	1868	109,1
		356	711	1067	1422	1778	103,8
850	5000K	446	892	1338	1785	2231	130,3
		425	849	1274	1699	2123	124,0

light distribution



LTwo® black - 10°HB, 560mm

Mounting Method to be discussed upon order.
 Custom solutions available.
 Contact sales@architecturalfx.co.uk for further information.