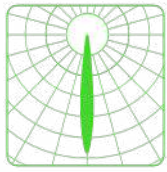


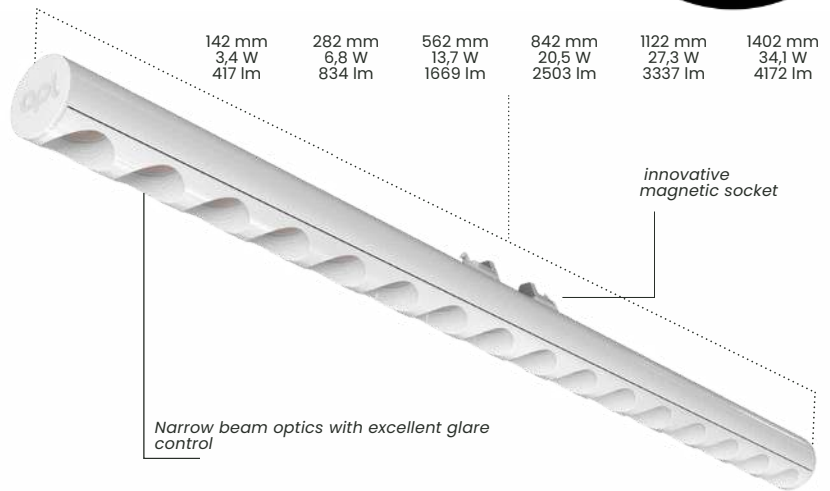
LTwo® – 13° – spot constant current @600mA – 25 Watt/m



Ø 16,4 mm



Gesamthöhe
total height
21,6 mm



reddot winner 2023



product description

LTwo® - Light Tube with Optics. Spot 13° optics with max. 4,172 lumen, based on the modular, miniaturised LTwo® light source/ luminaire system with 13 high-quality precision optics and extensive accessories, for all lighting applications. Coded socket, for safe operation of lamp luminaires with different operating currents in Constant Voltage or Constant Current. Very environmentally friendly due to minimal use of material (180g/m), interchangeability, recyclability and high efficiency (up to 180 lm/W).

- LTwo® 13° - spot - Constant Current @600mA - 25 W/m with 16.4 mm diameter
- Available in black (RAL9005) and white (RAL9016)
- Lengths: 142 mm, 282 mm, 562 mm, 842 mm, 1122 mm and 1402 mm
- Watts: 3.4 W; 6.8 W; 13.7 W; 20.5 W; 27.3 W; 34.1 W
- Lumen @5000K: 417 lm, 834 lm, 1,669 lm, 2,503 lm, 3,337 lm, 4,172 lm
- Optical efficiency: 76 % (BB), 81 % (WW)
- UGR of 3.4 / 0.7 (BB), 11.6 / 12.1 (WW) @1,000 lm
- Ideal for highlighting individual objects and accentuating structures in architecture
- Optimally suited for buildings and material integration of all kinds
- Dimmable (linear)

Please note: Pendent version does not use magnetic connection system. wiring is fed through suspension cables -30% lumen output from standard data

Attention: all following optical and electronic data have a tolerance of +/- 10%.



legend on the last page

product features

Dimensions

16,4 mm diameter

Length (mm)

142 mm, 282 mm, 562 mm, 842 mm, 1122 mm, 1402 mm
3,4W; 6,8W; 13,7W; 20,5W; 27,3W; 34,1W
417 lm, 834 lm, 1669 lm, 2503 lm, 3337 lm, 4172 lm

Qty. LED

16 per 280 mm

LED Pitch

17,5 mm

CCT / CRI

2700K, 3000K, 3500K, 4000K (>90), 5000K (>80)

Binning

3 SDCM

Lifetime

60000h L80B10

Protection

class IP20 (indoor use only!)

Risk group

RG1

Operating Mode

Constant Current (CC)

Operating Voltage

</=600mA

Housing temperature (Tc)

min. -20° / max. +70°

Ambient temperature (Ta)

min. -20° / max. +35°

Storage temperature (Ts)

min. -20° / max. 85°

order code

Please enter code here:

Product	OP	NP	Optic	L	PC	C	LH	IP
APL LTwo®T5	CC	25	13				MAG	IP20
APL LTwo®T5	CC	25	13	140	927	BB	MAG	IP20
				280	930	WW		
				560	935			
				840	940			
				1120	850			
				1400				

example order code

APL LTwo®T5 CV 12 13 280 927 BB MAG IP20

OP operating system	CV Constant Voltage
NP nominal power per m	BB black profile – black antiglare
Optic optics	WW white profile – white antiglare
L length	
PC photometric code	
C housing colour	MAG magnetic luminaire holder
LH luminaire holder	
IP protection class	

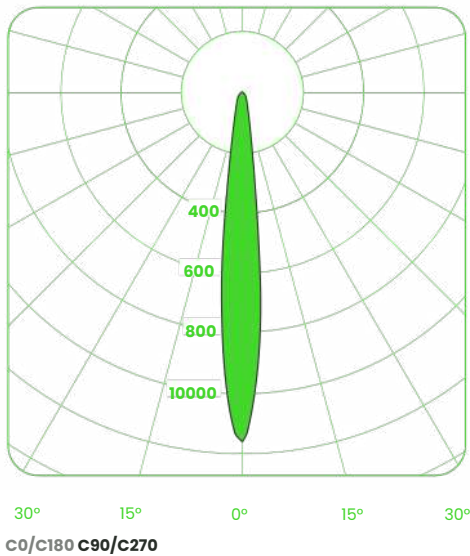
Photometric Code Example:
927 (9 = CRI >90 | 27 = 2700K)

LTwo® – 13° – spot constant current – @600mA – 25 W/m

White Black

CRI / CCT	Kelvin	140 mm 3,4 W	280 mm 6,8 W	560 mm 13,7 W	840 mm 20,5 W	1120 mm 27,3 W	1400 mm 34,1 W	Effizienz lm/W
927	2700K	323	646	1292	1938	2584	3230	94,7
		303	606	1212	1818	2424	3031	88,8
930	3000K	347	695	1389	2084	2778	3473	101,8
		326	652	1303	1955	2607	3259	95,5
935	3500K	332	664	1328	1993	2657	3321	97,3
		312	623	1246	1870	2493	3116	91,3
940	4000K	347	695	1389	2084	2778	3473	101,8
		326	652	1303	1955	2607	3259	95,5
850	5000K	417	834	1669	2503	3337	4172	122,3
		391	783	1566	2348	3131	3914	114,7
Typ. Vf (V) – 600 mA		6,22	11,99	23,54	35,21	46,78	46,30	

light distribution



LTwo® black - 13°, 560mm

Mounting Method to be discussed upon order.
 Custom solutions available.
 Contact sales@architecturalfx.co.uk for further information.