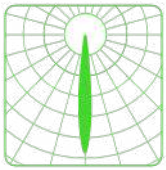


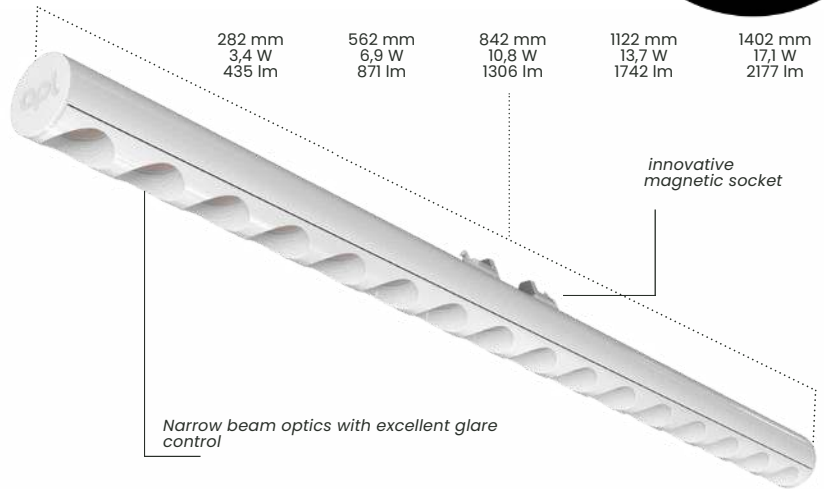
# LTwo® – 13° – spot constant voltage 48V – 12 watt/m



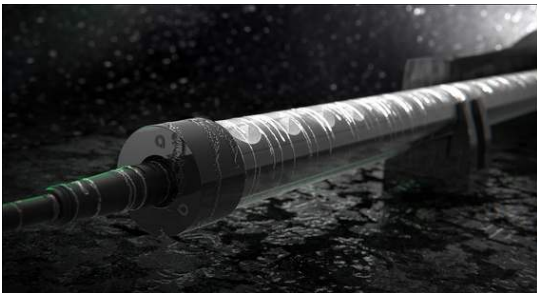
Ø 16,4 mm



Gesamthöhe  
total height  
21,6 mm



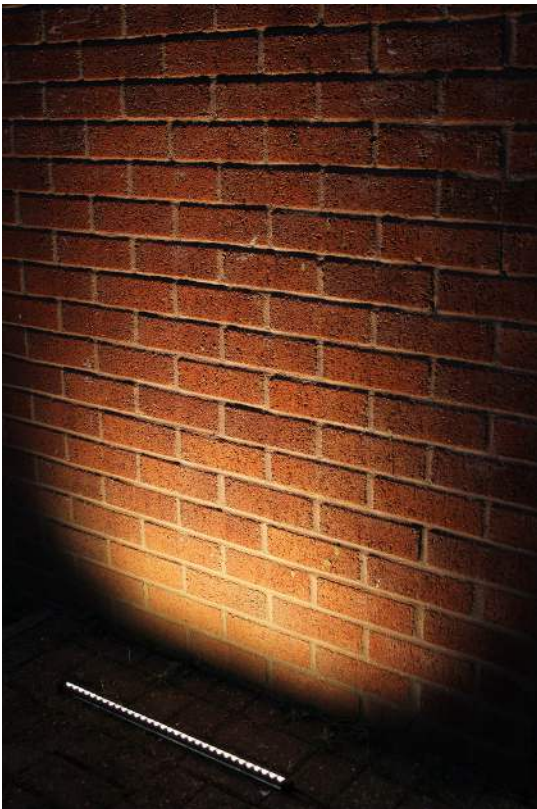
reddot winner 2023



## product description

LTwo® - Light Tube with Optics. Spot 13° optics with max. 2,177 lumen, based on the modular, miniaturised LTTwo® light source/ luminaire system with 13 high-quality precision optics and extensive accessories, for all lighting applications. With newly developed, multifunctional lamp/luminaire holder for easy, tool-free, magnetic installation and angle adjustment in +/-20°, as well as locking. Coded socket, for safe operation of lamp luminaires with different operating currents in Constant Voltage or Constant Current. Very environmentally friendly due to minimal use of material (180g/m), interchangeability, recyclability and high efficiency (up to 180 lm/W).

- LTTwo® 13° - spot - Constant Voltage 48V - 12W/m with 16.4 mm diameter
- Available in black (RAL9005) and white (RAL9016)
- Lengths: 282 mm, 562 mm, 842 mm, 1122 mm, 1402 mm
- Watts: 3,4 W; 6,9 W; 10,8 W; 13,7 W; 17,1 W
- Lumen @5000K: 435 lm, 871 lm, 1,306 lm, 1,742 lm, 2,177 lm
- Optical efficiency: 76 % (BB), 81 % (WW)
- UGR of 3.3 / 0.5 (BB), 11.4 / 12.1 (WW) @1,000lm
- Ideal for highlighting individual objects and accentuating structures in architecture
- Optimally suited for buildings and material integration of all kinds
- Dimmable (PWM)



Please note: IP67 version does not use magnetic connection system Connection from one end only (Parallel wiring only) -30% lumen output from standard data

Attention: all following optical and electronic data have a tolerance of +/- 10%.



legend on the last page

## product features

### Dimensions

16,4 mm diameter

### Length (mm)

282 mm, 562 mm, 842 mm, 1122 mm, 1402 mm  
3,4W; 6,9W; 10,8W; 13,7W; 17,1W  
435 lm, 871 lm, 1306 lm, 1742 lm, 2177 lm

### Qty. LED

16 per 280 mm

### LED Pitch

17,5 mm

### CCT / CRI

2700K, 3000K, 3500K, 4000K (>90) 5000K (>80)

### Binning

3 SDCM

### Lifetime

60000h L80B10

### Protection

class IP20 (indoor use only!)

### Risk group

RG1

### Operating Mode

Constant Voltage (CV)

### Operating Voltage

48 V DC -2,0 / +1,75

### Housing temperature (Tc)

min. -20° / max. +65°

### Ambient temperature (Ta)

min. -20° / max. +45°

### Storage temperature (Ts)

min. -20° / max. 85°

## order code

Please enter code here:

Product	OP	NP	Optic	L	PC	C	LH	IP
APL LTwo®T5	CV	12	13				MAG	IP20
APL LTwo®T5	CV	12	13	280	927	BB	MAG	IP20
				560	930	WW		
				840	935			
				1120	940			
				1400	850			

### example order code

APL LTwo®T5 CV 12 13 280 927 BB MAG IP20

<b>OP</b> operating system	<b>CV</b> Constant Voltage
<b>NP</b> nominal power per m	<b>BB</b> black profile – black antiglare
<b>Optic</b> optics	<b>WW</b> white profile – white antiglare
<b>L</b> length	
<b>PC</b> photometric code	
<b>C</b> housing colour	<b>MAG</b> magnetic luminaire holder
<b>LH</b> luminaire holder	
<b>IP</b> protection class	

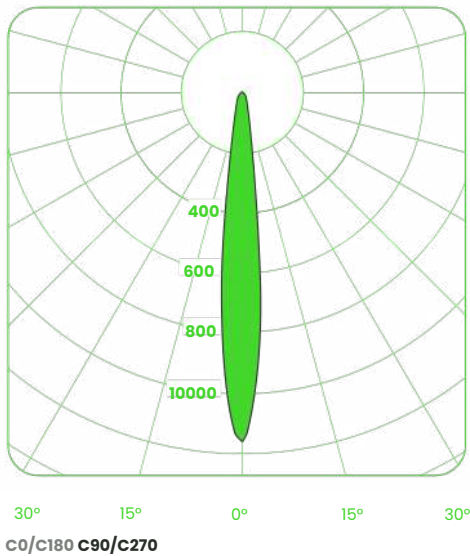
Photometric Code Example:  
927 (9 = CRI >90 | 27 = 2700K)

# LTwo® – 13° – spot constant voltage 48V – 12 W/m

White Black

CRI / CCT	Kelvin	280 mm 3,4 W	560 mm 6,9 W	840 mm 10,8 W	1120 mm 13,7 W	1400 mm 17,1 W	Lumen/Watt
927	2700K	336	672	1008	1345	1681	<b>98,1</b>
		315	631	946	1262	1577	<b>92,1</b>
930	3000K	365	729	1094	1458	1823	<b>106,4</b>
		342	684	1026	1368	1710	<b>99,9</b>
935	3500K	346	693	1039	1385	1731	<b>101,1</b>
		325	650	975	1300	1625	<b>94,9</b>
940	4000K	365	729	1094	1458	1823	<b>106,4</b>
		342	684	1026	1368	1710	<b>99,9</b>
850	5000K	435	871	1306	1742	2177	<b>127,1</b>
		409	817	1226	1634	2043	<b>119,3</b>

## light distribution



LTwo® black - 13°, 560mm

Mounting Method to be discussed upon order.  
 Custom solutions available.  
 Contact [sales@architecturalfx.co.uk](mailto:sales@architecturalfx.co.uk) for further information.