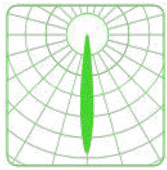


technical data sheet (Pendent version)

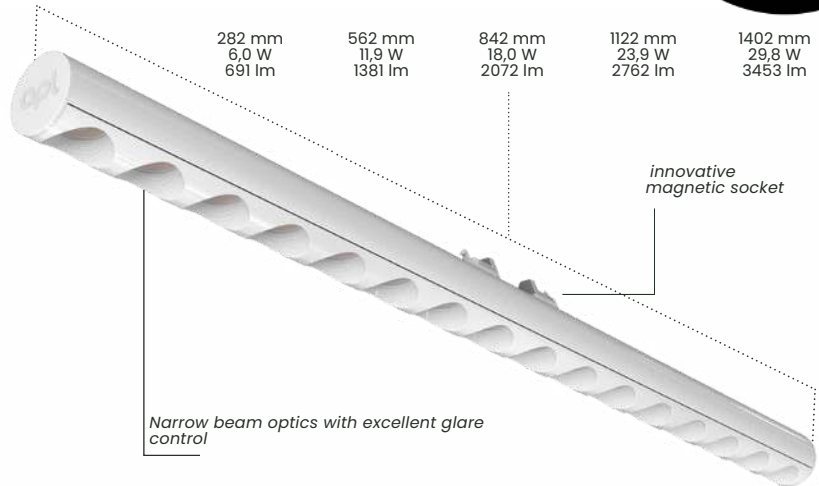
# LTwo® – 13° – spot constant voltage 48V – 20 watt/m



Ø 16,4 mm



total height  
21,6 mm



282 mm  
6,0 W  
691 lm

562 mm  
11,9 W  
1381 lm

842 mm  
18,0 W  
2072 lm

1122 mm  
23,9 W  
2762 lm

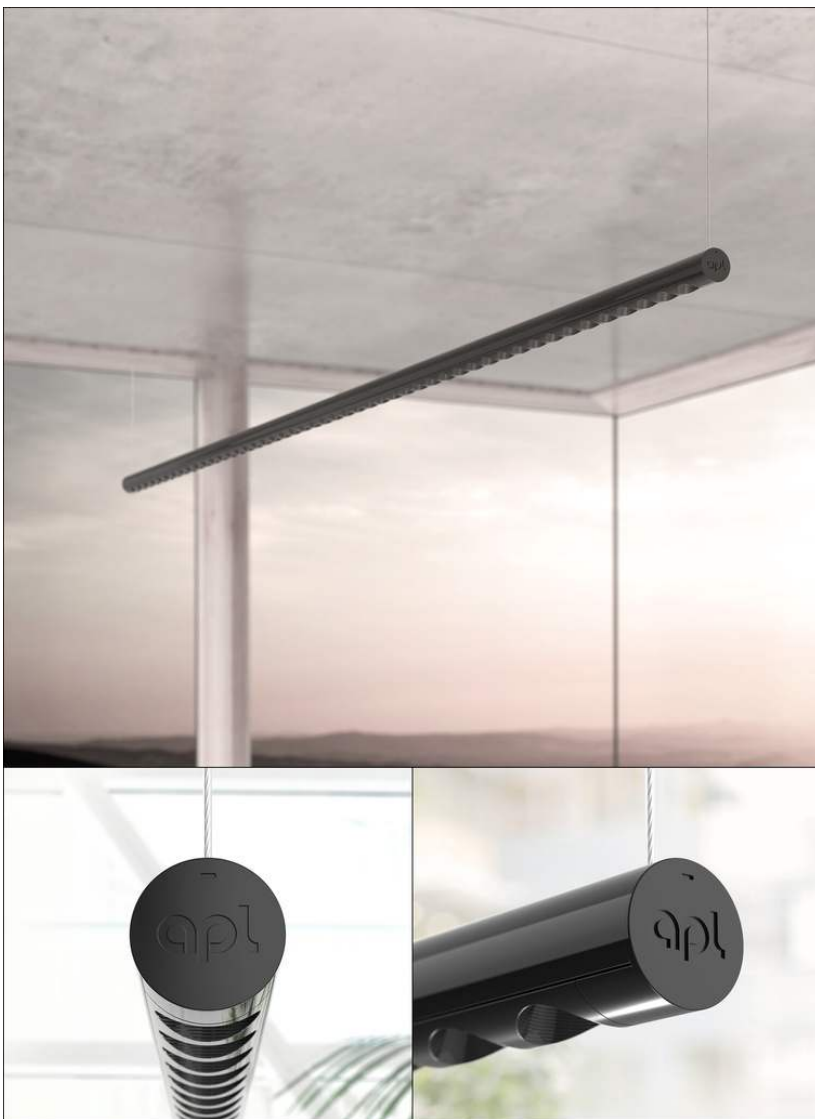
1402 mm  
29,8 W  
3453 lm

innovative  
magnetic socket

Narrow beam optics with excellent glare control



reddot winner 2023



## product description

LTwo® - Light Tube with Optics. Spot 13° optics with max. 3,453 lumen, based on the modular, miniaturised LTwo® light source/ luminaire system with 13 high-quality precision optics and extensive accessories, for all lighting applications. Coded socket, for safe operation of lamp luminaires with different operating currents in Constant Voltage or Constant Current. Very environmentally friendly due to minimal use of material (180g/m), interchangeability, recyclability and high efficiency (up to 180 lm/W).

- LTwo® 13° - spot - Constant Voltage 48V - 20W/m with 16.4 mm diameter
- Available in black (RAL9005) and white (RAL9016)
- Lengths: 282 mm, 562 mm, 842 mm, 1122 mm, 1402 mm
- Watts: 6.0 W; 11.9 W; 18.0 W; 23.9 W; 29.8 W
- Lumen @5000K: 691 lm, 1,381 lm, 2,072 lm, 2,762 lm, 3,453 lm
- Optical efficiency: 76 % (BB), 81 % (WW)
- UGR of 3.2 / 0.4 (BB), 11.3 / 12.0 (WW) @1,000lm
- Ideal for highlighting individual objects and accentuating structures in architecture
- Optimally suited for buildings and material integration of all kinds
- Dimmable (PWM)

Please note: Pendent version does not use magnetic connection system. wiring is fed through suspension cables -30% lumen output from standard data

Attention: all following optical and electronic data have a tolerance of +/- 10%.

apl  
All Purpose Lighting  
Lahnstraße 30  
45478 Mülheim a. d. Ruhr

+49 / (0)208 20777400  
info@apl.ag  
apl.ag

Architectural FX  
Unit 16, The Business  
Center, Molly Millars Lane,  
Wokingham, RG41 2QY

+44(0)1344291536  
sales@architecturalfx.co.uk  
www.architecturalfx.co.uk

apl the ideal light



legend on the last page

## product features

### Dimensions

16,4 mm diameter

### Length (mm)

282 mm, 562 mm, 842 mm, 1122 mm, 1402 mm  
6,0W; 11,9W; 18,0W; 23,9W; 29,8W  
691 lm, 1381 lm, 2072 lm, 2762 lm, 3453 lm

### Qty. LED

16 per 280 mm

### LED Pitch

17,5 mm

### CCT / CRI

2700K, 3000K, 3500K, 4000K (>90) 5000K (>80)

### Binning

3 SDCM

### Lifetime

60000h L80B10

### Protection

class IP20 (indoor use only!)

### Risk group

RG1

### Operating Mode

Constant Voltage (CV)

### Operating Voltage

48 V DC -2,0 / +1,75

### Housing temperature (T<sub>c</sub>)

min. -20° / max. +70°

### Ambient temperature (T<sub>a</sub>)

min. -20° / max. +35°

### Storage temperature (T<sub>s</sub>)

min. -20° / max. 85°

## order code

Please enter code here:

Product	OP	NP	Optic	L	PC	C	LH	IP
APL LTwo®T5	CV	20	13				MAG	IP20
APL LTwo®T5	CV	20	13	280	927	BB	MAG	IP20
				560	930	WW		
				840	935			
				1120	940			
				1400	850			

### example order code

APL LTwo®T5 CV 12 13 280 927 BB MAG IP20

<b>OP</b> operating system	<b>CV</b> Constant Voltage
<b>NP</b> nominal power per m	<b>BB</b> black profile – black antiglare
<b>Optic</b> optics	<b>WW</b> white profile – white antiglare
<b>L</b> length	
<b>PC</b> photometric code	
<b>C</b> housing colour	<b>MAG</b> magnetic luminaire holder
<b>LH</b> luminaire holder	
<b>IP</b> protection class	

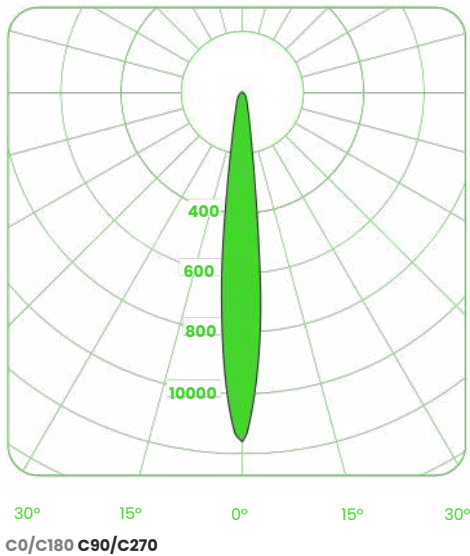
Photometric Code Example:  
927 (9 = CRI >90 | 27 = 2700K)

# LTwo® – 13° – spot constant voltage 48V – 20 W/m

White Black

CRI / CCT	Kelvin	280 mm 6,0 W	560 mm 11,9 W	840 mm 18,0 W	1120 mm 23,9 W	1400 mm 29,8 W	Lumen/Watt
927	2700K	535	1069	1604	2138	2673	<b>89,6</b>
		502	1003	1505	2006	2508	<b>84,1</b>
930	3000K	578	1157	1735	2313	2892	<b>97,0</b>
		543	1085	1628	2171	2713	<b>90,9</b>
935	3500K	551	1102	1652	2203	2754	<b>92,4</b>
		517	1034	1550	2067	2584	<b>86,7</b>
940	4000K	575	1150	1725	2300	2876	<b>96,4</b>
		540	1079	1619	2158	2698	<b>90,4</b>
850	5000K	691	1381	2072	2762	3453	<b>115,8</b>
		548	1296	1944	2592	3240	<b>108,6</b>

## light distribution



LTwo® black - 13°, 560mm

Mounting Method to be discussed upon order.  
 Custom solutions available.  
 Contact [sales@architecturalfx.co.uk](mailto:sales@architecturalfx.co.uk) for further information.