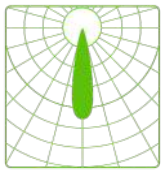


technical data sheet (Pendent version)

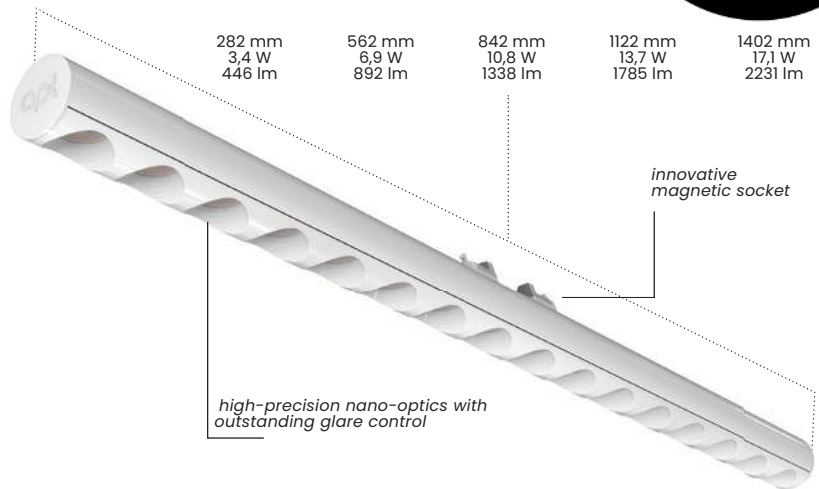
# LTwo<sup>®</sup> – 25° – narrow flood constant voltage 48V – 12 watt/m



Ø 16,4 mm



total height  
21,6 mm



282 mm  
3,4 W  
446 lm

562 mm  
6,9 W  
892 lm

842 mm  
10,8 W  
1338 lm

1122 mm  
13,7 W  
1785 lm

1402 mm  
17,1 W  
2231 lm

innovative  
magnetic socket

high-precision nano-optics with  
outstanding glare control

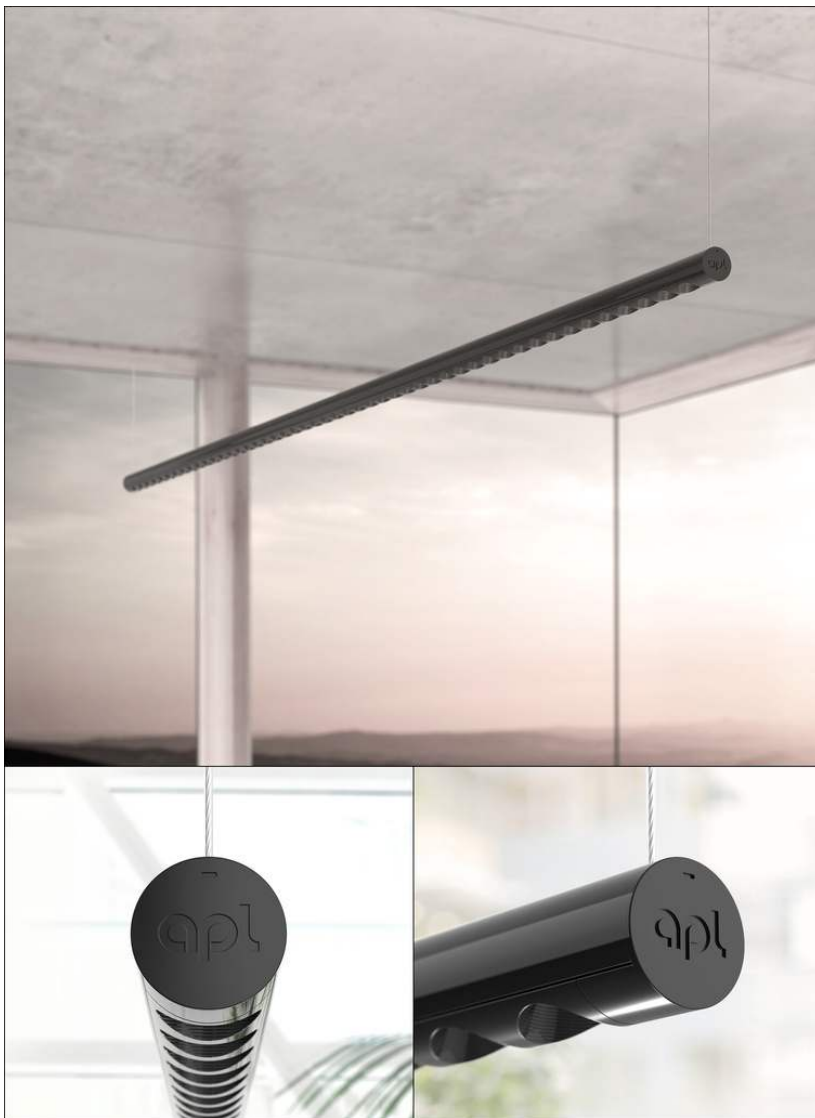


reddot winner 2023

## product description

LTwo<sup>®</sup> - Light Tube with Optics. High-precision 25° optics with max. 2,231 lumen, based on the modular, miniaturised LTwo<sup>®</sup> light source/luminaire system with 13 high-quality precision optics and extensive accessories, for all lighting applications. Coded socket, for safe operation of lamp luminaires with different operating currents in Constant Voltage or Constant Current. Very environmentally friendly due to minimal use of material (180g/m), interchangeability, recyclability and high efficiency (up to 180 lm/W).

- LTwo<sup>®</sup> 25° - narrow flood - Constant Voltage 48V - 12W/m with 16.4 mm diameter
- Available in black (RAL9005) and white (RAL9016)
- Lengths: 282 mm, 562 mm, 842 mm, 1122 mm, 1402 mm
- Watts: 3,4 W; 6,9 W; 10,8 W; 13,7 W; 17,1 W
- Lumen @5000K: 446 lm, 892 lm, 1,338 lm, 1,785 lm, 2,231 lm
- Optical efficiency: 78 % (BB), 83 % (WW)
- UGR of 7.2 / 5.1 (BB), 13.2 / 13.2 (WW) @1,000lm
- Ideal for accent lighting and highlighting individual objects and accentuating structures in architecture
- Optimally suited for buildings and material integration of all kinds
- Dimmable (PWM)



Please note: Pendent version does not use magnetic connection system. wiring is fed through suspension cables -30% lumen output from standard data

Attention: all following optical and electronic data have a tolerance of +/- 10%.

apl  
All Purpose Lighting  
Lahnstraße 30  
45478 Mülheim a. d. Ruhr

+49 / (0)208 20777400  
info@apl.ag  
apl.ag

Architectural FX  
Unit 16, The Business  
Center, Molly Millars Lane,  
Wokingham, RG41 2QY

+44(0)1344291536  
sales@architecturalfx.co.uk  
www.architecturalfx.co.uk

apl the ideal light



legend on the last page

## product features

### Dimensions

16,4 mm diameter

### Length (mm)

282 mm, 562 mm, 842 mm, 1122 mm, 1402 mm  
3,4W; 6,9W; 10,8W; 13,7W; 17,1W  
446 lm, 892 lm, 1338 lm, 1785 lm, 2231 lm

### Qty. LED

16 per 280 mm

### LED Pitch

17,5 mm

### CCT / CRI

2700K, 3000K, 3500K, 4000K (>90) 5000K (>80)

### Binning

3 SDCM

### Lifetime

60000h L80B10

### Protection

class IP20 (indoor use only!)

### Risk group

RG1

### Operating Mode

Constant Voltage (CV)

### Operating Voltage

48 V DC -2,0 / +1,75

### Housing temperature (Tc)

min. -20° / max. +65°

### Ambient temperature (Ta)

min. -20° / max. +45°

### Storage temperature (Ts)

min. -20° / max. 85°

## order code

Please enter code here:

Product	OP	NP	Optic	L	PC	C	LH	IP
APL LTwo®T5	CV	12	25				MAG	IP20
APL LTwo®T5	CV	12	25	280	927	BB	MAG	IP20
				560	930	WW		
				840	935			
				1120	940			
				1400	850			

### example order code

APL LTwo®T5 CV 12 13 280 927 BB MAG IP20

<b>OP</b> operating system	<b>CV</b> Constant Voltage
<b>NP</b> nominal power per m	<b>BB</b> black profile – black antiglare
<b>Optic</b> optics	<b>WW</b> white profile – white antiglare
<b>L</b> length	
<b>PC</b> photometric code	
<b>C</b> housing colour	<b>MAG</b> magnetic luminaire holder
<b>LH</b> luminaire holder	
<b>IP</b> protection class	

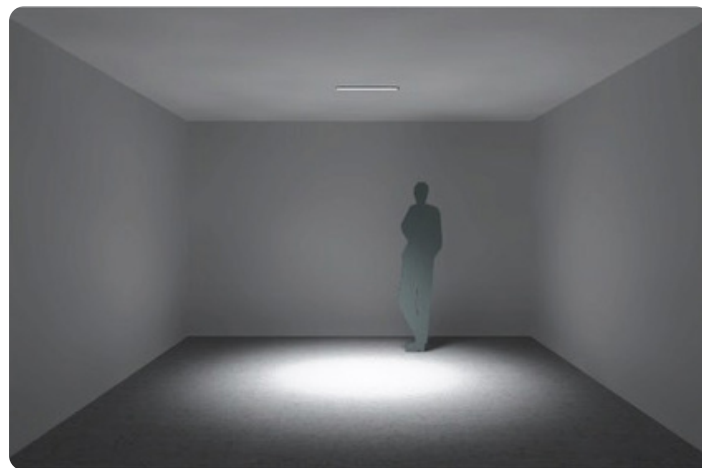
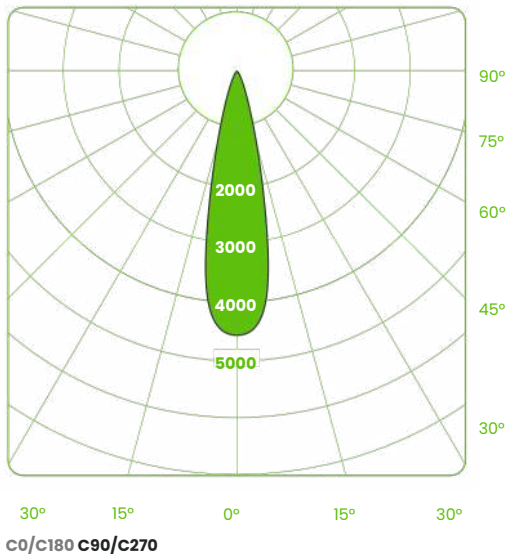
Photometric Code Example:  
927 (9 = CRI >90 | 27 = 2700K)

# LTwo® – 25° – narrow flood constant voltage 48V – 12 W/m

White Black

CRI / CCT	Kelvin	280 mm 3,4 W	560 mm 6,9 W	840 mm 10,8 W	1120 mm 13,7 W	1400 mm 17,1 W	Lumen/Watt
927	2700K	344	689	1033	1378	1722	<b>100,6</b>
		324	647	971	1295	1619	<b>94,5</b>
930	3000K	374	747	1121	1494	1868	<b>109,1</b>
		351	702	1053	1404	1755	<b>102,5</b>
935	3500K	355	710	1064	1419	1774	<b>103,6</b>
		333	667	1000	1334	1667	<b>97,4</b>
940	4000K	374	747	1121	1494	1868	<b>109,1</b>
		351	702	1053	1404	1755	<b>102,5</b>
850	5000K	446	892	1338	1785	2231	<b>130,3</b>
		419	839	1258	1677	2096	<b>122,4</b>

## light distribution



LTwo® black - 25°, 560mm

Mounting Method to be discussed upon order.  
 Custom solutions available.  
 Contact [sales@architecturalfx.co.uk](mailto:sales@architecturalfx.co.uk) for further information.