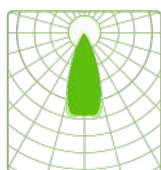


technical data sheet (Pendent Version)

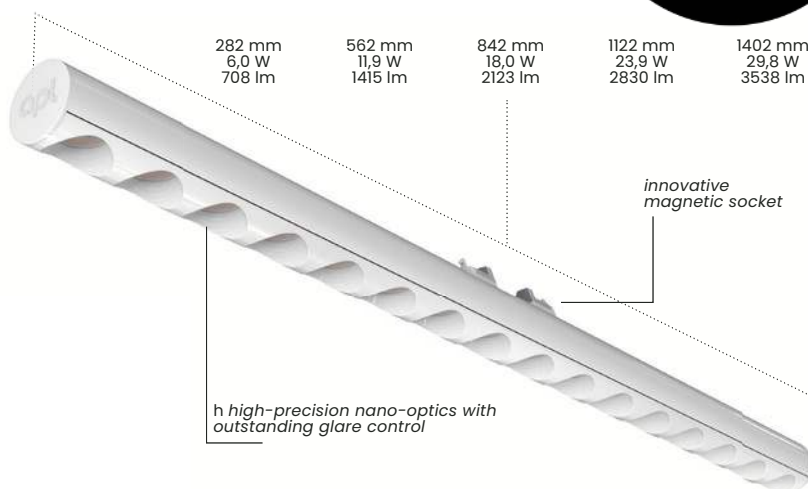
# LTwo<sup>®</sup> – 40° – flood constant voltage 48V – 20 watt/m



Ø 16,4 mm



total height  
21,6 mm



reddot winner 2023



## product description

LTwo<sup>®</sup> - Light Tube with Optics. High-precision 40° optics with max. 3,538 lumen, based on the modular, miniaturised LTwo<sup>®</sup> light source/luminaire system with 13 high-quality precision optics and extensive accessories, for all lighting applications. Coded socket, for safe operation of lamp luminaires with different operating currents in Constant Voltage or Constant Current. Very environmentally friendly due to minimal use of material (180g/m), interchangeability, recyclability and high efficiency (up to 180 lm/W).

- LTwo<sup>®</sup> 40° - flood - Constant Voltage 48V - 20W/m with 16.4 mm diameter
- Available in black (RAL9005) and white (RAL9016)
- Lengths: 282 mm, 562 mm, 842 mm, 1122 mm, 1402 mm
- Watts: 6,0 W; 11,9 W; 18,0 W; 23,9 W; 29,8 W
- Lumen @5000K: 708 lm, 1,415 lm, 2,123 lm, 2,830 lm, 3,538 lm
- Optical efficiency: 75 % (BB), 83 % (WW)
- UGR of 11.2 / 10.9 (BB), 15.5 / 15.7 (WW) @1,000lm
- Ideal for accent lighting and highlighting individual objects
- Optimally suited for buildings and material integration of all kinds
- Dimmable (PWM)

Please note: Pendent version does not use magnetic connection system. wiring is fed through suspension cables -30% lumen output from standard data

Attention: all following optical and electronic data have a tolerance of +/- 10%.

apl  
All Purpose Lighting  
Lahnstraße 30  
45478 Mülheim a. d. Ruhr

+49 / (0)208 20777400  
info@apl.ag  
apl.ag

Architectural FX  
Unit 16, The Business  
Center, Molly Millars Lane,  
Wokingham, RG41 2QY

+44(0)1344291536  
sales@architecturalfx.co.uk  
www.architecturalfx.co.uk

apl the ideal light



legend on the last page

## product features

### Dimensions

16,4 mm diameter

### Length (mm)

282 mm, 562 mm, 842 mm, 1122 mm, 1402 mm  
6,0W; 11,9W; 18,0W; 23,9W; 29,8W  
708 lm, 1415 lm, 2123 lm, 2830 lm, 3538 lm

### Qty. LED

16 per 280 mm

### LED Pitch

17,5 mm

### CCT / CRI

2700K, 3000K, 3500K, 4000K (>90) 5000K (>80)

### Binning

3 SDCM

### Lifetime

60000h L80B10

### Protection

class IP20 (indoor use only!)

### Risk group

RG1

### Operating Mode

Constant Voltage (CV)

### Operating Voltage

48 V DC -2,0 / +1,75

### Housing temperature (Tc)

min. -20° / max. +65°

### Ambient temperature (Ta)

min. -20° / max. +45°

### Storage temperature (Ts)

min. -20° / max. 85°

## order code

Please enter code here:

Product	OP	NP	Optic	L	PC	C	LH	IP
APL LTwo®T5	CV	20	40				MAG	IP20
APL LTwo®T5	CV	20	40	280	927	BB	MAG	IP20
				560	930	WW		
				840	935			
				1120	940			
				1400	850			

### example order code

APL LTwo®T5 CV 12 13 280 927 BB MAG IP20

<b>OP</b> operating system	<b>CV</b> Constant Voltage
<b>NP</b> nominal power per m	<b>BB</b> black profile – black antiglare
<b>Optic</b> optics	<b>WW</b> white profile – white antiglare
<b>L</b> length	
<b>PC</b> photometric code	
<b>C</b> housing colour	<b>MAG</b> magnetic luminaire holder
<b>LH</b> luminaire holder	
<b>IP</b> protection class	

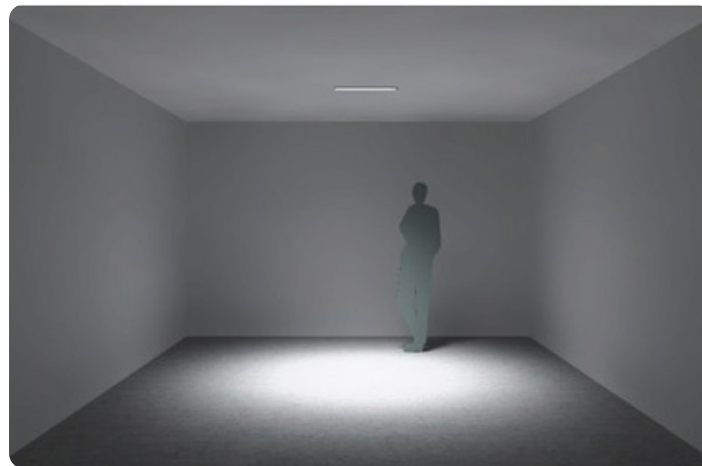
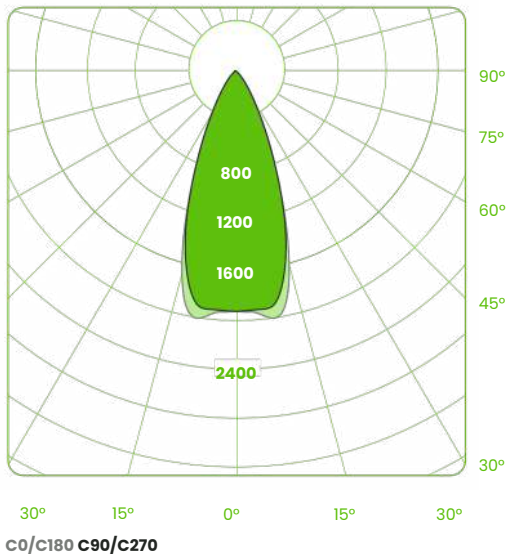
Photometric Code Example:  
927 (9 = CRI >90 | 27 = 2700K)

# LTwo® – 40° – flood constant voltage 48V – 20 W/m

White Black

CRI / CCT	Kelvin	280 mm 6,0 W	560 mm 11,9 W	840 mm 17,9 W	1120 mm 23,9 W	1400 mm 29,8 W	Lumen/Watt
927	2700K	548	1096	1643	2191	2739	91,8
		495	990	1485	1980	2475	83,0
930	3000K	593	1185	1778	2370	2963	99,3
		536	1071	1607	2142	2678	89,8
935	3500K	564	1129	1693	2258	2822	94,6
		510	1020	1530	2040	2550	85,5
940	4000K	589	1179	1768	2357	2947	98,8
		533	1065	1598	2130	2663	89,3
850	5000K	708	1415	2123	2830	3538	118,6
		639	1279	1918	2558	3197	107,2

## light distribution



LTwo® black - 40°, 560mm

Mounting Method to be discussed upon order.  
 Custom solutions available.  
 Contact [sales@architecturalfx.co.uk](mailto:sales@architecturalfx.co.uk) for further information.