

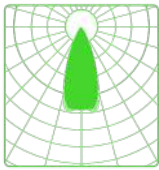
technical data sheet (IP67 Version)

LTwo® – 40° – flood

constant current @600mA – 25 Watt/m



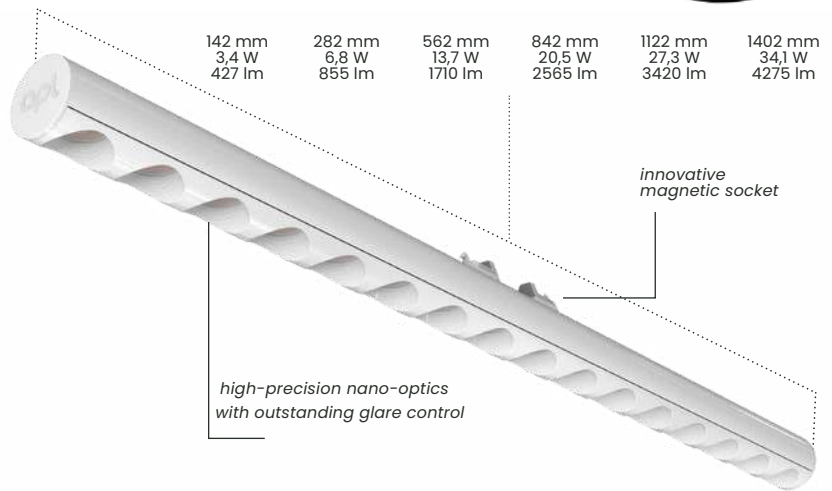
1/7



Ø 16,4 mm



total height
21,6 mm



142 mm	282 mm	562 mm	842 mm	1122 mm	1402 mm
3,4 W	6,8 W	13,7 W	20,5 W	27,3 W	34,1 W
427 lm	855 lm	1710 lm	2565 lm	3420 lm	4275 lm

innovative
magnetic socket

high-precision nano-optics
with outstanding glare control



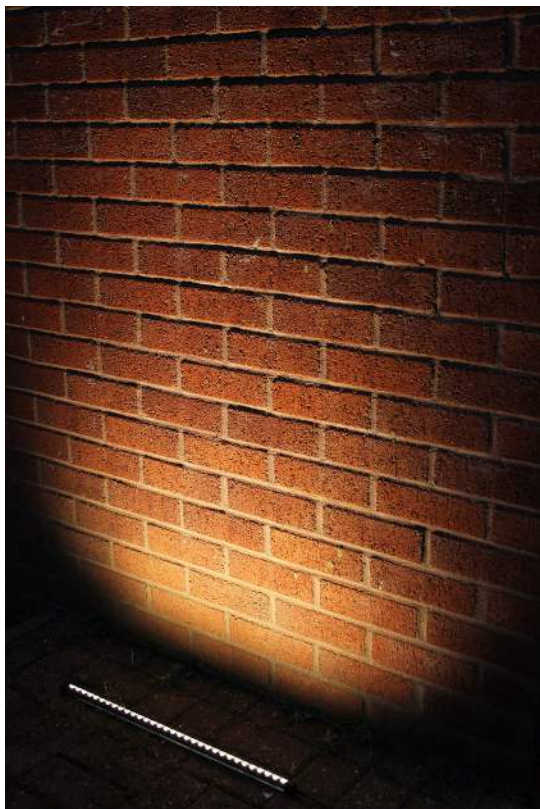
reddot winner 2023



product description

LTwo® - Light Tube with Optics. High-precision 40° optics with max. 4,275 lumen, based on the modular, miniaturised LTwo® light source/luminaire system with 13 high-quality precision optics and extensive accessories, for all lighting applications. Coded socket, for safe operation of lamp luminaires with different operating currents in Constant Voltage or Constant Current. Very environmentally friendly due to minimal use of material (180g/m), interchangeability, recyclability and high efficiency (up to 180 lm/W).

- LTwo® 40° - flood - Constant Current @600mA - 25 W/m with 16.4 mm diameter
- Available in black (RAL9005) and white (RAL9016)
- Lengths: 142 mm, 282 mm, 562 mm, 842 mm, 1122 mm and 1402 mm
- Watts: 3.4 W; 6.8 W; 13.7 W; 20.5 W; 27.3 W; 34.1 W
- Lumen @5000K: 427 lm, 855 lm, 1,710 lm, 2,565 lm, 3,420 lm, 4,275 lm
- Optical efficiency: 75 % (BB), 83 % (WW)
- UGR of 11.1 / 11.1 (BB), 15.2 / 15.8 (WW) @1,000 lm
- Ideal for accent lighting and highlighting individual objects
- Optimally suited for buildings and material integration of all kinds
- Dimmable (linear)



Attention: the image above is the WallWasher fixture.

Please note: IP67 version does not use magnetic connection system Connection from one end only (Parallel wiring only) -30% lumen output from standard data

Attention: all following optical and electronic data have a tolerance of +/- 10%.

apl
All Purpose Lighting
Lahnstraße 30
45478 Mülheim a. d. Ruhr

+49 / (0)208 2077400
info@apl.ag
apl.ag

Architectural FX
Unit 16, The Business
Center, Molly Millars Lane,
Wokingham, RG41 2QY

+44(0)1344291536
sales@architecturalfx.co.uk
www.architecturalfx.co.uk

apl the ideal light



legend on the last page

product features

Dimensions

16,4 mm diameter

Length (mm)

142 mm, 282 mm, 562 mm, 842 mm, 1122 mm, 1402 mm
3,4W; 6,8W; 13,7W; 20,5W; 27,3W; 34,1W
427 lm, 855 lm, 1710 lm, 2565 lm, 3420 lm, 4275 lm

Qty. LED

16 per 280 mm

LED Pitch

17,5 mm

CCT / CRI

2700K, 3000K, 3500K, 4000K (>90), 5000K (>80)

Binning

3 SDCM

Lifetime

60000h L80B10

Protection

class IP20 (indoor use only!)

Risk group

RG1

Operating Mode

Constant Current (CC)

Operating Voltage

</=600mA

Housing temperature (Tc)

min. -20° / max. +70°

Ambient temperature (Ta)

min. -20° / max. +35°

Storage temperature (Ts)

min. -20° / max. 85°

order code

Please enter code here:

Product	OP	NP	Optic	L	PC	C	LH	IP
APL LTwo®T5	CC	25	40				MAG	IP20
APL LTwo®T5	CC	25	40	140	927	BB	MAG	IP20
				280	930	WW		
				560	935			
				840	940			
				1120	850			
				1400				

example order code

APL LTwo®T5 CV 12 13 280 927 BB MAG IP20

OP operating system	CV Constant Voltage
NP nominal power per m	BB black profile – black antiglare
Optic optics	WW white profile – white antiglare
L length	
PC photometric code	
C housing colour	MAG magnetic luminaire holder
LH luminaire holder	
IP protection class	

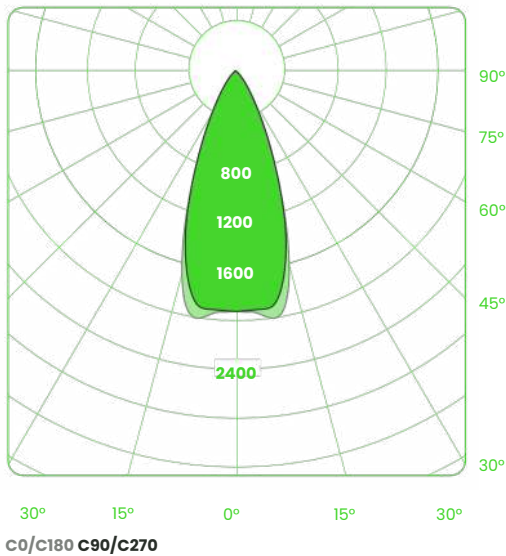
Photometric Code Example:
927 (9 = CRI >90 | 27 = 2700K)

LTwo® – 40° – flood constant current - @600mA - 25 W/m

White Black

CRI/CCT	Kelvin	140 mm 3,4 W	280 mm 6,8 W	560 mm 13,7 W	840 mm 20,5 W	1120 mm 27,3 W	1400 mm 34,1 W	Effizienz lm/W
927	2700K	331	662	1324	1986	2648	3310	97,0
		299	598	1196	1794	2393	2991	87,6
930	3000K	356	712	1423	2135	2847	3559	104,3
		322	643	1286	1929	2573	3216	94,2
935	3500K	340	681	1361	2042	2722	3403	99,7
		308	615	1230	1845	2460	3075	90,1
940	4000K	356	712	1423	2135	2847	3559	104,3
		322	643	1286	1929	2573	3216	94,2
850	5000K	427	855	1710	2565	3420	4275	125,3
		386	773	1545	2318	3090	3863	113,2
Typ. Vf (V) – 600 mA		6,22	11,99	23,54	35,21	46,78	46,30	

light distribution



LTwo® schwarz / black – 40°, 560mm

Mounting Method to be discussed upon order.
 Custom solutions available.
 Contact sales@architecturalfx.co.uk for further information.