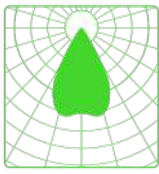


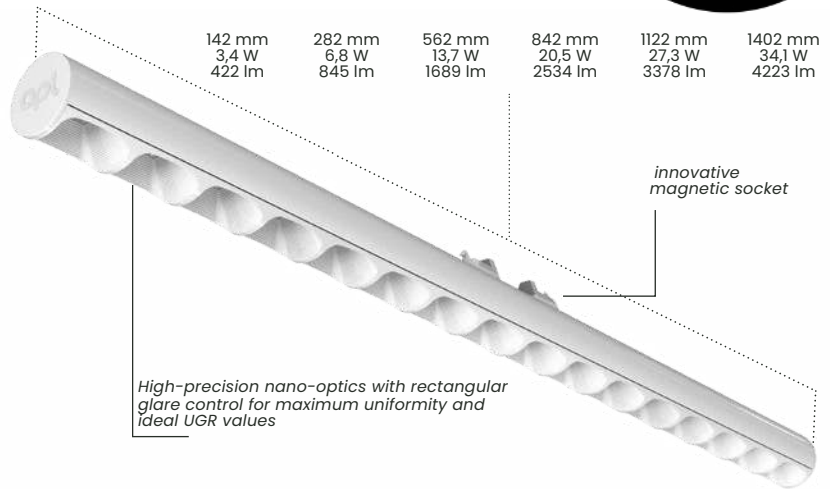
# LTwo® – 60° – wide flood constant current @600mA – 25 Watt/m



Ø 16,4 mm



total height  
21,6 mm



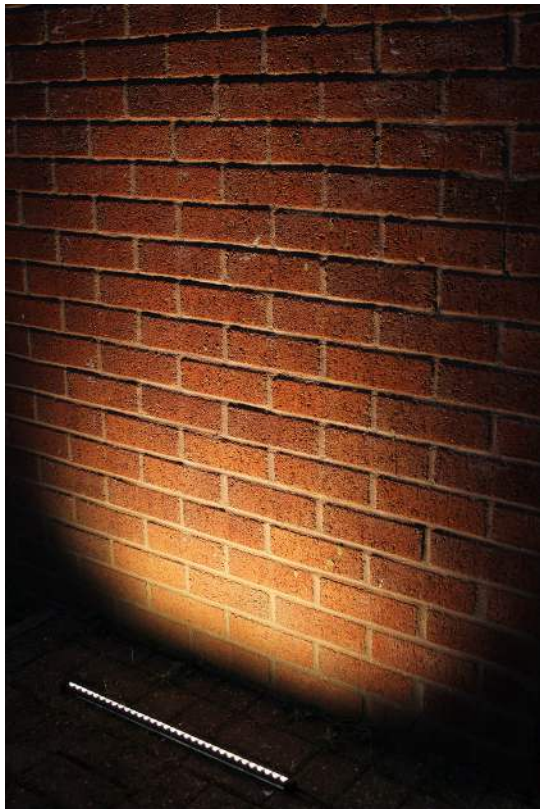
reddot winner 2023



## product description

LTwo® - Light Tube with Optics. High-precision 60° optics with rectangular glare control and max. 4,223 lumen, based on the modular, miniaturised LTwo® light source/luminaire system with 13 high-quality precision optics and extensive accessories, for all lighting applications. Coded socket, for safe operation of lamp luminaires with different operating currents in Constant Voltage or Constant Current. Very environmentally friendly due to minimal use of material (180g/m), interchangeability, recyclability and high efficiency (up to 180 lm/W).

- LTwo® 60° - wide flood - Constant Current @600mA - 25 W/m with 16.4 mm diameter
- Optical efficiency: 75 % (BB), 82 % (WW)
- UGR of 15.0 / 16.6 (BB), 16.2 / 17.2 (WW) @1,000 lm
- Ideal for ambient lighting, e.g. in the office lighting sector •DIN EN 12464-1 compliant
- Optimally suited for buildings and material integration of all kinds
- Available in black (RAL9005) and white (RAL9016)
- Lengths: 142 mm, 282 mm, 562 mm, 842 mm, 1122 mm and 1402 mm
- Watts: 3.4 W; 6.8 W; 13.7 W; 20.5 W; 27.3 W; 34.1 W
- Lumen @5000K: 422 lm, 845 lm, 1,689 lm, 2,534 lm, 3,378 lm, 4,223 lm
- Dimmable (linear)



**Attention:** the image above is the WallWasher fixture.

**Please note:** IP67 version does not use magnetic connection system Connection from one end only (Parallel wiring only) -30% lumen output from standard data

**Attention:** all following optical and electronic data have a tolerance of +/- 10%.



legend on the last page

## product features

### Dimensions

16,4 mm diameter

### Length (mm)

142 mm, 282 mm, 562 mm, 842 mm, 1122 mm, 1402 mm  
3,4W; 6,8W; 13,7W; 20,5W; 27,3W; 34,1W  
422 lm, 845 lm, 1689 lm, 2534 lm, 3378 lm, 4223 lm

### Qty. LED

16 per 280 mm

### LED Pitch

17,5 mm

### CCT / CRI

2700K, 3000K, 3500K, 4000K (>90), 5000K (>80)

### Binning

3 SDCM

### Lifetime

60000h L80B10

### Protection

class IP20 (indoor use only!)

### Risk group

RG1

### Operating Mode

Constant Current (CC)

### Operating Voltage

</=600mA

### Housing temperature (Tc)

min. -20° / max. +70°

### Ambient temperature (Ta)

min. -20° / max. +35°

### Storage temperature (Ts)

min. -20° / max. 85°

## order code

Please enter code here:

Product	OP	NP	Optic	L	PC	C	LH	IP
APL LTwo®T5	CC	25	60				MAG	IP20
APL LTwo®T5	CC	25	60	140	927	BB	MAG	IP20
				280	930	WW		
				560	935			
				840	940			
				1120	850			
				1400				

### example order code

APL LTwo®T5 CV 12 13 280 927 BB MAG IP20

<b>OP</b> operating system	<b>CV</b> Constant Voltage
<b>NP</b> nominal power per m	<b>BB</b> black profile – black antiglare
<b>Optic</b> optics	<b>WW</b> white profile – white antiglare
<b>L</b> length	
<b>PC</b> photometric code	
<b>C</b> housing colour	<b>MAG</b> magnetic luminaire holder
<b>LH</b> luminaire holder	
<b>IP</b> protection class	

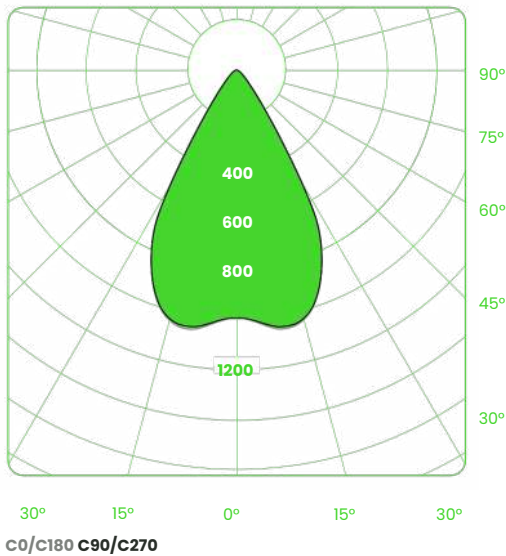
Photometric Code Example:  
927 (9 = CRI >90 | 27 = 2700K)

# LTwo® – 60° – wide flood constant current – @600mA – 25 W/m

White Black

CRI / CCT	Kelvin	140 mm 3,4 W	280 mm 6,8 W	560 mm 13,7 W	840 mm 20,5 W	1120 mm 27,3 W	1400 mm 34,1 W	Effizienz lm/W
927	2700K	327	654	1308	1962	2616	3270	<b>95,8</b>
		299	598	1196	1794	2393	2991	<b>87,6</b>
930	3000K	352	703	1406	2109	2813	3516	<b>103,0</b>
		322	643	1286	1929	2573	3216	<b>94,2</b>
935	3500K	336	672	1345	2017	2690	3362	<b>98,5</b>
		308	615	1230	1845	2460	3075	<b>90,1</b>
940	4000K	352	703	1406	2109	2813	3516	<b>103,0</b>
		322	643	1286	1929	2573	3216	<b>94,2</b>
850	5000K	422	845	1689	2534	3378	4223	<b>123,8</b>
		386	773	1545	2318	3090	3863	<b>113,2</b>
Typ. Vf (V) – 600 mA		<b>6,22</b>	<b>11,99</b>	<b>23,54</b>	<b>35,21</b>	<b>46,78</b>	<b>46,30</b>	

## light distribution



LTwo® black – 60°, 560mm

Mounting Method to be discussed upon order.  
 Custom solutions available.  
 Contact [sales@architecturalfx.co.uk](mailto:sales@architecturalfx.co.uk) for further information.