

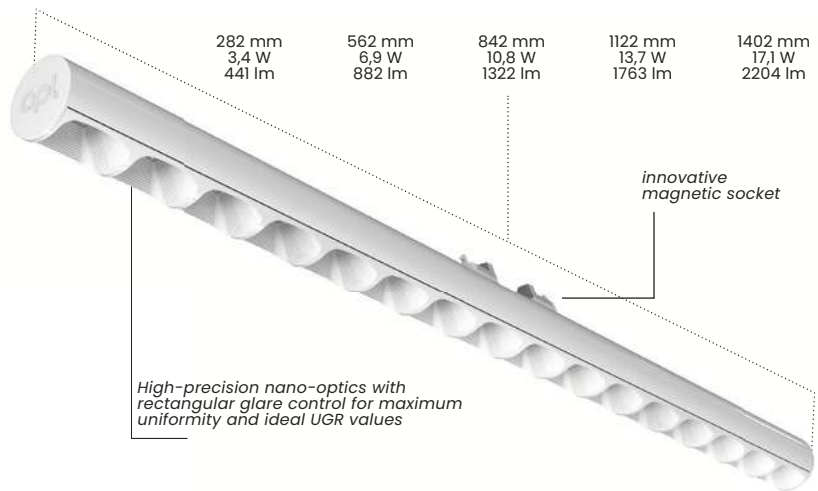
LTwo® – 60° – wide flood constant voltage 48V – 12 watt/m



Ø 16,4 mm



Gesamthöhe
total height
21,6 mm



reddot winner 2023

product description

LTwo® - Light Tube with Optics. High-precision 60° optics with rectangular glare control and max. 2,204 lumen, based on the modular, miniaturised LTwo® light source/luminaire system with 13 high-quality precision optics and extensive accessories, for all lighting applications. Coded socket, for safe operation of lamp luminaires with different operating currents in Constant Voltage or Constant Current. Very environmentally friendly due to minimal use of material (180g/m), interchangeability, recyclability and high efficiency (up to 180 lm/W).

- LTwo® 60° - wide flood - Constant Voltage 48V - 12W/m with 16.4 mm diameter
- Available in black (RAL9005) and white (RAL9016)
- Lengths: 282 mm, 562 mm, 842 mm, 1122 mm, 1402 mm
- Watts: 3,4 W; 6,9 W; 10,8 W; 13,7 W; 17,1 W
- Lumen @5000K: 441 lm, 882 lm, 1,322 lm, 1,763 lm, 2,204 lm
- Optical efficiency: 75 % (BB), 82 % (WW)
- UGR of 14.2 / 15.7 (BB), 15.2 / 16.3 (WW) @1,000lm
- Ideal for ambient lighting, e.g. in the office lighting sector
- DIN EN 12464-1 conform
- Optimally suited for buildings and material integration of all kinds
- Dimmable (PWM)



Attention: the image above is the WallWasher fixture.

Please note: IP67 version does not use magnetic connection system Connection from one end only (Parallel wiring only) -30% lumen output from standard data

Attention: all following optical and electronic data have a tolerance of +/- 10%.



legend on the last page

product features

Dimensions

16,4 mm diameter

Length (mm)

282 mm, 562 mm, 842 mm, 1122 mm, 1402 mm
3,4W; 6,9W; 10,8W; 13,7W; 17,1W
441 lm, 882 lm, 1322 lm, 1763 lm, 2204 lm

Qty. LED

16 per 280 mm

LED Pitch

17,5 mm

CCT / CRI

2700K, 3000K, 3500K, 4000K (>90) 5000K (>80)

Binning

3 SDCM

Lifetime

60000h L80B10

Protection

class IP20 (indoor use only!)

Risk group

RG1

Operating Mode

Constant Voltage (CV)

Operating Voltage

48 V DC -2,0 / +1,75

Housing temperature (Tc)

min. -20° / max. +65°

Ambient temperature (Ta)

min. -20° / max. +45°

Storage temperature (Ts)

min. -20° / max. 85°

order code

Please enter code here:

Product	OP	NP	Optic	L	PC	C	LH	IP
APL LTwo®T5	CV	12	60				MAG	IP20
APL LTwo®T5	CV	12	60	280	927	BB	MAG	IP20
				560	930	WW		
				840	935			
				1120	940			
				1400	850			

example order code

APL LTwo®T5 CV 12 13 280 927 BB MAG IP20

OP operating system	CV Constant Voltage
NP nominal power per m	BB black profile – black antiglare
Optic optics	WW white profile – white antiglare
L length	
PC photometric code	
C housing colour	MAG magnetic luminaire holder
LH luminaire holder	
IP protection class	

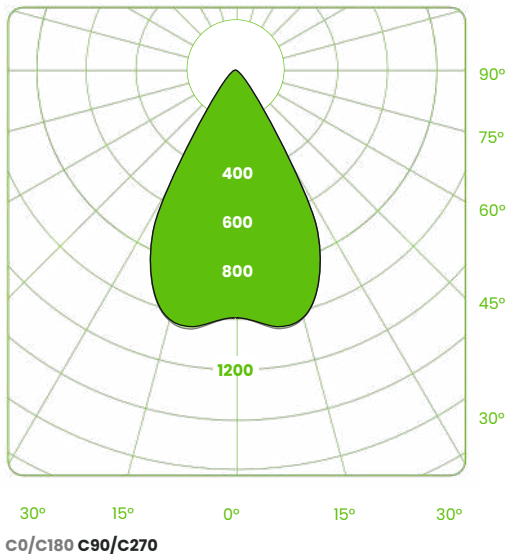
Photometric Code Example:
927 (9 = CRI >90 | 27 = 2700K)

LTwo® – 60° – wide flood constant voltage 48V – 12 W/m

White Black

CRI / CCT	Kelvin	280 mm 3,4 W	560 mm 6,9 W	840 mm 10,8 W	1120 mm 13,7 W	1400 mm 17,1 W	Lumen/Watt
927	2700K	340	681	1021	1361	1702	99,4
		311	623	934	1245	1556	90,9
930	3000K	369	738	1107	1476	1845	107,7
		338	675	1013	1350	1688	98,5
935	3500K	351	701	1052	1402	1753	102,4
		321	641	962	1283	1603	93,6
940	4000K	369	738	1107	1476	1845	107,7
		338	675	1013	1350	1688	98,5
850	5000K	441	882	1322	1763	2204	128,7
		403	806	1209	1613	2016	117,7

light distribution



LTwo® black - 60°, 560mm

Mounting Method to be discussed upon order.
Custom solutions available.
Contact sales@architecturalfx.co.uk for further information.