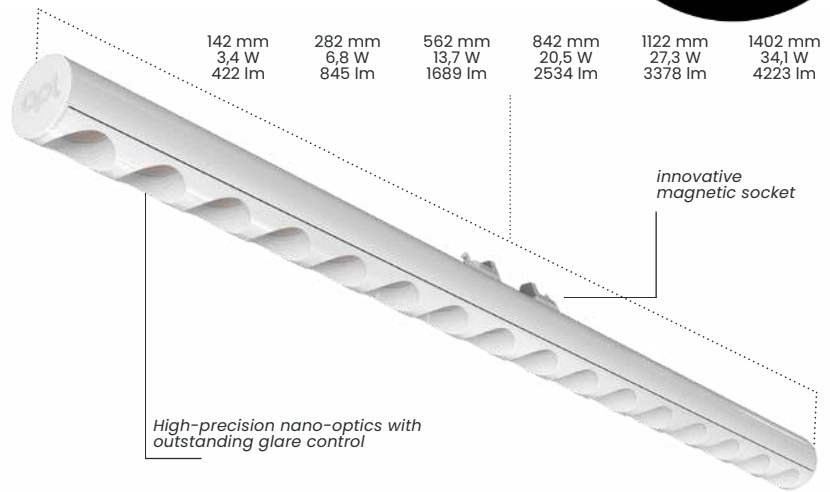
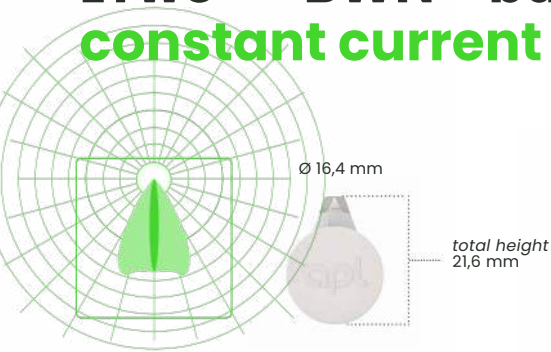


technical data sheet (IP67 Version)

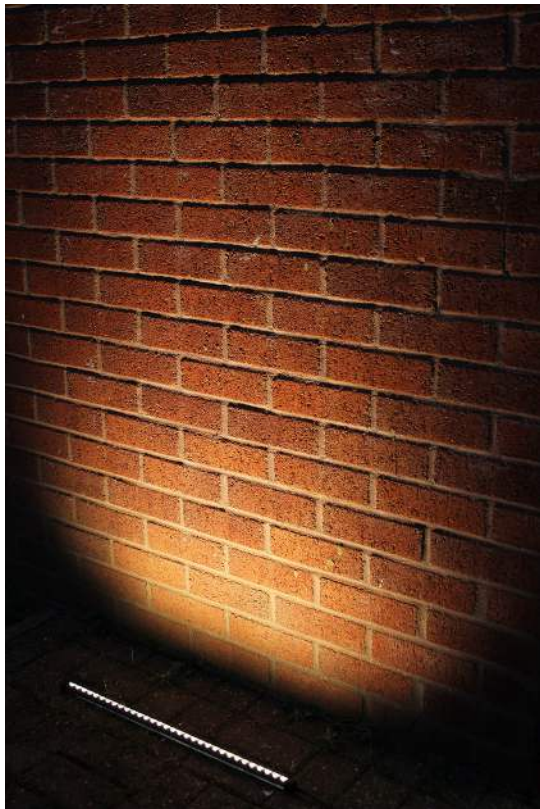
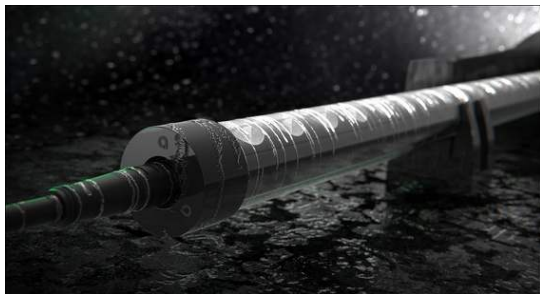
LTwo® – BWN – batwing narrow (linear) constant current @600mA – 25 Watt/m



1/7



reddot winner 2023



product description

LTwo® - Light Tube with Optics. High-precision Batwing narrow (BWN) optics with max. 4,223 lumen, based on the modular, miniaturised LTwo® light source/luminaire system with 13 high-quality precision optics and extensive accessories, for all lighting applications. Coded socket, for safe operation of lamp luminaires with different operating currents in Constant Voltage or Constant Current. Very environmentally friendly due to minimal use of material (180g/m), interchangeability, recyclability and high efficiency (up to 180 lm/W).

- LTwo® BWN - Batwing narrow (linear) - Constant Current @600mA - 25 W/m with 16.4 mm diameter
- Available in black (RAL9005) and white (RAL9016)
- Lengths: 142 mm, 282 mm, 562 mm, 842 mm, 1122 mm and 1402 mm
- Watts: 3.4 W; 6.8 W; 13.7 W; 20.5 W; 27.3 W; 34.1 W
- Lumen @5000K: 422 lm, 845 lm, 1,689 lm, 2,534 lm, 3,378 lm, 4,223 lm
- Optical efficiency: 71 % (BB), 82 % (WW)
- UGR of 19.6 / 6.4 (BB), 20.3 / 15.9 (WW) @1,000 lm
- Ideal for asymmetrical lighting tasks, e.g. corridor and pathway lighting
- Optimally suited for buildings and material integration of all kinds
- Dimmable (linear)



Attention: the image above is the WallWasher fixture.

Please note: IP67 version does not use magnetic connection system Connection from one end only (Parallel wiring only) -30% lumen output from standard data

Attention: all following optical and electronic data have a tolerance of +/- 10%.

apl
All Purpose Lighting
Lahnstraße 30
45478 Mülheim a. d. Ruhr

+49 / (0)208 20777400
info@apl.ag
apl.ag

Architectural FX
Unit 16, The Business
Center, Molly Millars Lane,
Wokingham, RG41 2QY

+44(0)1344291536
sales@architecturalfx.co.uk
www.architecturalfx.co.uk

apl the ideal light



legend on the last page

product features

Dimensions

16,4 mm diameter

Length (mm)

142 mm, 282 mm, 562 mm, 842 mm, 1122 mm, 1402 mm
3,4W; 6,8W; 13,7W; 20,5W; 27,3W; 34,1W
422 lm, 845 lm, 1689 lm, 2534 lm, 3378 lm, 4223 lm

Qty. LED

16 per 280 mm

LED Pitch

17,5 mm

CCT / CRI

2700K, 3000K, 3500K, 4000K (>90), 5000K (>80)

Binning

3 SDCM

Lifetime

60000h L80B10

Protection

class IP20 (indoor use only!)

Risk group

RG1

Operating Mode

Constant Current (CC)

Operating Voltage

</=600mA

Housing temperature (Tc)

min. -20° / max. +70°

Ambient temperature (Ta)

min. -20° / max. +35°

Storage temperature (Ts)

min. -20° / max. 85°

order code

Please enter code here:

Product	OP	NP	Optic	L	PC	C	LH	IP
APL LTwo®T5	CC	25	BWN				MAG	IP20
APL LTwo®T5	CC	25	BWN	140	927	BB	MAG	IP20
				280	930	WW		
				560	935			
				840	940			
				1120	850			
				1400				

example order code

APL LTwo®T5 CV 12 13 280 927 BB MAG IP20

OP operating system	CV Constant Voltage
NP nominal power per m	BB black profile – black antiglare
Optic optics	WW white profile – white antiglare
L length	
PC photometric code	
C housing colour	MAG magnetic luminaire holder
LH luminaire holder	
IP protection class	

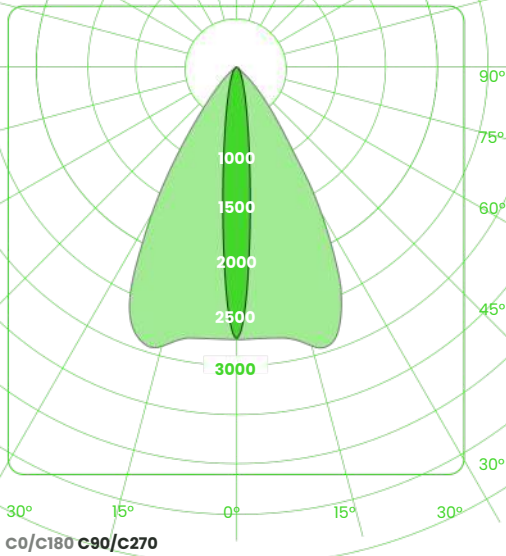
Photometric Code Example:
927 (9 = CRI >90 | 27 = 2700K)

LTwo® – batwing narrow – constant current – @600mA – 25 W/m

White Black

CRI/CCT	Kelvin	140 mm 3,4 W	280 mm 6,8 W	560 mm 13,7 W	840 mm 20,5 W	1120 mm 27,3 W	1400 mm 34,1 W	Effizienz lm/W
927	2700K	327	654	1308	1962	2616	3270	95,8
		283	566	1132	1699	2265	2831	83,0
930	3000K	352	703	1406	2109	2813	3516	103,0
		304	609	1218	1826	2435	3044	89,2
935	3500K	336	672	1345	2017	2690	3362	98,5
		291	582	1164	1747	2329	2911	85,3
940	4000K	352	703	1406	2109	2813	3516	103,0
		304	609	1218	1826	2435	3044	89,2
850	5000K	422	845	1689	2534	3374	4223	123,8
		366	731	1463	2194	2925	3657	107,2
Typ. Vf (V) – 600 mA		6,22	11,99	23,54	35,21	46,78	46,30	

light distribution



LTwo® black – Batwing narrow, 560mm

Mounting Method to be discussed upon order.

Custom solutions available.

Contact sales@architecturalfx.co.uk for further information.