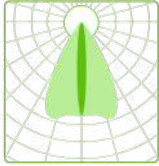


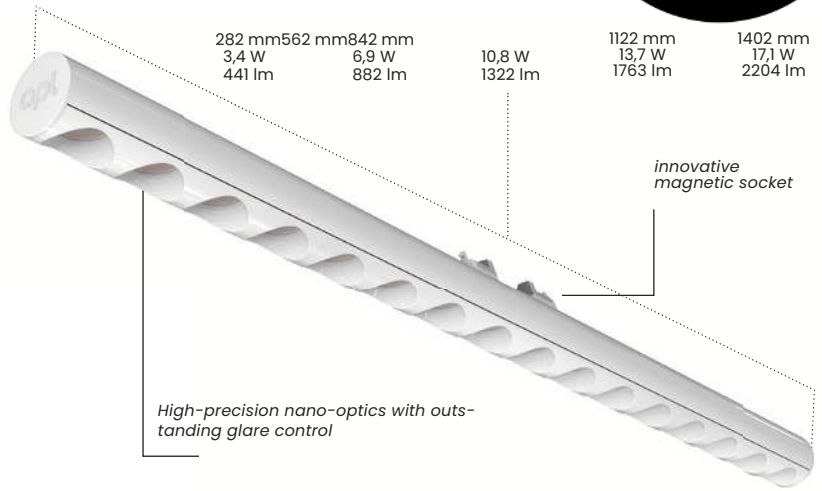
# LTwo® – BWN – batwing narrow (linear) constant voltage 48V – 12 watt/m



Ø 16,4 mm



total height  
21,6 mm



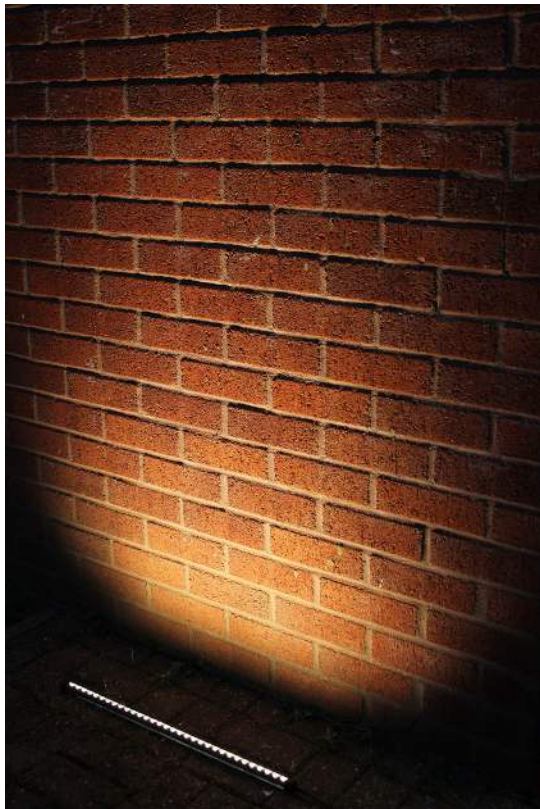
reddot winner 2023



## product description

LTwo® – Light Tube with Optics. High-precision Batwing narrow (BWN) optics with max. 2,204 lumen, based on the modular, miniaturised LTwo® light source/luminaire system with 13 high-quality precision optics and extensive accessories, for all lighting applications. Coded socket, for safe operation of lamp luminaires with different operating currents in Constant Voltage or Constant Current. Very environmentally friendly due to minimal use of material (180g/m), interchangeability, recyclability and high efficiency (up to 180 lm/W).

- LTwo® BWN – Batwing narrow (linear) – Constant Voltage 48V – 12W/m with 16.4 mm diameter
- Available in black (RAL9005) and white (RAL9016)
- Lengths: 282 mm, 562 mm, 842 mm, 1122 mm, 1402 mm
- Watts: 3,4 W; 6,9 W; 10,8 W; 13,7 W; 17,1 W
- Lumen @5000K: 441 lm, 882 lm, 1,322 lm, 1,763 lm, 2,204 lm
- Optical efficiency: 71 % (BB), 82 % (WW)
- UGR of 19.7 / 6.3 (BB), 20.5 / 15.9 (WW) @750lm
- Ideal for asymmetrical lighting tasks, e.g. corridor and pathway lighting
- Optimally suited for buildings and material integration of all kinds
- Dimmable (PWM)



**Attention:** the image above is the WallWasher fixture.

**Please note:** IP67 version does not use magnetic connection system Connection from one end only (Parallel wiring only) -30% lumen output from standard data

**Attention:** all following optical and electronic data have a tolerance of +/- 10%.



legend on the last page

## product features

### Dimensions

16,4 mm diameter

### Length (mm)

282 mm, 562 mm, 842 mm, 1122 mm, 1402 mm  
3,4W; 6,9W; 10,8W; 13,7W; 17,1W  
441 lm, 882 lm, 1322 lm, 1763 lm, 2204 lm

### Qty. LED

16 per 280 mm

### LED Pitch

17,5 mm

### CCT / CRI

2700K, 3000K, 3500K, 4000K (>90) 5000K (>80)

### Binning

3 SDCM

### Lifetime

60000h L80B10

### Protection

class IP20 (indoor use only!)

### Risk group

RG1

### Operating Mode

Constant Voltage (CV)

### Operating Voltage

48 V DC -2,0 / +1,75

### Housing temperature (Tc)

min. -20° / max. +65°

### Ambient temperature (Ta)

min. -20° / max. +45°

### Storage temperature (Ts)

min. -20° / max. 85°

## order code

Please enter code here:

Product	OP	NP	Optic	L	PC	C	LH	IP
APL LTwo®T5	CV	12	BWN				MAG	IP20
APL LTwo®T5	CV	12	BWN	280	927	BB	MAG	IP20
				560	930	WW		
				840	935			
				1120	940			
				1400	850			

### example order code

APL LTwo®T5 CV 12 13 280 927 BB MAG IP20

<b>OP</b> operating system	<b>CV</b> Constant Voltage
<b>NP</b> nominal power per m	<b>BB</b> black profile – black antiglare
<b>Optic</b> optics	<b>WW</b> white profile – white antiglare
<b>L</b> length	
<b>PC</b> photometric code	
<b>C</b> housing colour	<b>MAG</b> magnetic luminaire holder
<b>LH</b> luminaire holder	
<b>IP</b> protection class	

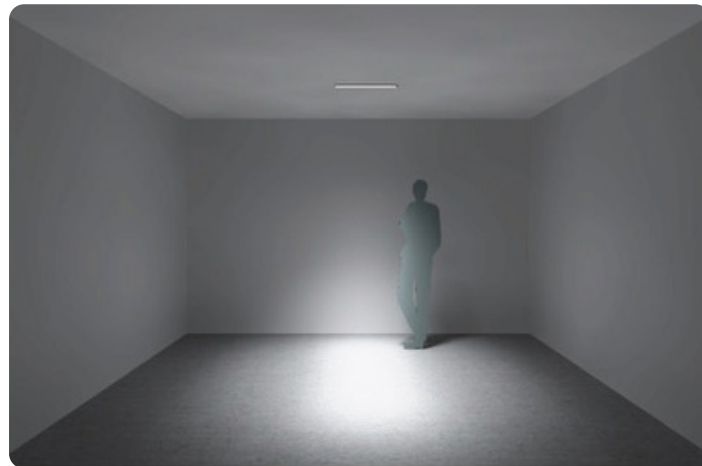
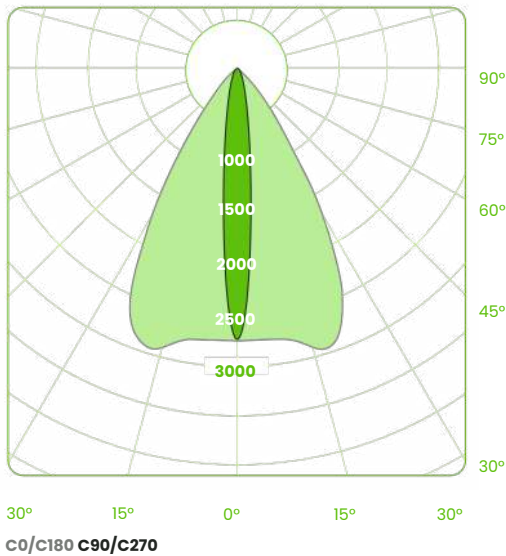
Photometric Code Example:  
927 (9 = CRI >90 | 27 = 2700K)

# LTwo® – BWN – batwing narrow constant voltage 48V – 12 W/m

White Black

CRI / CCT	Kelvin	280 mm 3,4 W	560 mm 6,9 W	840 mm 10,8 W	1120 mm 13,7 W	1400 mm 17,1 W	Lumen/Watt
927	2700K	340	681	1021	1361	1702	<b>99,4</b>
		295	589	884	1179	1473	<b>86,0</b>
930	3000K	369	738	1107	1476	1845	<b>107,7</b>
		320	639	959	1278	1598	<b>93,3</b>
935	3500K	351	701	1052	1402	1753	<b>102,4</b>
		304	607	911	1214	1518	<b>88,6</b>
940	4000K	369	738	1107	1476	1845	<b>107,7</b>
		320	639	959	1278	1598	<b>93,3</b>
850	5000K	441	882	1322	1763	2204	<b>128,7</b>
		382	763	1145	1527	1908	<b>111,4</b>

## light distribution



LTwo® black – Batwing narrow, 560mm

Mounting Method to be discussed upon order.  
 Custom solutions available.  
 Contact [sales@architecturalfx.co.uk](mailto:sales@architecturalfx.co.uk) for further information.