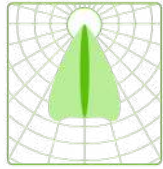


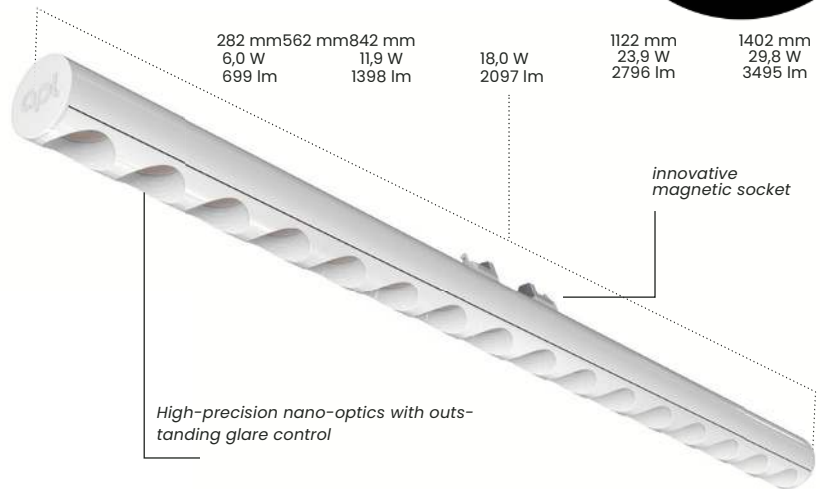
LTwo® – BWN – batwing narrow (linear) constant voltage 48V – 20 watt/m



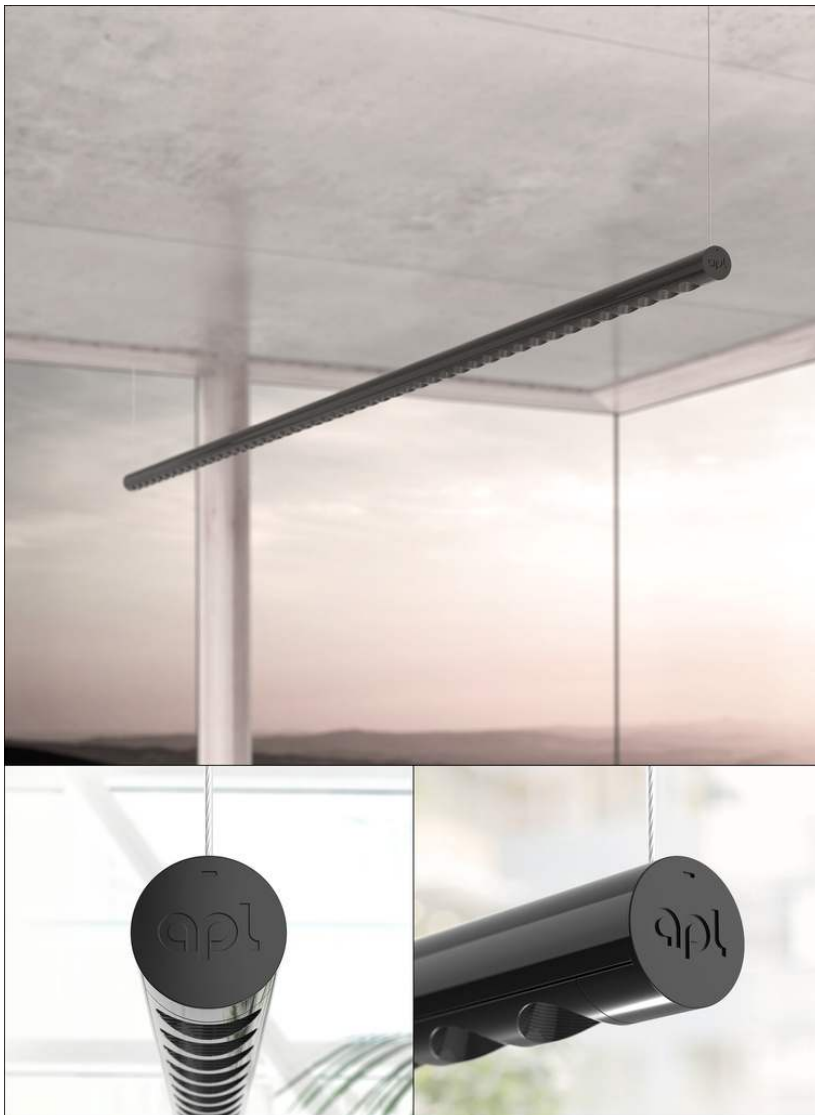
Ø 16,4 mm



total height
21,6 mm



reddot winner 2023



product description

LTwo® - Light Tube with Optics. High-precision Batwing narrow (BWN) optics with max. 3,495 lumen, based on the modular, miniaturised LTtwo® light source/luminaire system with 13 high- quality precision optics and extensive accessories, for all lighting applications. Coded socket, for safe operation of lamp luminaires with different operating currents in Constant Voltage or Constant Current. Very environ- mentally friendly due to minimal use of material (180g/m), inter- changeability, recyclability and high efficiency (up to 180 lm/W).

- LTwo® BWN - Batwing narrow (linear) - Constant Voltage 48V - 20W/m with 16.4 mm diameter
- Available in black (RAL9005) and white (RAL9016)
- Lengths: 282 mm, 562 mm, 842 mm, 1122 mm, 1402 mm
- Watts: 6,0 W; 11,9 W; 18,0 W; 23,9 W; 29,8 W
- Lumen @5000K: 699 lm, 1,398 lm, 2,097 lm, 2,796 lm, 3,495 lm
- Optical efficiency: 71 % (BB), 82 % (WW)
- UGR of 19.7 / 6.3 (BB), 20.5 / 15.9 (WW) @750lm
- Ideal for asymmetrical lighting tasks, e.g. in the area of corridor and pathway lighting
- Optimally suited for buildings and material integration of all kinds
- Dimmable (PWM)

Please note: Pendent version does not use magnetic connection system. wiring is fed through suspension cables -30% lumen output from standard data

Attention: all following optical and electronic data have a tolerance of +/- 10%.



legend on the last page

product features

Dimensions

16,4 mm diameter

Length (mm)

282 mm, 562 mm, 842 mm, 1122 mm, 1402 mm
6,0W; 11,9W; 18,0W; 23,9W; 29,8W
699 lm, 1398 lm, 2097 lm, 2796 lm, 3495 lm

Qty. LED

16 per 280 mm

LED Pitch

17,5 mm

CCT / CRI

2700K, 3000K, 3500K, 4000K (>90) 5000K (>80)

Binning

3 SDCM

Lifetime

60000h L80B10

Protection

class IP20 (indoor use only!)

Risk group

RG1

Operating Mode

Constant Voltage (CV)

Operating Voltage

48 V DC -2,0 / +1,75

Housing temperature (Tc)

min. -20° / max. +65°

Ambient temperature (Ta)

min. -20° / max. +45°

Storage temperature (Ts)

min. -20° / max. 85°

order code

Please enter code here:

Product	OP	NP	Optic	L	PC	C	LH	IP
APL LTwo®T5	CV	20	BWN				MAG	IP20
APL LTwo®T5	CV	20	BWN	280	927	BB	MAG	IP20
				560	930	WW		
				840	935			
				1120	940			
				1400	850			

example order code

APL LTwo®T5 CV 12 13 280 927 BB MAG IP20

OP operating system	CV Constant Voltage
NP nominal power per m	BB black profile – black antiglare
Optic optics	WW white profile – white antiglare
L length	
PC photometric code	
C housing colour	MAG magnetic luminaire holder
LH luminaire holder	
IP protection class	

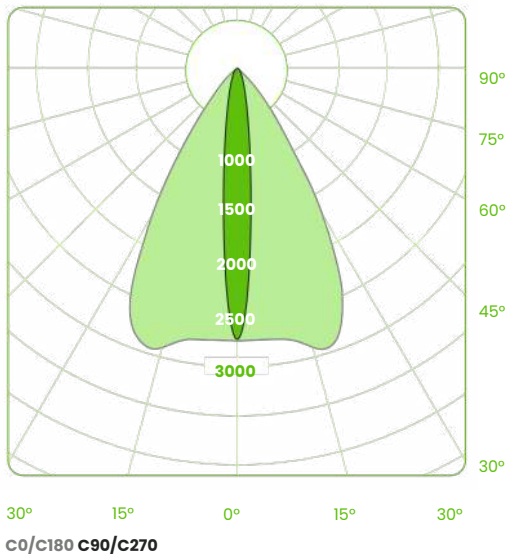
Photometric Code Example:
927 (9 = CRI >90 | 27 = 2700K)

LTwo® – Batwing narrow constant voltage 48V – 20 W/m

White Black

CRI / CCT	Kelvin	280 mm 6,0 W	560 mm 11,9 W	840 mm 17,9 W	1120 mm 23,9 W	1400 mm 29,8 W	Lumen/Watt
927	2700K	541	1082	1624	2165	2706	90,7
		469	937	1406	1874	2343	78,6
930	3000K	585	1171	1756	2342	2927	98,2
		507	1014	1521	2028	2535	85,0
935	3500K	558	1115	1673	2230	2788	93,5
		483	966	1448	1931	2414	80,9
940	4000K	582	1164	1747	2329	2911	97,6
		504	1008	1512	2016	2521	84,5
850	5000K	699	1398	2097	2796	3495	117,2
		605	1211	1816	2421	3026	101,5

light distribution



LTwo® black – Batwing narrow, 560mm

Mounting Method to be discussed upon order.
 Custom solutions available.
 Contact sales@architecturalfx.co.uk for further information.