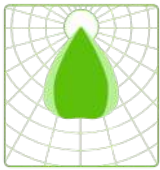


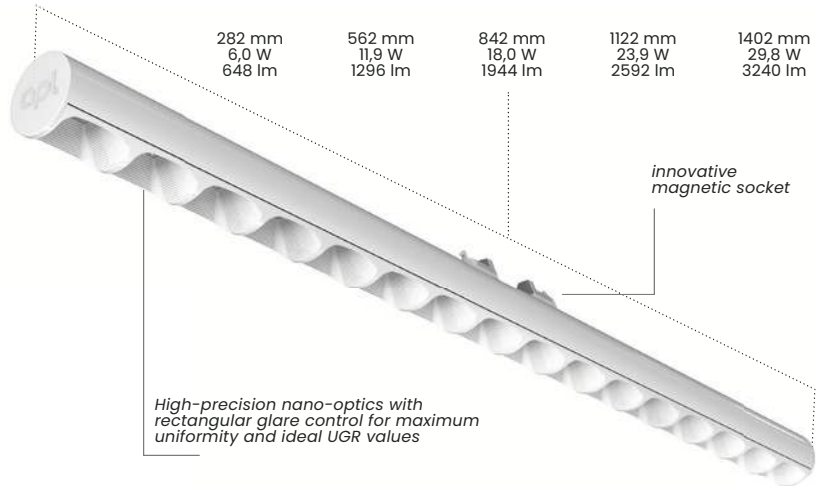
LTwo® – BWW – batwing wide constant voltage 48V – 20 watt/m



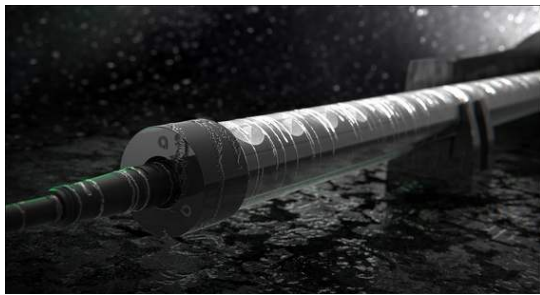
Ø 16,4 mm



total height
21,6 mm



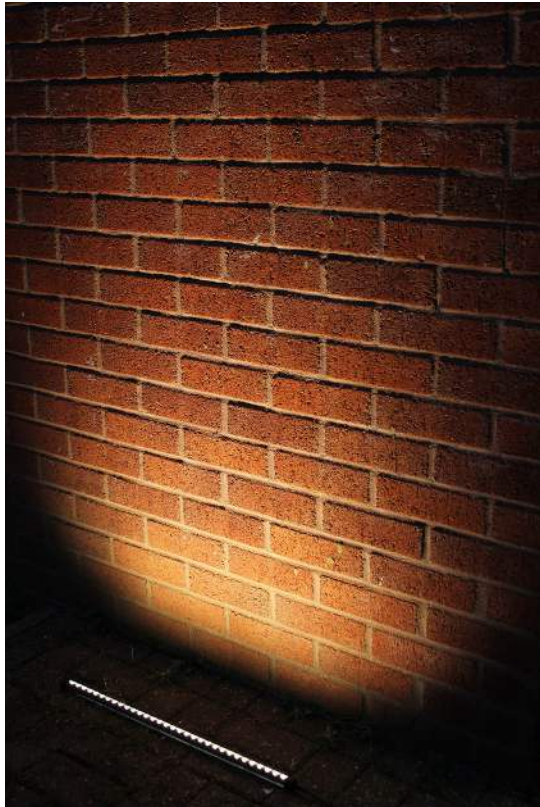
reddot winner 2023



product description

LTwo® - Light Tube with Optics. High-precision Batwing wide optics with rectangular glare control and max. 3,240 lumen, based on the modular, miniaturised LTwo® light source/luminaire system with 13 high-quality precision optics and extensive accessories, for all lighting applications. Coded socket, for safe operation of lamp luminaires with different operating currents in Constant Voltage or Constant Current. Very environmentally friendly due to minimal use material (180g/m), interchangeability, recyclability and high efficiency (up to 180 lm/W).

- LTwo® BWW - Batwing wide - Constant Voltage 48V - 20W/m with 16.4 mm diameter
- Available in black (RAL9005) and white (RAL9016)
- Lengths: 282 mm, 562 mm, 842 mm, 1122 mm, 1402 mm
- Watts: 6,0 W; 11,9 W; 18,0 W; 23,9 W; 29,8 W
- Lumen @5000K: 648 lm, 1,296 lm, 1,944 lm, 2,592 lm, 3,240 lm • Optical efficiency: 59 % (BB), 76 % (WW)
- UGR of 14 (BB), 16 (WW) @750lm
- Ideal for individual and uniform illumination, e.g. in the area of task lighting
- DIN EN 12464-1 conform
- Optimally suited for buildings and material integration of all kinds
- Dimmable (PWM)



Attention: the image above is the WallWasher fixture.

Please note: IP67 version does not use magnetic connection system Connection from one end only (Parallel wiring only) -30% lumen output from standard data

Attention: all following optical and electronic data have a tolerance of +/- 10%.



legend on the last page

product features

Dimensions

16,4 mm diameter

Length (mm)

282 mm, 562 mm, 842 mm, 1122 mm, 1402 mm
6,0W; 11,9W; 18,0W; 23,9W; 29,8W
648 lm, 1296 lm, 1944 lm, 2592 lm, 3240 lm

Qty. LED

16 per 280 mm

LED Pitch

17,5 mm

CCT / CRI

2700K, 3000K, 3500K, 4000K (>90) 5000K (>80)

Binning

3 SDCM

Lifetime

60000h L80B10

Protection

class IP20 (indoor use only!)

Risk group

RG1

Operating Mode

Constant Voltage (CV)

Operating Voltage

48 V DC -2,0 / +1,75

Housing temperature (Tc)

min. -20° / max. +65°

Ambient temperature (Ta)

min. -20° / max. +45°

Storage temperature (Ts)

min. -20° / max. 85°

order code

Please enter code here:

Product	OP	NP	Optic	L	PC	C	LH	IP
APL LTwo®T5	CV	20	BWW				MAG	IP20
APL LTwo®T5	CV	20	BWW	280	927	BB	MAG	IP20
				560	930	WW		
				840	935			
				1120	940			
				1400	850			

example order code

APL LTwo®T5 CV 12 13 280 927 BB MAG IP20

OP operating system	CV Constant Voltage
NP nominal power per m	BB black profile – black antiglare
Optic optics	WW white profile – white antiglare
L length	
PC photometric code	
C housing colour	MAG magnetic luminaire holder
LH luminaire holder	
IP protection class	

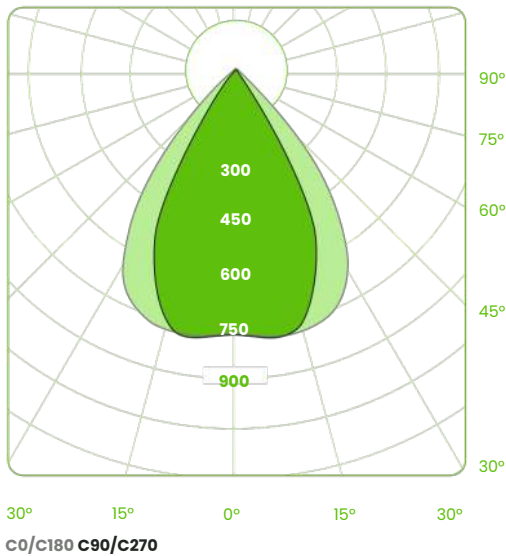
Photometric Code Example:
927 (9 = CRI >90 | 27 = 2700K)

LTwo® – Batwing wide constant voltage 48V – 20 W/m

White Black

CRI / CCT	Kelvin	280 mm 6,0 W	560 mm 11,9 W	840 mm 17,9 W	1120 mm 23,9 W	1400 mm 29,8 W	Lumen/Watt
927	2700K	502	1003	1505	2006	2508	84,1
		389	779	1168	1558	1947	65,3
930	3000K	543	1085	1628	2171	2713	91,0
		421	843	1264	1685	2106	70,6
935	3500K	517	1034	1550	2067	2584	86,6
		401	802	1204	1605	2006	67,3
940	4000K	540	1079	1619	2158	2698	90,5
		419	838	1257	1676	2095	70,2
850	5000K	648	1296	1944	2592	3240	108,6
		503	1006	1509	2012	2515	84,3

light distribution



LTwo® black – Batwing wide, 560mm

Mounting Method to be discussed upon order.
 Custom solutions available.
 Contact sales@architecturalfx.co.uk for further information.