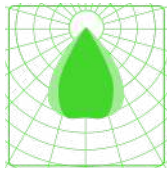


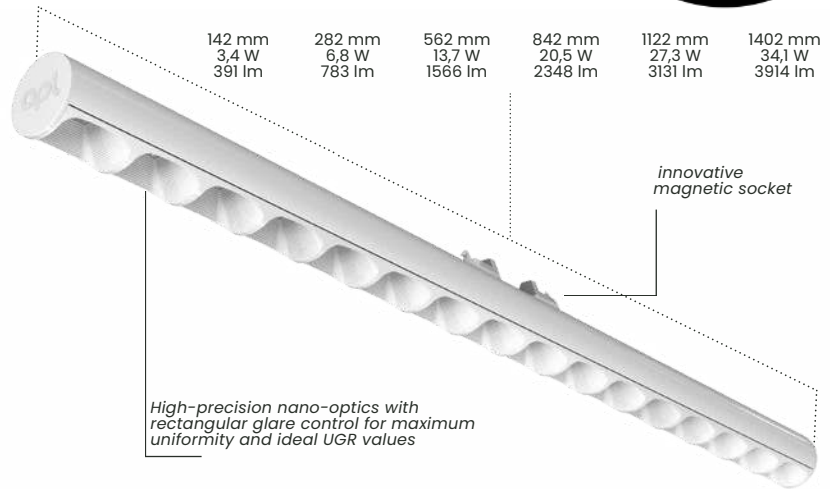
LTwo® – BWW – batwing wide constant current @600mA – 25 Watt/m



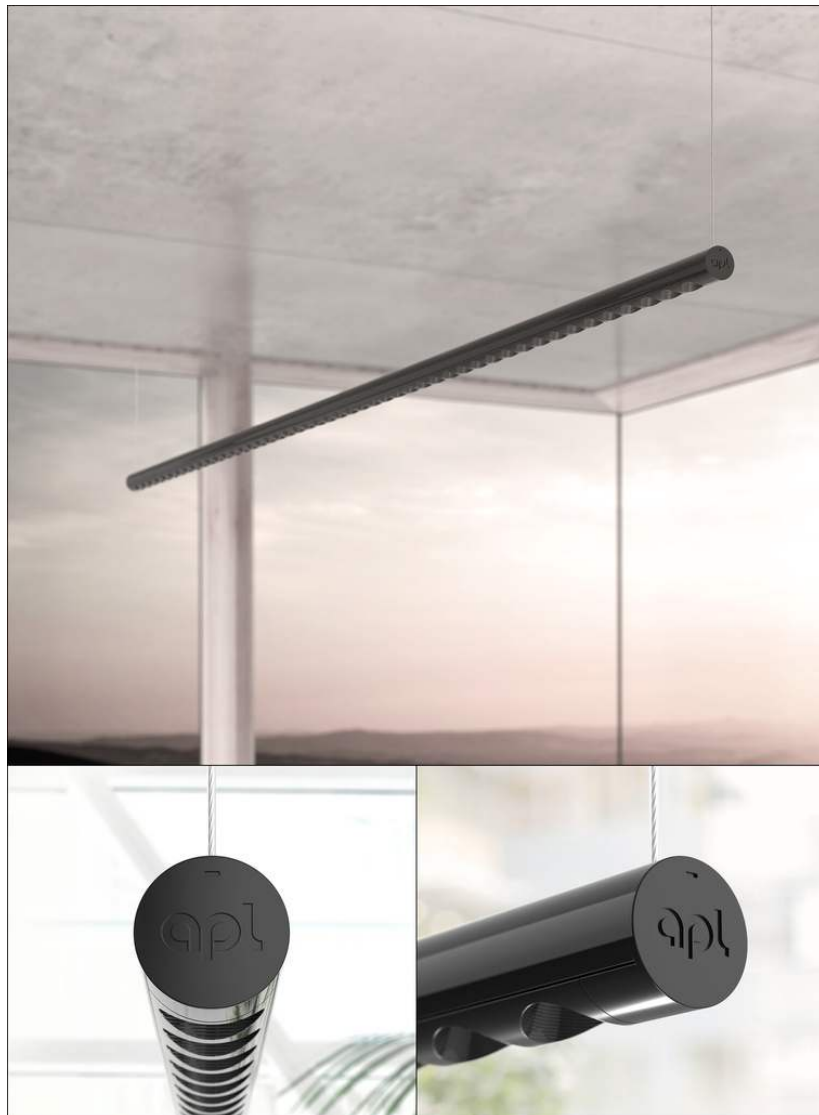
Ø 16,4 mm



total height
21,6 mm



reddot winner 2023



product description

LTwo® - Light Tube with Optics. High-precision Batwing wide optics with rectangular glare control and max. 3,914 lumen, based on the modular, miniaturised LTwo® light source/luminaire system with 13 high-quality precision optics and extensive accessories, for all lighting applications. Coded socket, for safe operation of lamp luminaires with different operating currents in Constant Voltage or Constant Current. Very environmentally friendly due to minimal use of material (180g/m), interchangeability, recyclability and high efficiency (up to 180 lm/W).

- LTwo® BWW - Batwing wide - Constant Current @600mA - 25 W/m with 16.4 mm diameter
- Available in black (RAL9005) and white (RAL9016)
- Lengths: 142 mm, 282 mm, 562 mm, 842 mm, 1122 mm and 1402 mm
- Watts: 3.4 W; 6.8 W; 13.7 W; 20.5 W; 27.3 W; 34.1 W
- Lumen @5000K: 391 lm, 783 lm, 1,566 lm, 2,348 lm, 3,131 lm, 3,914 lm
- Optical efficiency. 59 % (BB), 76 % (WW)
- UGR of 21.2 / 16.0 (BB), 21.3 / 16.1 (WW) @1,000 lm
- Ideal for individual and uniform illumination, e.g. in the area of task lighting
- DIN EN 12464-1 conform
- Optimally suited for buildings and material integration of all kinds
- Dimmable (linear)

Please note: Pendent version does not use magnetic connection system. wiring is fed through suspension cables -30% lumen output from standard data

Attention: all following optical and electronic data have a tolerance of +/- 10%.



legend on the last page

product features

Dimensions

16,4 mm diameter

Length (mm)

142 mm, 282 mm, 562 mm, 842 mm, 1122 mm, 1402 mm
3,4W; 6,8W; 13,7W; 20,5W; 27,3W; 34,1W
391 lm, 783 lm, 1566 lm, 2348 lm, 3131 lm, 3914 lm

Qty. LED

16 per 280 mm

LED Pitch

17,5 mm

CCT / CRI

2700K, 3000K, 3500K, 4000K (>90), 5000K (>80)

Binning

3 SDCM

Lifetime

60000h L80B10

Protection

class IP20 (indoor use only!)

Risk group

RG1

Operating Mode

Constant Current (CC)

Operating Voltage

</=600mA

Housing temperature (Tc)

min. -20° / max. +70°

Ambient temperature (Ta)

min. -20° / max. +35°

Storage temperature (Ts)

min. -20° / max. 85°

order code

Please enter code here:

Product	OP	NP	Optic	L	PC	C	LH	IP
APL LTwo®T5	CC	25	BWW				MAG	IP20
APL LTwo®T5	CC	25	BWW	140	927	BB	MAG	IP20
				280	930	WW		
				560	935			
				840	940			
				1120	850			
				1400				

example order code

APL LTwo®T5 CV 12 13 280 927 BB MAG IP20

OP operating system	CV Constant Voltage
NP nominal power per m	BB black profile – black antiglare
Optic optics	WW white profile – white antiglare
L length	
PC photometric code	
C housing colour	MAG magnetic luminaire holder
LH luminaire holder	
IP protection class	

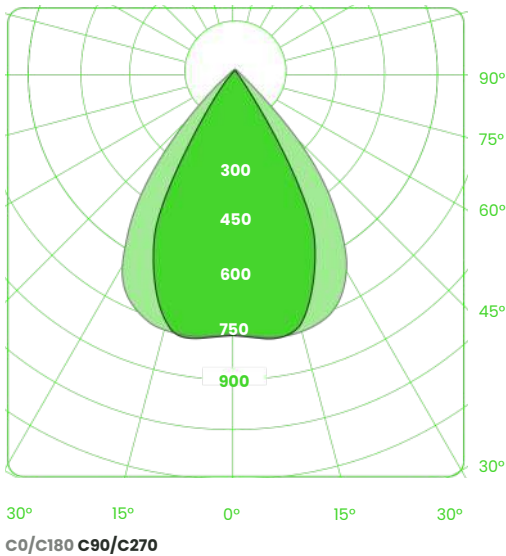
Photometric Code Example:
927 (9 = CRI >90 | 27 = 2700K)

LTwo® – batwing wide constant current – @600mA – 25 W/m

White Black

CRI/CCT	Kelvin	140 mm 3,4 W	280 mm 6,8 W	560 mm 13,7 W	840 mm 20,5 W	1120 mm 27,3 W	1400 mm 34,1 W	Effizienz lm/W
927	2700K	303	606	1212	1818	2424	3031	88,8
		235	471	941	1412	1882	2353	68,9
930	3000K	326	652	1303	1955	2607	3259	95,5
		253	506	1012	1518	2024	2530	74,1
935	3500K	312	623	1246	1870	2493	3116	91,3
		242	484	968	1451	1935	2419	70,9
940	4000K	326	652	1303	1955	2607	3259	95,5
		253	506	1012	1518	2024	2530	74,1
850	5000K	391	783	1566	2348	3131	3914	114,7
		304	608	1215	1823	2431	3039	89,0
Typ. Vf (V) – 600 mA		6,22	11,99	23,54	35,21	46,78	46,30	

light distribution



LTwo® black – Batwing wide, 560mm

Mounting Method to be discussed upon order.
 Custom solutions available.
 Contact sales@architecturalfx.co.uk for further information.