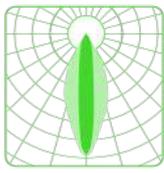


technical data sheet (IP67 version)

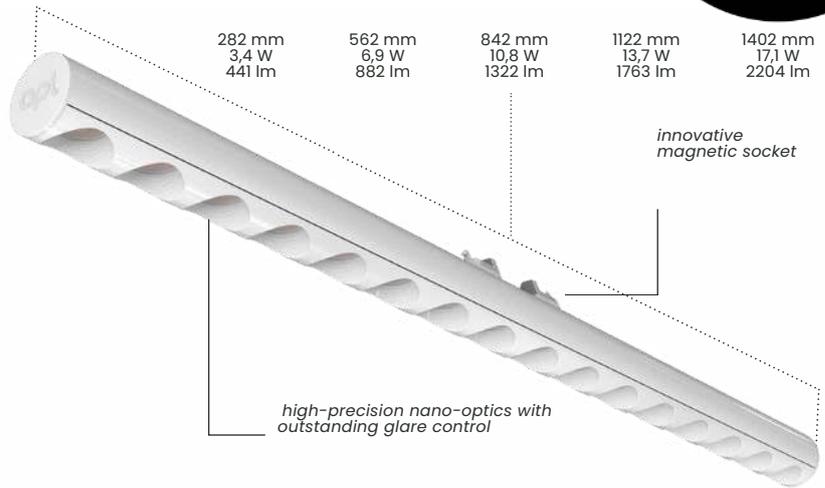
LTwo® – oval – 15° x 40° constant voltage 48V – 12 watt/m



Ø 16,4 mm



total height
21,6 mm

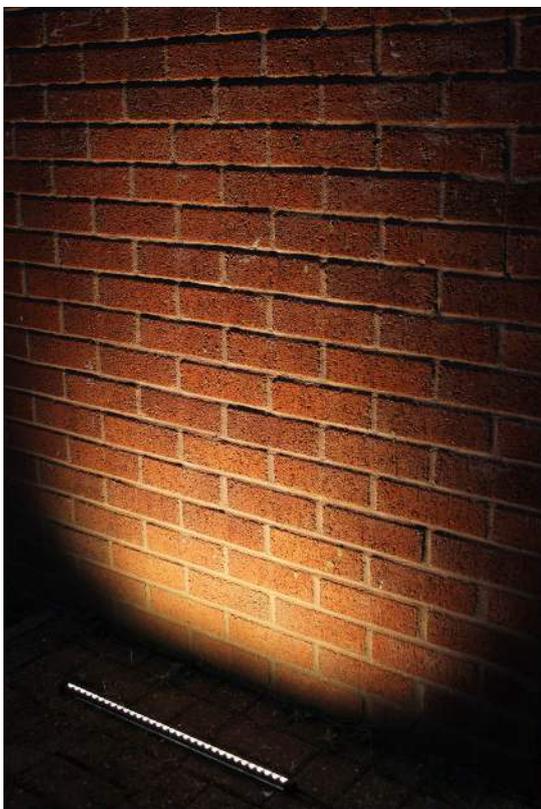


reddot winner 2023

product description

LTwo® - Light Tube with Optics. High-precision oval (15° x 40°) optics with max. 2,204 lumen, based on the modular, miniaturised LTwo® light source/luminaire system with 13 high-quality precision optics and extensive accessories, for all lighting applications. With newly developed, multifunctional lamp/luminaire holder for easy, tool-free, magnetic installation and angle adjustment in +/-20°, as well as locking. Coded socket, for safe operation of lamp luminaires with different operating currents in Constant Voltage or Constant Current. Very environmentally friendly due to minimal use of material (180g/m), interchangeability, recyclability and high efficiency (up to 180 lm/W).

- LTwo® oval - 15° x 40° - Constant Voltage 48V - 12W/m with 16.4 mm diameter
- Available in black (RAL9005) and white (RAL9016)
- Lengths: 282 mm, 562 mm, 842 mm, 1122 mm, 1402 mm
- Watts: 3,4 W; 6,9 W; 10,8 W; 13,7 W; 17,1 W
- Lumen @5000K: 441 lm, 882 lm, 1,322 lm, 1,763 lm, 2,204 lm
- Optical efficiency: 80 % (BB), 82 % (WW) -UGR of 8.5 / 15.2 (BB), 9.0 / 15.6 (WW) @1,000lm
- Ideal for highlighting and accentuating structures in architecture
- Optimally suited for buildings and material integration of all kinds
- Dimmable (PWM)
- Requires magnetic luminaire holder as necessary accessory



Please note: IP67 version does not use magnetic connection system Connection from one end only (Parallel wiring only) -30% lumen output from standard data

Attention: all following optical and electronic data have a tolerance of +/- 10%.

apl
All Purpose Lighting
Lahnstraße 30
45478 Mülheim a. d. Ruhr

+49 / (0)208 20777400
info@apl.ag
apl.ag

Architectural FX
Unit 16, The Business
Center, Molly Millars Lane,
Wokingham, RG41 2QY

+44(0)1344291536
sales@architecturalfx.co.uk
www.architecturalfx.co.uk

apl the ideal light



legend on the last page

product features

Dimensions 16,4 mm diameter

Length (mm)

282 mm, 562 mm, 842 mm, 1122 mm, 1402 mm
3,4W; 6,9W; 10,8W; 13,7W; 17,1W
441 lm, 882 lm, 1322 lm, 1763 lm, 2204 lm

Qty. LED

16 per 280 mm

LED Pitch

17,5 mm

CCT / CRI

2700K, 3000K, 3500K, 4000K (>90) 5000K (>80)

Binning

3 SDCM

Lifetime

60000h L80B10

Protection

class IP20 (indoor use only!)

Risk group

RG1

Operating Mode

Constant Voltage (CV)

Operating Voltage

48 V DC -2,0 / +1,75

Housing temperature (Tc)

min. -20° / max. +65°

Ambient temperature (Ta)

min. -20° / max. +45°

Storage temperature (Ts)

min. -20° / max. 85°

order code

Please enter code here:

Product	OP	NP	Optic	L	PC	C	LH	IP
APL LTwo®T5	CV	12	OVL				MAG	IP20
APL LTwo®T5	CV	12	OVL	280	927	BB	MAG	IP20
				560	930	WW		
				840	935			
				1120	940			
				1400	850			

example order code

APL LTwo®T5 CV 12 OVL 280 927 BB MAG IP20

OP operating system	CV Constant Voltage
NP nominal power per m	BB black profile – black antiglare
Optic Optics	WW white profile – white antiglare
L length	
PC photometric code	
C housing colour	MAG magnetic luminaire holder
LH luminaire holder	
IP protection class	

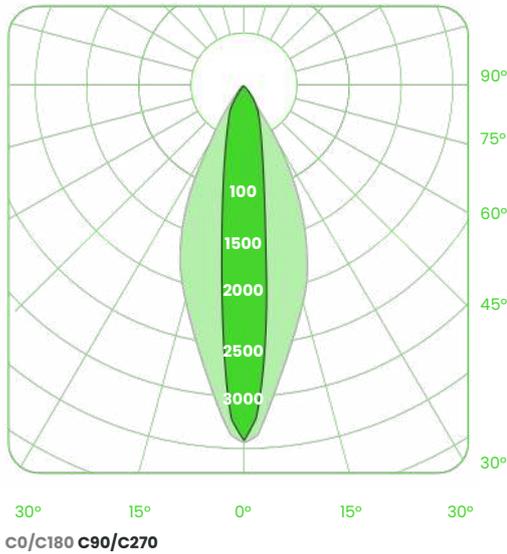
*Photometric code example:
927 (9 = CRI >90 | 27 = 2700K)

LTwo® – oval – 15° x 40° constant voltage 48V – 12 W/m

White Black

CRI / CCT	Kelvin	280 mm 3,4 W	560 mm 6,9 W	840 mm 10,8 W	1120 mm 13,7 W	1400 mm 17,1 W	Lumen/Watt
927	2700K	340	681	1021	1361	1702	99,4
		332	664	996	1328	1660	96,9
930	3000K	369	738	1107	1476	1845	107,7
		360	720	1080	1440	1800	105,1
935	3500K	351	701	1052	1402	1753	102,3
		342	684	1026	1368	1710	99,9
940	4000K	369	738	1107	1476	1845	107,7
		360	720	1080	1440	1800	105,1
850	5000K	441	882	1322	1763	2204	128,8
		430	860	1290	1720	2150	125,5

light distribution



LTwo® black - oval (15° x 40°), 560mm

Mounting Method to be discussed upon order.
 Custom solutions available.
 Contact sales@architecturalfx.co.uk for further information.