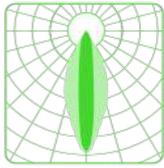


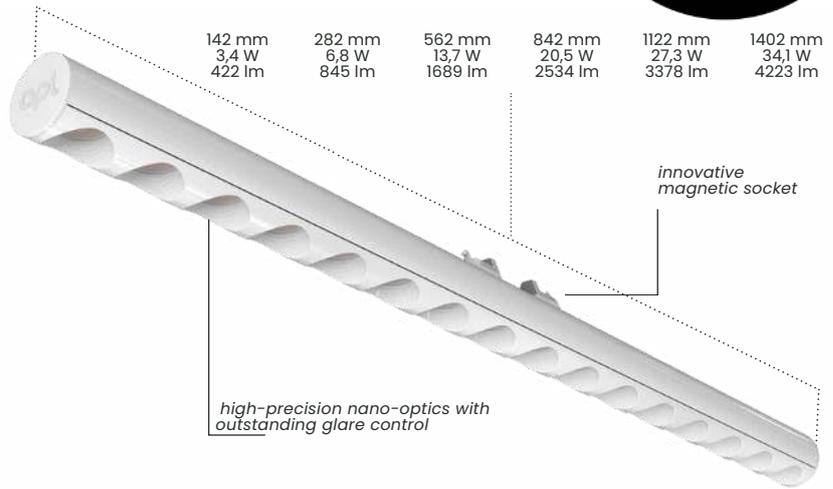
LTwo® – oval – 15° x 40° constant current @600mA – 25 Watt/m



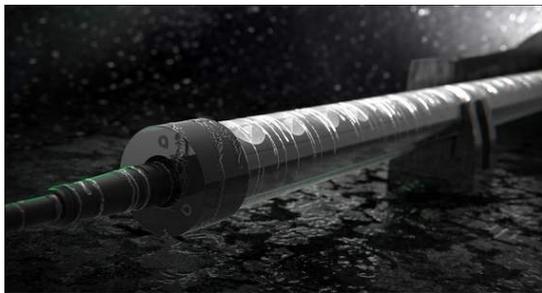
Ø 16,4 mm



total height 21,6 mm



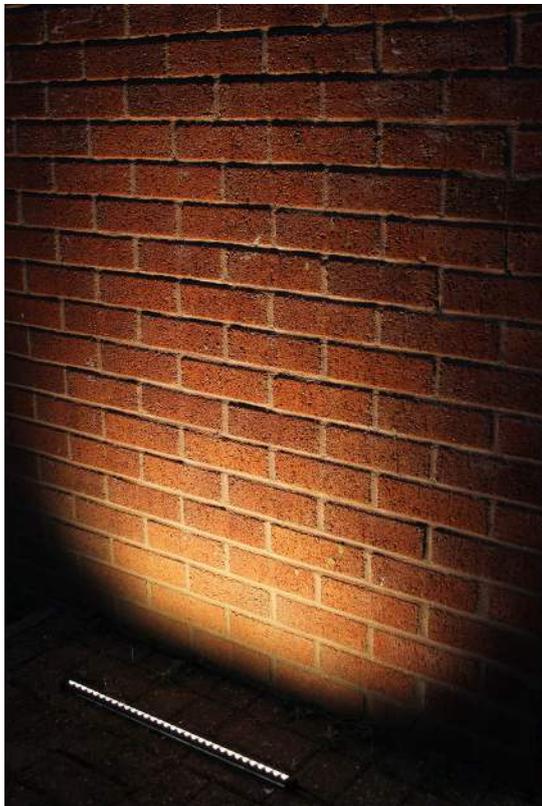
reddot winner 2023



product description

LTwo® - Light Tube with Optics. High-precision oval (15° x 40°) optics with max. 4,223 lumen, based on the modular, miniaturised LTwo® light source/luminaire system with 13 high-quality precision optics and extensive accessories, for all lighting applications. Coded socket, for safe operation of lamp luminaires with different operating currents in Constant Voltage or Constant Current. Very environmentally friendly due to minimal use of material (180g/m), interchangeability, recyclability and high efficiency (up to 180 lm/W).

- LTwo® oval - 15° x 40° - Constant Current @600mA - 25 W/m with 16.4 mm diameter
- Available in black (RAL9005) and white (RAL9016)
- Lengths: 142 mm, 282 mm, 562 mm, 842 mm, 1122 mm and 1402 mm
- Watts: 3.4 W; 6.8 W; 13.7 W; 20.5 W; 27.3 W; 34.1 W
- Lumen @5000K: 422 lm, 845 lm, 1,689 lm, 2,534 lm, 3,378 lm, 4,223 lm
- Optical efficiency: 80 % (BB), 82 % (WW)
- UGR of 8.7 / 15.4 (BB), 15.2 / 18.2 (WW) @1,000 lm
- Ideal for highlighting and accentuating structures in architecture
- Optimally suited for buildings and material integration of all kinds
- Dimmable (linear)



Attention: the image above is the WallWasher fixture.

Please note: IP67 version does not use magnetic connection system Connection from one end only (Parallel wiring only) -30% lumen output from standard data

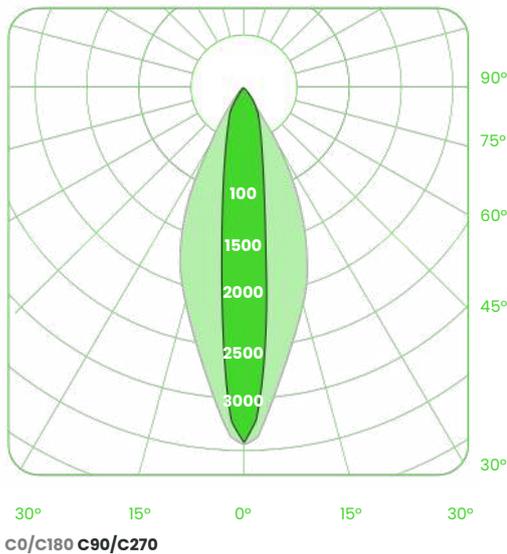
Attention: all following optical and electronic data have a tolerance of +/- 10%.

LTwo® – oval – 15° x 40° constant current – @600mA – 25 W/m

White Black

CRI / CCT	Kelvin	140 mm 3,4 W	280 mm 6,8 W	560 mm 13,7 W	840 mm 20,5 W	1120 mm 27,3 W	1400 mm 34,1 W	Effizienz lm/W
927	2700K	327	654	1308	1962	2616	3270	95,8
		319	638	1276	1914	2552	3190	93,5
930	3000K	352	703	1406	2109	2813	3516	103,0
		343	686	1372	2058	2744	3430	100,5
935	3500K	336	672	1345	2017	2690	3362	98,5
		328	656	1312	1968	2624	3280	96,1
940	4000K	352	703	1406	2109	2813	3516	103,0
		343	686	1372	2058	2744	3430	100,5
850	5000K	422	845	1689	2534	3378	4223	123,7
		412	824	1648	2472	3296	4120	120,7
Typ. Vf (V) – 600 mA		6,22	11,99	23,54	35,21	46,78	46,30	

light distribution



LTwo® black - oval (15° x 40°), 560mm

Mounting Method to be discussed upon order.
Custom solutions available.
Contact sales@architecturalfx.co.uk for further information.