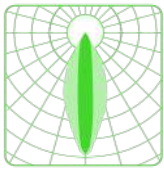


technical data sheet (Pendent version)

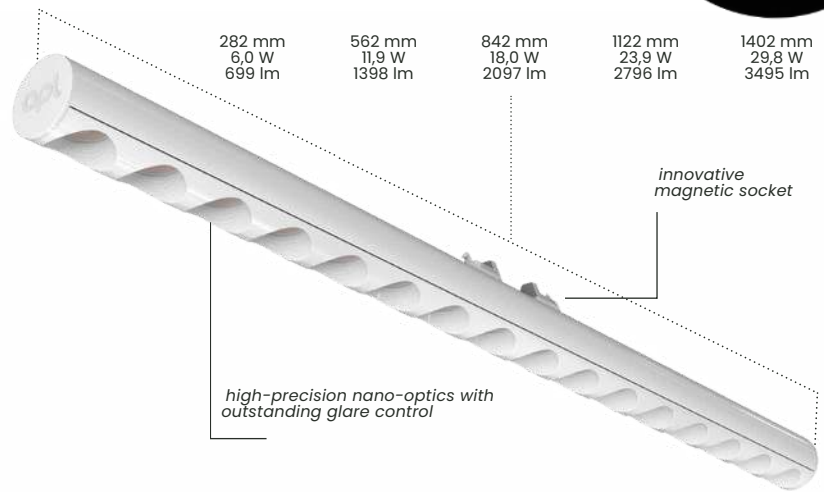
# LTwo® – oval – 15° x 40° constant voltage 48V – 20 watt/m



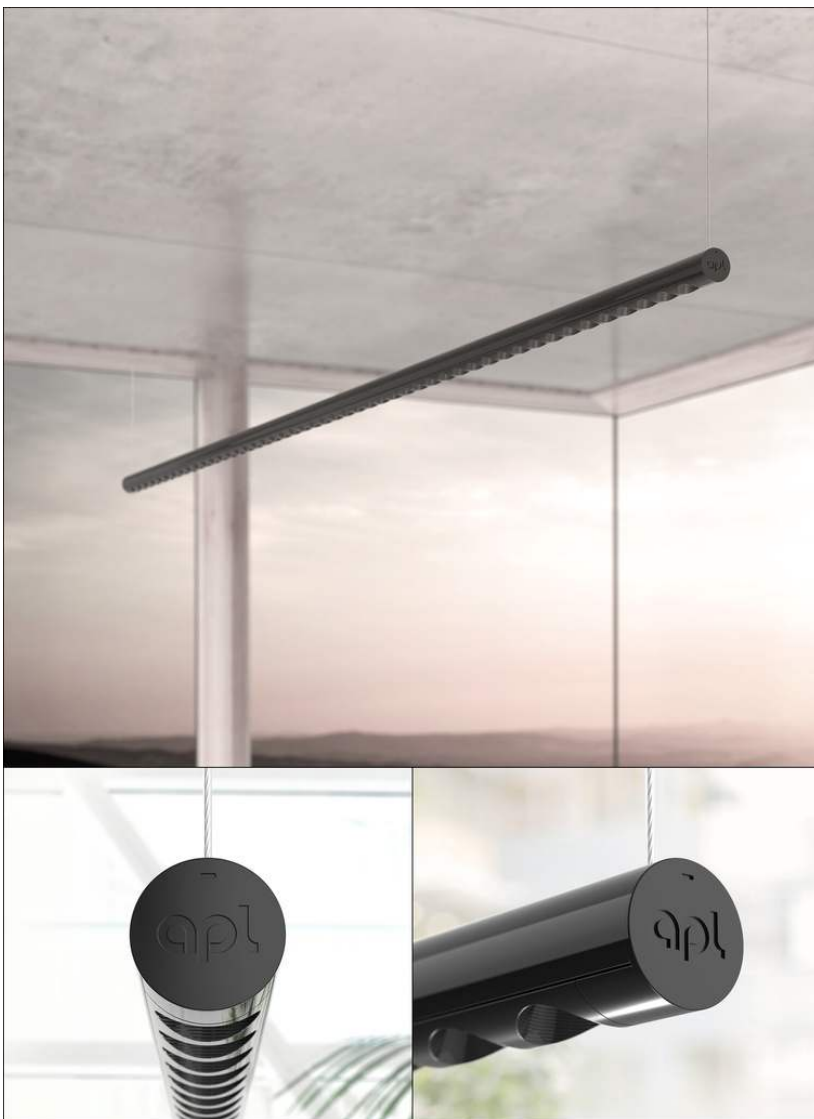
Ø 16,4 mm



total height  
21,6 mm



reddot winner 2023



## product description

LTwo® - Light Tube with Optics. High-precision oval (15° x 40°) optics with max. 3,495 lumen, based on the modular, miniaturised LTtwo® light source/luminaire system with 13 high-quality precision optics and extensive accessories, for all lighting applications. With newly developed, multifunctional lamp/luminaire holder for easy, tool-free, magnetic installation and angle adjustment in +/-20°, as well as locking. Coded socket, for safe operation of lamp luminaires with different operating currents in Constant Voltage or Constant Current. Very environmentally friendly due to minimal use of material (180g/m), interchangeability, recyclability and high efficiency (up to 180 lm/W).

- LTtwo® oval - 15° x 40° - Constant Voltage 48V - 20W/m with 16.4 mm diameter
- Available in black (RAL9005) and white (RAL9016)
- Lengths: 282 mm, 562 mm, 842 mm, 1122 mm, 1402 mm
- Watts: 6.0 W; 11.9 W; 18.0 W; 23.9 W; 29.8 W
- Lumen @5000K: 699 lm, 1,398 lm, 2,097 lm, 2,796 lm, 3,495 lm
- Optical efficiency: 80 % (BB), 82 % (WW)
- UGR of 8.5 / 15.2 (BB), 15.1 / 18.0 (WW) @1,000lm
- Ideal for highlighting and accentuating structures in architecture
- Optimally suited for buildings and material integration of all kinds.
- Dimmable (PWM)

Please note: Pendent version does not use magnetic connection system. wiring is fed through suspension cables -30% lumen output from standard data

Attention: all following optical and electronic data have a tolerance of +/- 10%.

apl  
All Purpose Lighting  
Lahnstraße 30  
45478 Mülheim a. d. Ruhr

+49 / (0)208 20777400  
info@apl.ag  
apl.ag

Architectural FX  
Unit 16, The Business  
Center, Molly Millars Lane,  
Wokingham, RG41 2QY

+44(0)1344291536  
sales@architecturalfx.co.uk  
www.architecturalfx.co.uk

apl the ideal light



legend on the last page

## product features

**Dimensions** 16,4 mm diameter

### Length (mm)

282 mm, 562 mm, 842 mm, 1122 mm, 1402 mm  
6,0W; 11,9W; 18,0W; 23,9W; 29,8W  
699 lm, 1398 lm, 2097 lm, 2796 lm, 3495 lm

### Qty. LED

16 per 280 mm

### LED Pitch

17,5 mm

### CCT / CRI

2700K, 3000K, 3500K, 4000K (>90) 5000K (>80)

### Binning

3 SDCM

### Lifetime

60000h L80B10

### Protection

class IP20 (indoor use only!)

### Risk group

RG1

### Operating Mode

Constant Voltage (CV)

### Operating Voltage

48 V DC -2,0 / +1,75

### Housing temperature (Tc)

min. -20° / max. +70°

### Ambient temperature (Ta)

min. -20° / max. +35°

### Storage temperature (Ts)

min. -20° / max. 85°

## order code

Please enter code here:

Product	OP	NP	Optic	L	PC	C	LH	IP
APL LTwo®T5	CV	20	OVL				MAG	IP20
APL LTwo®T5	CV	20	OVL	280	927	BB	MAG	IP20
				560	930	WW		
				840	935			
				1120	940			
				1400	850			

### example order code

APL LTwo®T5 CV 20 OVL 280 927 BB MAG IP20

<b>OP</b> operating system	<b>CV</b> Constant Voltage
<b>NP</b> nominal power per m	<b>BB</b> black profile – black antiglare
<b>Optic</b> optics	<b>WW</b> white profile – white antiglare
<b>L</b> length	<b>MAG</b> magnetic luminaire holder
<b>PC</b> photometric code *	
<b>C</b> housing colour	
<b>LH</b> luminaire holder	
<b>IP</b> protection class	

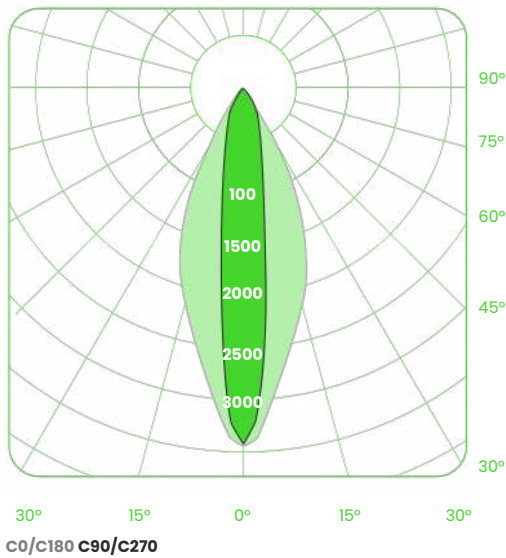
\* Photometric Code example:  
927 (9 = CRI >90 | 27 = 2700K)

# LTwo® – oval – 15° x 40° constant voltage 48V – 20 W/m

White Black

CRI / CCT	Kelvin	280 mm 6,0 W	560 mm 11,9 W	840 mm 18,0 W	1120 mm 23,9 W	1400 mm 29,8 W	Lumen/Watt
927	2700K	541	1082	1624	2165	2706	<b>90,7</b>
		528	1056	1584	2112	2640	<b>88,5</b>
930	3000K	585	1171	1756	2342	2927	<b>98,2</b>
		571	1142	1714	2285	2856	<b>95,7</b>
935	3500K	558	1115	1673	2230	2788	<b>93,5</b>
		544	1088	1632	2176	2720	<b>91,2</b>
940	4000K	582	1164	1747	2329	2911	<b>97,6</b>
		568	1132	1704	2276	2840	<b>95,2</b>
850	5000K	699	1398	2097	2796	3495	<b>117,2</b>
		682	1364	2046	2728	3410	<b>114,3</b>

## light distribution



LTwo® black - oval (15° x 40°), 560mm

Mounting Method to be discussed upon order.  
 Custom solutions available.  
 Contact [sales@architecturalfx.co.uk](mailto:sales@architecturalfx.co.uk) for further information.