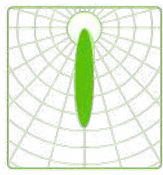


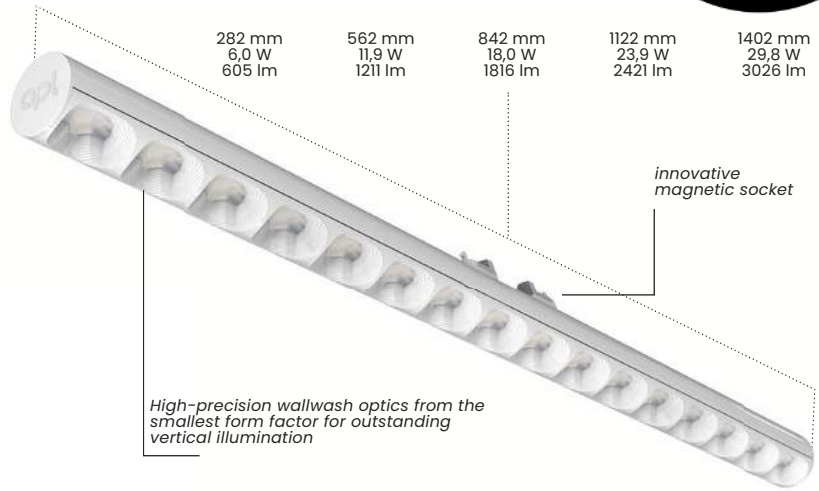
LTwo® – WW – wallwash constant voltage 48V – 20 watt/m



Ø 16,4 mm



total height
21,6 mm



282 mm
6,0 W
605 lm

562 mm
11,9 W
1211 lm

842 mm
18,0 W
1816 lm

1122 mm
23,9 W
2421 lm

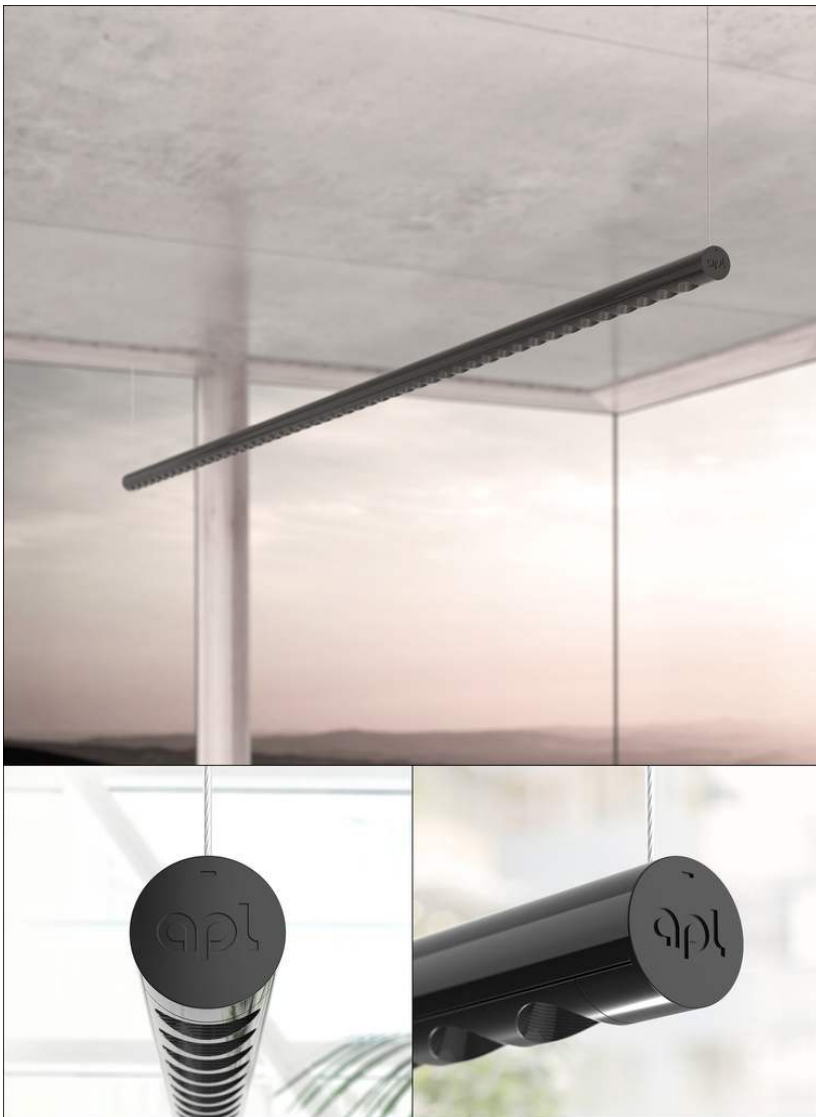
1402 mm
29,8 W
3026 lm

innovative
magnetic socket

High-precision wallwash optics from the
smallest form factor for outstanding
vertical illumination



reddot winner 2023



product description

LTwo® - Light Tube with Optics. High-performance Wallwasher with max. 3,026 lumen, based on the modular, miniaturised LTwo® light source/luminaire system with 13 high-quality precision optics and extensive accessories, for all lighting applications. Coded socket, for safe operation of lamp luminaires with different operating currents in Constant Voltage or Constant Current. Very environmentally friendly due to minimal use of material (180g/m), interchangeability, recyclability and high efficiency (up to 180 lm/W).

- LTwo® WW - Wallwash - Constant Voltage 48V - 20W/m with 16.4 mm diameter
- Available in black (RAL9005) and white (RAL9016)
- Lengths: 280 mm, 560 mm, 840 mm, 1120 mm, 1400 mm
- Watts: 6,0 W; 11,9 W; 18,0 W; 23,9 W; 29,8 W
- Lumen @5000K: 605 lm, 1,211 lm, 1,816 lm, 2,421 lm, 3,026 lm
- Optical efficiency: 68 % (BB), 71 % (WW)
- Ideal for vertical wall illumination, for holistic architectural lighting concepts
- Optimally suited for buildings and material integration of all kinds
- Dimmable (PWM)

Please note: Pendent version does not use magnetic connection system. wiring is fed through suspension cables -30% lumen output from standard data

Attention: all following optical and electronic data have a tolerance of +/- 10%.



legend on the last page

product features

Dimensions

16,4 mm diameter

Length (mm)

282 mm, 562 mm, 842 mm, 1122 mm, 1402 mm
6,0W; 11,9W; 18,0W; 23,9W; 29,8W
605 lm, 1211 lm, 1816 lm, 2421 lm, 3026 lm

Qty. LED

16 per 280 mm

LED Pitch

17,5 mm

CCT / CRI

2700K, 3000K, 3500K, 4000K (>90) 5000K (>80)

Binning

3 SDCM

Lifetime

60000h L80B10

Protection

class IP20 (indoor use only!)

Risk group

RG1

Operating Mode

Constant Voltage (CV)

Operating Voltage

48 V DC -2,0 / +1,75

Housing temperature (Tc)

min. -20° / max. +65°

Ambient temperature (Ta)

min. -20° / max. +45°

Storage temperature (Ts)

min. -20° / max. 85°

order code

Please enter code here:

Product	OP	NP	Optic	L	PC	C	LH	IP
APL LTwo®T5	CV	20	WW				MAG	IP20
APL LTwo®T5	CV	20	WW	280	927	BB	MAG	IP20
				560	930	WW		
				840	935			
				1120	940			
				1400	850			

example order code

APL LTwo®T5 CV 12 13 280 927 BB MAG IP20

OP operating system	CV Constant Voltage
NP nominal power per m	BB black profile – black antiglare
Optic optics	WW white profile – white antiglare
L length	
PC photometric code	
C housing colour	MAG magnetic luminaire holder
LH luminaire holder	
IP protection class	

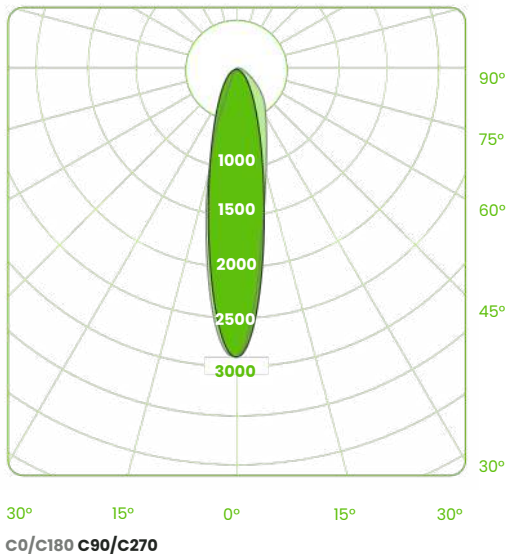
Photometric Code Example:
927 (9 = CRI >90 | 27 = 2700K)

LTwo® – WW – wallwash constant voltage 48V – 20 W/m

White Black

CRI / CCT	Kelvin	280 mm 6,0 W	560 mm 11,9 W	840 mm 17,9 W	1120 mm 23,9 W	1400 mm 29,8 W	Lumen/Watt
927	2700K	469	937	1406	1874	2343	78,6
		449	898	1346	1795	2244	75,2
930	3000K	507	1014	1521	2028	2535	85,0
		486	971	1457	1942	2428	81,4
935	3500K	483	966	1448	1931	2414	80,9
		462	925	1387	1850	2312	77,5
940	4000K	504	1008	1512	2016	2521	84,5
		483	966	1448	1931	2414	80,9
850	5000K	605	1211	1816	2421	3026	
		580	1159	1739	2319	2899	97,2

light distribution



LTwo® black - Wallwash, 560mm

Mounting Method to be discussed upon order.
 Custom solutions available.
 Contact sales@architecturalfx.co.uk for further information.