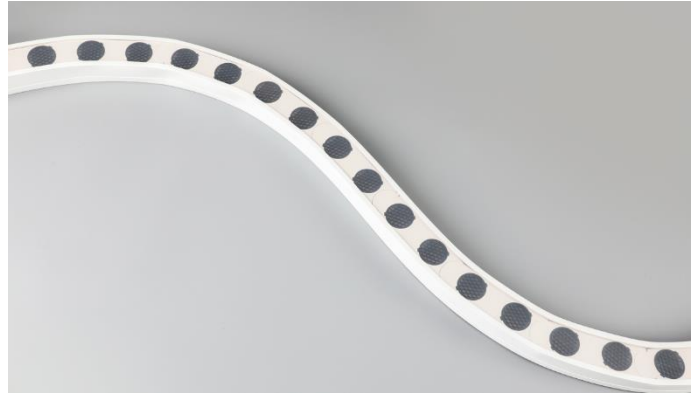


ARCHITECTURAL FX

Technicians of Light

Neon 3D 2534 Honeycomb Optiq IP67



General Information

Flexible LED strip in UV, chlorine, saltwater, solvent and heat-resistant special silicone for indoor and outdoor use
IP67 (Standard)

White/Black or Black/Black

IK07

2700k, 3000k, 3500k, 4000k (Finished CCT)

25w/m

250mm increments 1500 lumens per m

CRI >80/90

Optiqs 10°, 15°, 20°, 25°, 30°, 40°, 25° x 40°

Width 34mm x Height 25mm

Bending diameter: Top Bend 200mm, Side Bend 280mm, Twist Max 360° per 1m

Max Single length 5m, in-feeder connector and an end cap as provided

Customized length with sealed connectors on request.

Constant light output and extended lifetime due to an integrated constant current source on the circuit board.

Electrical & output data

Input Voltage 24 Volt DC Constant Voltage (23 V min, 25 V max)

Working Temperature range: -20 to +55°C

Storage temperature Ts min = 0°C, Ts max = 60°C

Dimmable – Mains (Triac), 0-10v, Dali, DMX

Protected against electrostatic discharge +/- 2,000 V

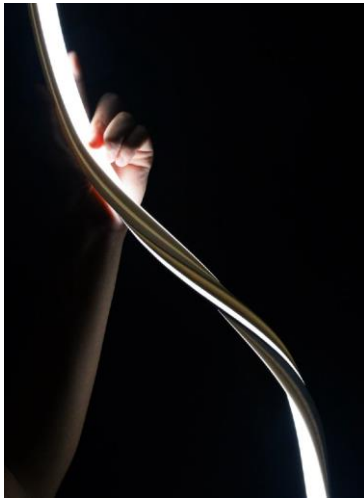
Lifetime and Warranty (See full Architectural FX total system warranty for more detail)

Lifespan L70 50,000 hours Outdoor 50,000hrs Indoor

Product availability lifetime – 3 years from last order

End of Lifetime guarantee 5 years

The above data are typical values. Due to tolerances in the production process and electrical components, Values for light output and electrical power can vary up to 10%.



Maximum bending diameter 300mm
 Maximum Twist 360°
 (See Installation manual for more detail)

Generic Product	Product Type	Bend Orientation	Colour (Finished CCT)	w/m	Mounting Accessory	Cable Entry
Neon	3D 2534	All (Side, Top, Twist)	2700k	25w	MP - Mounting Profile	End (Standard)
Neon	3D 2534	All (Side, Top, Twist)	3000k	25w	MC - Mounting Clip	Side
Neon	3D 2534	All (Side, Top, Twist)	4000k	25w	FMP - Flexible Mounting Profile	Top/Bottom

Add Beam angle to Product code **10°, 15°, 20°, 25°, 30°, 40°, 25° x 40°**

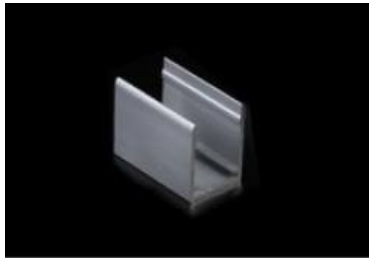
Example:

Neon 3D 2534 Honeycomb Optiq 2700k 14w 10° IP67 (Custom length to suit project to be advised)



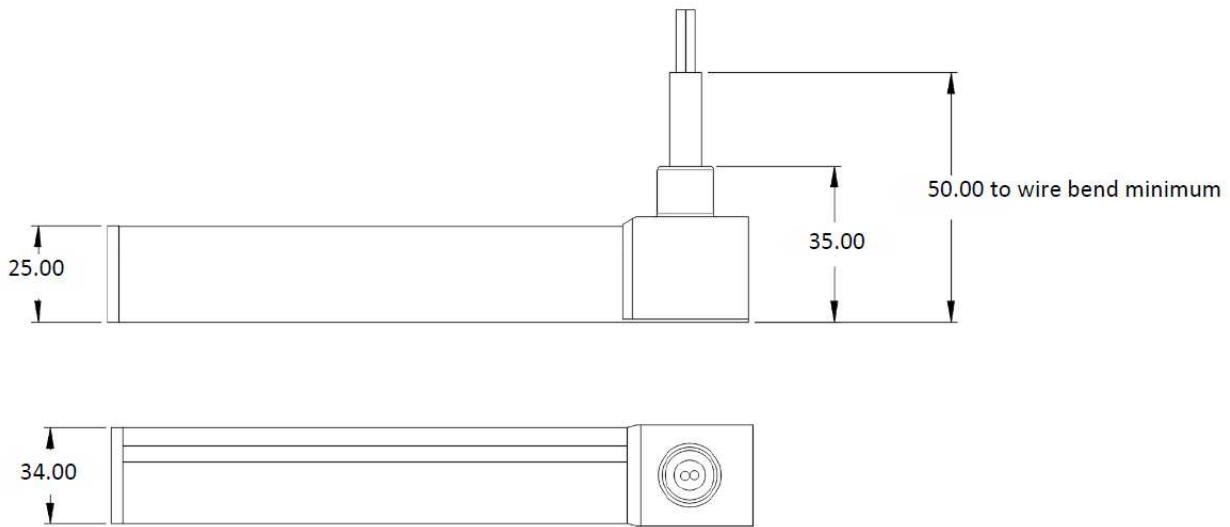
Mounting and connecting accessories

Aluminium mounting profile 2000mm or mounting clip 50mm



(Rotatable mounting bracket available on request)

Side Left, Side Right or Rear cable entry IP67 (Factory moulded)



End cable entry IP67 (Factory moulded)

